

SA Parker Sporlan SEE-ALL

Moisture liquid line sight glass

Parker Sporlan SEE-ALL moisture and liquid indicator combines two functions of moisture and liquid indicator into a single economical product.

It takes the guess work out of servicing refrigeration and air conditioning equipment.

The indicator is a porous filter paper impregnated with a chemical salt that is sensitive to moisture.

The plated steel and copper fittings are copper to the heavily copper plated steel body. A glass disc is inserted in the body and heated just to the melting point under carefully controlled conditions.

The indicator is inserted from the back and held in place with a slotted cylinder.

See-All sight glasses with 1/4" through 1-1/8" ODF Solder connections are constructed with long fittings made from either heavily copper plated steel or copper.

However we recommend to protect the glass by calorie discharger **TB2 Thermal Block™** or to wrap it with a damp cloth. The indicator can be easily removed and replaced if necessary.

SEE-ALL moisture indicators with their large bezels and very sensible sensors help the users to check cleanness and dryness of systems and prevent failure of compressors.



Benefits

Max Working Pressure	44.8 bar (650 psig)
Temperature Range	-40°C up to +66°C

● **Coating:** Polyester coating giving protection to 500 hours salt spray

● **Approvals:** UL file no. SA 3182
PED 97/23/EC - article 3.3

For all requests, consult your nearest Parker Sporlan Wholesaler or contact us on: racecustomerservice@parker.com / www.parker.com/race

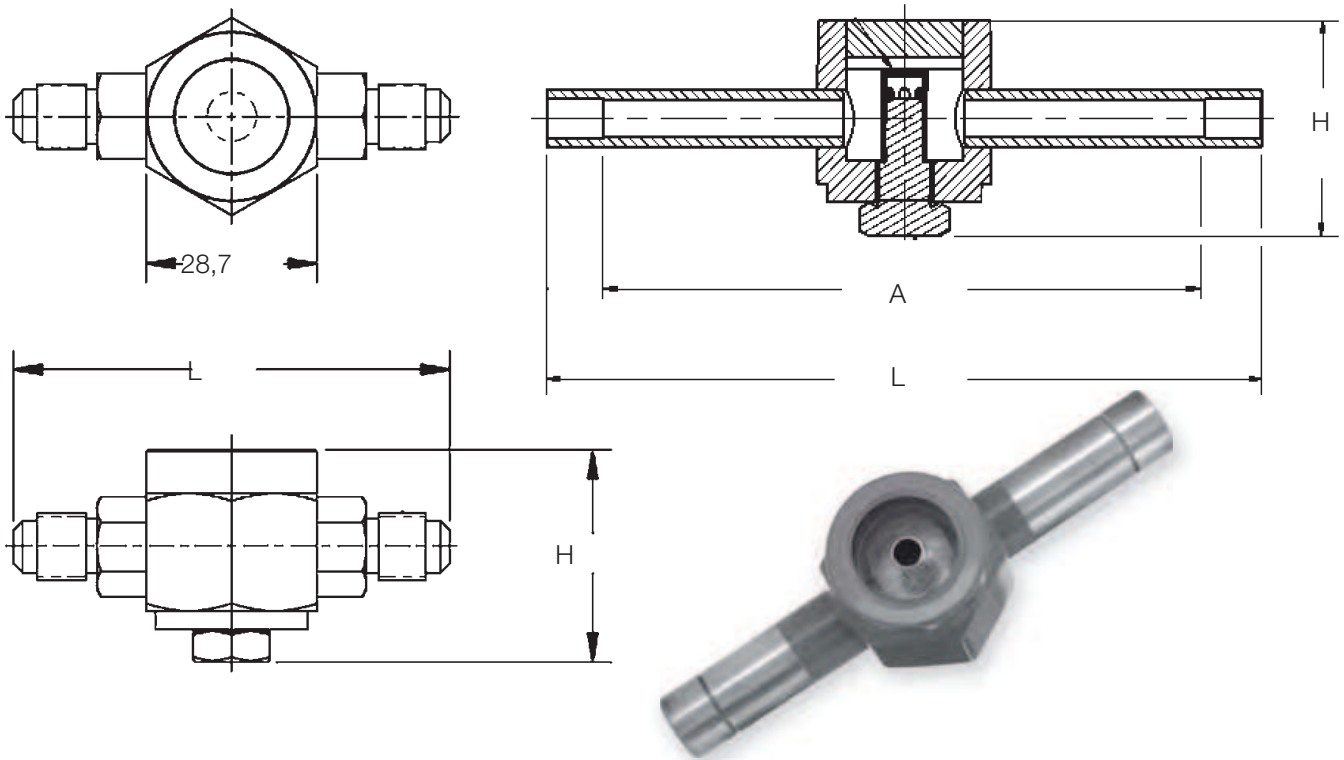
Technical Data

Part Number	Type	Connections		Dimensions (mm)			Weight Kg
		SAE	ODF	L	A	H	
700000	SA-12	1/4"		72.9		34.9	0.20
700078	SA-13	3/8"		85.6		34.9	0.20
700247	SA-14	1/2"		97.0		41.3	0.28
700403	SA-15	5/8"		104.6		41.3	0.28
700026	SA-12FM	1/4"		65.0		34.9	0.20
700091	SA-13FM	3/8"		75.4		34.9	0.20
700260	SA-14FM	1/2"		87.4		41.3	0.28
700195	SA-13U	3/8"		80.0		34.9	0.20
700364	SA-14U	1/2"		93.5		41.3	0.28
700468	SA-15U	5/8"		99.1		41.3	0.28
700052	SA-12S		1/4"	117.6	98.8	34.9	0.20
700130	SA-13S		3/8"	117.8	95.2	34.9	0.20
700299	SA-14S		1/2"	124.0	97.3	41.3	0.28
700416	SA-15S		5/8"	124.0	92.5	41.3	0.28
700507	SA-17S		7/8"	160.5	124.8	53.7	0.68
700546	SA-19S		1-1/8"	160.5	116.7	53.7	0.68
700585	SA-211		1-3/8"	203.2	153.9	68.2	0.68
700598	SA-213		1-5/8"	203.2	147.8	76.5	0.68
700611	SA-217		2-1/8"	203.2	139.7	89.5	0.68

FM = SAE Female/Male

U = Male Flare X Swivel Nut

S = ODF (Inch)



Accurate at the time of going to print.

For all requests, consult your nearest Parker Sporlan Wholesaler or contact us on:
racecustomerservice@parker.com / www.parker.com/race