

Ball Valves - Bi-Flow Ball Valves

Parker Bi-Flow Ball Valves are available in a range of Inch Sizes from 1/4" to 4.1/8", metric from 6-108 mm but also in Schraeder valve version.



Cap: The brass cap thread broached in three places to ensure adequate venting when the cap is removed.

The cap is also tagged to accommodate wiring and sealing where legislation demands.

Ball features: A small hole in one sealing face of the ball prevents refrigerant being locked within the ball when closed.

It also allows the ball to exert a greater force against the Teflon Ball seal when closed, giving greater close-off security.

Applications:

- Supermarkets
- Refrigeration

Benefits:

- Compact
- Reliable
- Vented cap
- Long life
- Complete range from to 1/4" to 4.1/8"
- Metric from 6 mm to 108 mm

Parker Sporlan reserves the right to change this document without notice.

For all requests, consult your nearest Parker Sporlan Wholesaler or contact us on: racecustomerservice@parker.com / www.parker.com/race

Valve Dimensions

Nomenclature

O. D. = Outside Diameter.

BV6MM = Ball valve for O.D. tube 6 mm.

BV21SV = Ball valve for O.D. tube 21/8 inches, so 2" 5/8 OD with Schraeder Valve (SV).

Specifications and Dimensions

Metric Size

Metric Reference	For Tube O.D. mm	Bore Diameter mm	L mm	C mm	H mm	kv Value m ³ /h	Weight g
BV6MM	6	10	126	13	54.5	1.6	220
BV8MM	8	10	132	13	54.5	4.2	220
BV10MM	10	10	132	13	54.5	5.3	220
BV10MMSV	10	10	132	13	54.5	5.3	220
BV12MM	12	10	140	13	54.5	6.6	220
BV12MMSV	12	10	140	13	54.5	6.6	220
BV15MM	15	16	146	17	68	13	390
BV15MMSV	15	16	146	17	68	13	390
BV5 (ex BV16MM)	16	10	140	17	54.5	13	390
BV16MMSV	16	16	146	17	68	13	390
BV18MM	18	16	146	17	68	17	390
BV18MMSV	18	16	146	17	68	17	390
BV22MM	22	20	185	23	76	26	875
BV22MMSV	22	20	185	23	76	26	875
BV28MM	28	25	205	25	81	41	930
BV28MMSV	28	25	205	25	81	41	930
BV11 (ex BV35MM)	35	32	208	31	93	86	1600
BV35MMSV	35	32	208	31	93	86	1600
BV42MM	42	38	242	39	121	110	2700
BV42MMSV	42	38	242	39	121	110	2700
BV17 (ex BV54MM)	54	50	273	45	131	208	3800
BV54MMSV	54	50	273	45	131	208	3800
BV64MM	64	47	280	45	131	185	3800
BV64MMSV	64	47	280	45	131	185	3800
BV76MM	76	64	378	60	177	340	6700
BV76MMSV	76	64	378	60	177	340	6700
BV89MM	89	83	423	76	209.6	480	12250
BV89MMSV	89	83	423	76	209.6	480	12250
BV108MM	108	83	423	76	209.6	470	13100
BV108MMSV	108	83	423	76	209.6	470	13100

Accurate at the time of going to print.

Valve Dimensions

Specifications and Dimensions

Inches

Inches Reference	For Tube O.D. Inch	Bore Diameter mm	L mm	C mm	H mm	kv Value m ³ /h	Weight g
BV2	1/4"	10	126	13	54.5	1.6	220
BV3	3/8"	10	132	13	54.5	5.3	220
BV3SV	3/8"	10	132	13	54.5	5.3	220
BV4	1/2"	10	132	13	54.5	6.6	220
BV4SV	1/2"	10	140	13	54.5	6.6	220
BV5	5/8"	10	140	17	54.5	13	390
BV5SV	5/8"	16	146	17	68	13	390
BV6	3/4"	16	146	17	68	17	390
BV6SV	3/4"	16	146	17	68	17	390
BV7	7/8"	20	185	23	76	26	875
BV7SV	7/8"	20	185	23	76	26	875
BV9	1 1/8"	25	205	25	81	41	930
BV9SV	1 1/8"	25	205	25	81	41	930
BV11	1 3/8"	32	208	31	93	86	1600
BV11SV	1 3/8"	32	208	31	93	86	1600
BV13	1 5/8"	38	242	39	121	110	2700
BV13SV	1 5/8"	38	242	39	121	110	2700
BV17	2 1/8"	50	273	45	131	208	3800
BV17SV	2 1/8"	50	273	45	131	208	3800
BV21	2 5/8"	62	280	45	131	185	3800
BV21SV	2 5/8"	62	280	45	131	185	3800
BV25	3 1/8"	64	378	60	177	340	6700
BV29	3 5/8"	83	423	76	209.6	480	12250
BV33	4 1/8"	83	423	76	209.6	470	13100

For all requests, consult your nearest Parker Sporlan Wholesaler or contact us on:
racecustomerservice@parker.com / www.parker.com/race

Valve Dimensions

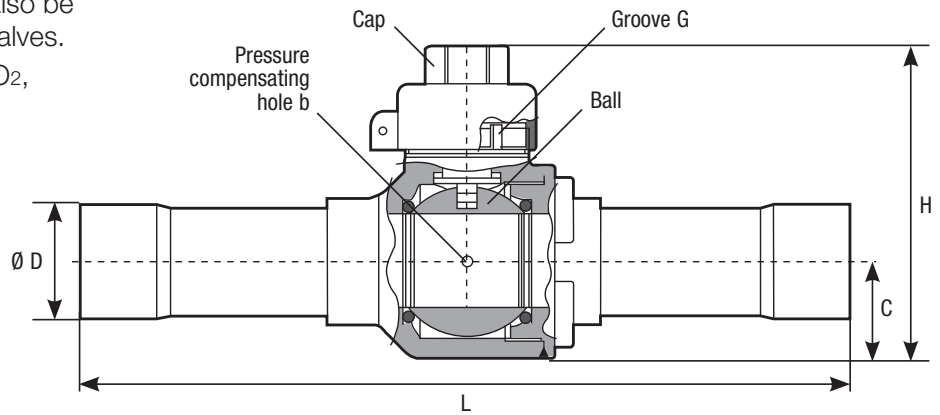
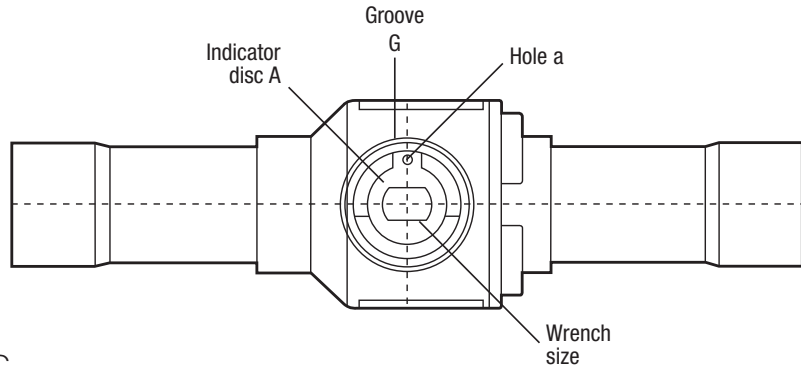
Specifications and Dimensions

Working Range

- Safe working pressure: 45 bar
- Operating Temperature:
- -40°C to +150°C

Refrigerant Compatibility

- Compatible for use with all HFC and HCFC refrigerants.
- Valves are available could also be equipped with Schraeder valves.
- For more information on CO₂, please contact us.



Replacement Caps

Cap references are also suitable for reference equipped with Schraeder Valve

Cap for BV PN	From	To
BV00501	BV6MM-BV2	BV12MM-BV4
BV00502	BV15MM-BV5	BV18MM-BV6
BV00503	BV22MM-BV7	BV35MM-BV11
BV00504	BV42MM-BV13	BV54MM-BV17
BV00505	BV64MM-BV21	BV108MM-BV33

Accurate at the time of going to print.

For all requests, consult your nearest Parker Sporlan Wholesaler or contact us on: raccustomerservice@parker.com / www.parker.com/race