

# V Series - 35 bar MWP

## Diaphragm Operated Refrigeration Solenoid Valves

V Series solenoid valves are light design, diaphragm operated solenoid valves mainly used in liquid line or suction line applications.

They are available in both metric and inches connections.

The best and innovative materials, like industrial ruby and stainless steel, used in the construction of these valves allow achieving excellent seat tightness, cycle life and reliability.

### Technical Specification

**Compatibility:** CFC, HCFC and HFC refrigerants and blends & most refrigeration oils

**MRP:** 35 bar

**Temperature range:** -40°C to +105°C

#### Direct Acting - Inches

Valve Type / Part Number	Connections SAE or ODF	Port Size Ø	Flow Coefficient Kv	Minimum Pressure Differential	Maximum Pressure Differential M.O.P.D.		Coil Type	
					A.C. (~)	D.C. (=)	A.C.	D.C.
V3F2	1/4" SAE	2.5	0.185	0	30	21	RT14-YB14	CD21
V4F2	1/4" SAE	3	0.270	0	30	21	RT14-YB14	CD21
V4F3	3/8" SAE	3	0.270	0	30	21	RT14-YB14	CD21
V3S2	1/4"ODF	2.5	0.185	0	30	21	RT14-YB14	CD21
V4S2	1/4"ODF	3	0.27	0	30	21	RT14-YB14	CD21
V4S3	3/8"ODF	3	0.27	0	30	21	RT14-YB14	CD21

#### Direct Acting - mm

Valve Type / Part Number	Connections SAE or ODF	Port Size Ø	Flow Coefficient Kv	Minimum Pressure Differential	Maximum Pressure Differential M.O.P.D.		Coil Type	
					A.C. (~)	D.C. (=)	A.C.	D.C.
V3SM6	6mm ODF	2.5	0.185	0	30	21	RT14-YB14	CD21
V4SM6	6mm ODF	3	0.270	0	30	21	RT14-YB14	CD21

Accurate at the time of going to print.

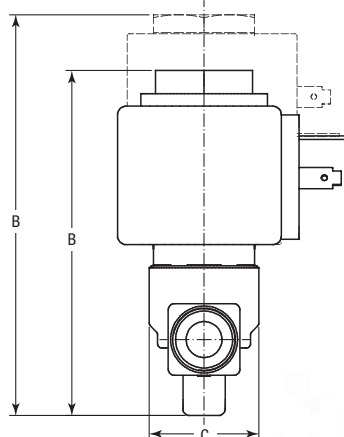
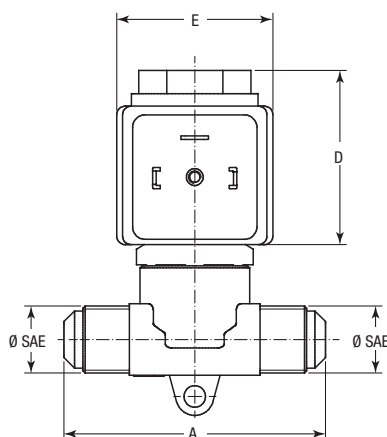
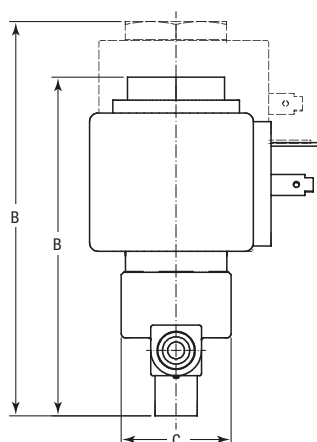
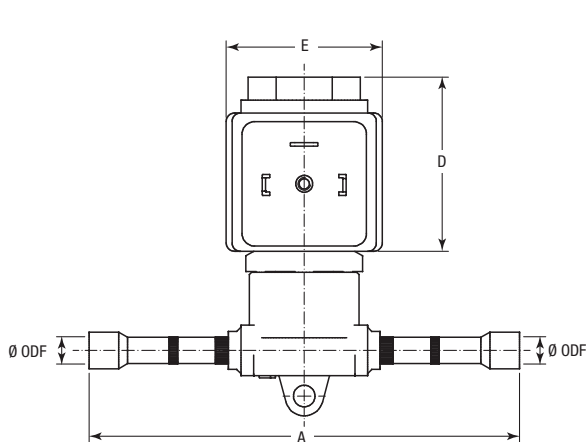
For all requests, consult your nearest Parker Sporlan Wholesaler or contact us on: [racecustomerservice@parker.com](mailto:racecustomerservice@parker.com) / [www.parker.com/race](http://www.parker.com/race)



# Dimensions

## V3 & V4

Connections	A mm	B mm		C mm	D mm		E mm
		AC Coil	DC Coil		AC Coil	DC Coil	
1/4" SAE	61	79.8	93.5	26	41.3	55	37
1/4" SAE	61	79.8	93.5	26	41.3	55	37
3/8" SAE	62	79.8	93.5	26	41.3	55	37
6 mm - 1/4" ODF	102	79.8	93.5	26	41.3	55	37
6 mm - 1/4" ODF	102	79.8	93.5	26	41.3	55	37
3/8" ODF	101	79.8	93.5	26	41.3	26	26



For all requests, consult your nearest Parker Sporlan Wholesaler or contact us on: [racecustomerservice@parker.com](mailto:racecustomerservice@parker.com) / [www.parker.com/race](http://www.parker.com/race)

Accurate at the time of going to print.

# Technical Specification

**Compatibility:** CFC, HCFC and HFC refrigerants and blends & most refrigeration oils

**MRP:** 35 bar

**Temperature range:** -40°C to +105°C

## Pilot Operated - Inches

Valve Type / Part Number	Connections SAE or ODF	Port Size Ø	Flow Coefficient Kv m <sup>3</sup> / h	Minimum Pressure Differential bar	Maximum Pressure Differential M.O.P.D.		Coil Type	
	Inches	mm			A.C. (~) bar	D.C. (=) bar	A.C.	D.C.
V8F3	3/8" SAE	6.5	0.800	0.1	30	21	RT14-YB14	CD21
V10F3	3/8" SAE	8	1.4	0.1	30	21	RT14-YB14	CD21
V13F4	1/2" SAE	10	1.88	0.1	30	21	RT14-YB14	CD21
V19F5	5/8" SAE	15	3.3	0.1	30	10	RT14-YB14	CD21
V8S3	3/8" ODF	6.5	0.800	0.1	30	21	RT14-YB14	CD21
V8S4	1/2" ODF	6.5	0.800	0.1	30	21	RT14-YB14	CD21
V10S3	3/8" ODF	8	1.4	0.1	30	21	RT14-YB14	CD21
V13S4	1/2" ODF	10	1.88	0.1	30	21	RT14-YB14	CD21
V19S5	5/8" ODF	15	3.3	0.1	30	10	RT14-YB14	CD21
V23S6	3/4" ODF	18	3.85	0.1	30	10	RT14-YB14	CD21
V23S7	7/8" ODF	18	4.32	0.1	30	10	RT14-YB14	CD21
V23S9	1-1/8" ODF	18	4.32	0.1	30	10	RT14-YB14	CD21

## Pilot Operated - mm

Valve Type / Part Number	Connections ODF	Port Size Ø	Flow Coefficient Kv m <sup>3</sup> / h	Minimum Pressure Differential bar	Maximum Pressure Differential M.O.P.D.		Coil Type	
	mm	mm			A.C. (~) bar	D.C. (=) bar	A.C.	D.C.
V8SM10	10 mm ODF	6.5	0.800	0.1	30	21	RT14-YB14	CD21
V8SM12	12 mm ODF	6.5	0.800	0.1	30	21	RT14-YB14	CD21
V10SM10	10 mm ODF	8	1.4	0.1	30	21	RT14-YB14	CD21
V13SM12	12 mm ODF	10	1.88	0.1	30	21	RT14-YB14	CD21
V19SM16	16 mm ODF	15	3.3	0.1	30	10	RT14-YB14	CD21
V23SM18	18 mm ODF	18	3.85	0.1	30	10	RT14-YB14	CD21
V23SM22	22 mm ODF	18	4.32	0.1	30	10	RT14-YB14	CD21
V23SM28	28 mm ODF	18	4.32	0.1	30	10	RT14-YB14	CD21

Accurate at the time of going to print.

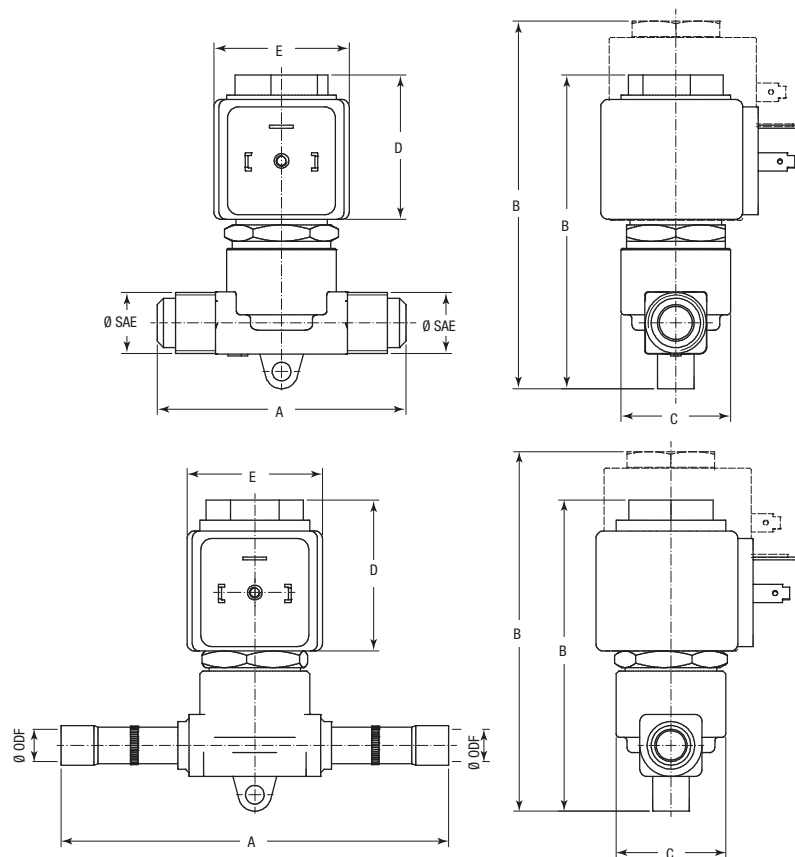
For all requests, consult your nearest Parker Sporlan Wholesaler or contact us on:  
[raccustomerservice@parker.com](mailto:raccustomerservice@parker.com) / [www.parker.com/race](http://www.parker.com/race)



# Dimensions

## V8

Connections	A mm	B mm		C mm	D mm		E mm
		AC Coil	DC Coil		AC Coil	DC Coil	
3/8" SAE	68	85.8	99.5	30	41.3	55	37
10 mm ODF	106	85.8	99.5	30	41.3	55	37
3/8" ODF	106	85.8	99.5	30	41.3	55	37
1/2" ODF	123	85.8	99.5	30	41.3	55	37
12 mm ODF	123	85.8	99.5	30	41.3	55	37



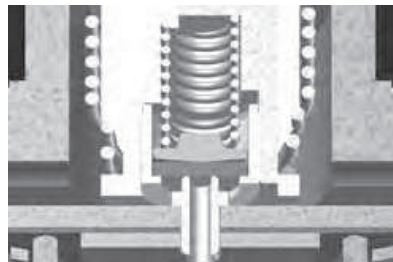
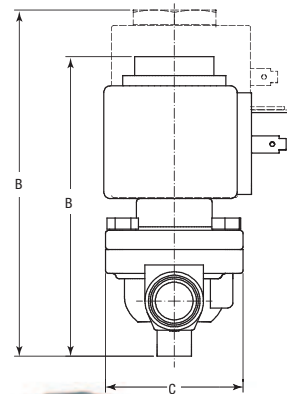
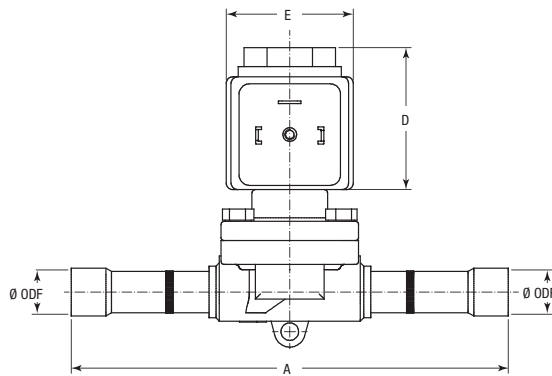
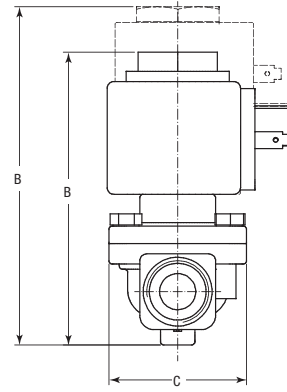
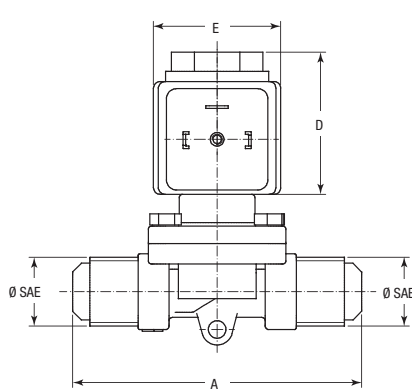
For all requests, consult your nearest Parker Sporlan Wholesaler or contact us on:  
[racecustomerservice@parker.com](mailto:racecustomerservice@parker.com) / [www.parker.com/race](http://www.parker.com/race)

Accurate at the time of going to print.

# Dimensions

## V10 - V13 - V19 - V23

Connections	A mm	B mm		C mm	D mm		E mm
		AC Coil	DC Coil		AC Coil	DC Coil	
3/8" SAE	80	85.3	99	40	41.3	55	37
1/2" SAE	84	85.3	99	40	41.3	55	37
5/8" SAE	104	85.3	103.5	51	41.3	55	37
10 mm - 3/8" ODF	111	79.3	193	40	41.3	55	37
12 mm - 1/2" ODF	127	79.3	93	40	41.3	55	37
16 mm - 5/8" ODF	153	93.3	107	51	41.3	55	37
18 mm - 3/4" ODF	160	93.3	107	51	41.3	55	37
22 mm - 7/8" ODF	170	93.3	107	51	41.3	55	37
28 mm - 1-1/8" ODF	180	96.3	110	51	41.3	55	37



Accurate at the time of going to print.

For all requests, consult your nearest Parker Sporlan Wholesaler or contact us on:  
[racecustomerservice@parker.com](mailto:racecustomerservice@parker.com) / [www.parker.com/race](http://www.parker.com/race)

5