

RT14, YB14 & CD21

Type Coils for V Series Solenoid Valves

We offer three different types of coils for V solenoid valves.

The preferred coil should be selected depending on the application and based on the required: current, Voltage and IP rating. If the coil with specifications different from those in the table is required, please contact your Parker Sporlan distributor.

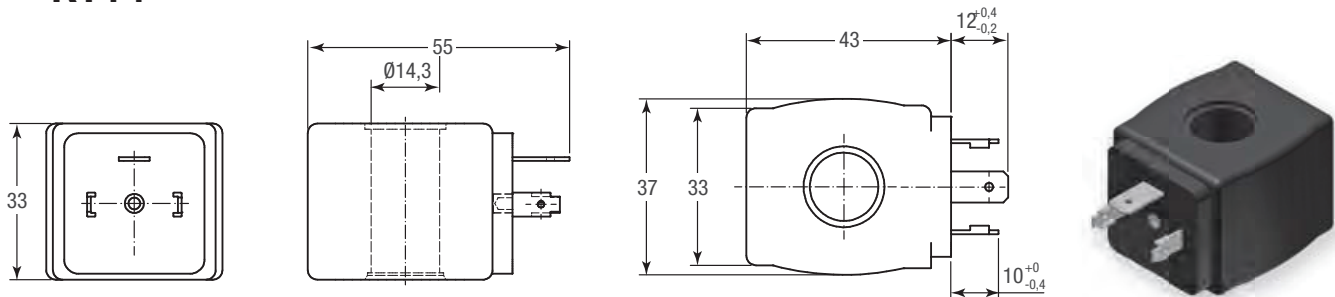
All the coils are manufactured with class H copper wire, molded in thermoplastic (polyester) with 30% glass fiber.

Technical Specification

Part Number	Coil Type	Voltage - Frequency	Power	Electrical Connection
304987	RT14	230V AC +/-10% 50/60Hz	14 W	DIN connector (not included)
304985	RT14	24V AC +/-10% 50/60Hz	14 W	DIN connector (not included)
304983	RT14	115V AC +/-10% 50/60Hz	14 W	DIN connector (not included)
304505	YB14	230V AC +/-10% 50/60Hz	14 W	Flying leads
304433	YB14	24V AC +/-10% 50/60Hz	14 W	Flying leads
304431	YB14	115V AC +/-10% 50/60Hz	14 W	Flying leads
301584	CD21	12V DC +/-5%	21 W	DIN connector (not included)
304586	CD21	24V DC +/-5%	21 W	DIN connector (not included)
600000R	PG 9/11 DIN connector for RT14 and CD21 coils			

Dimensions

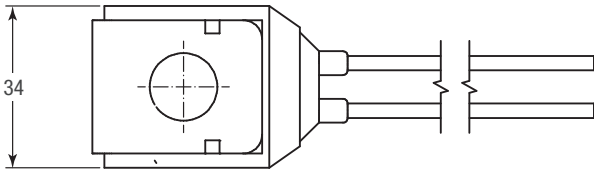
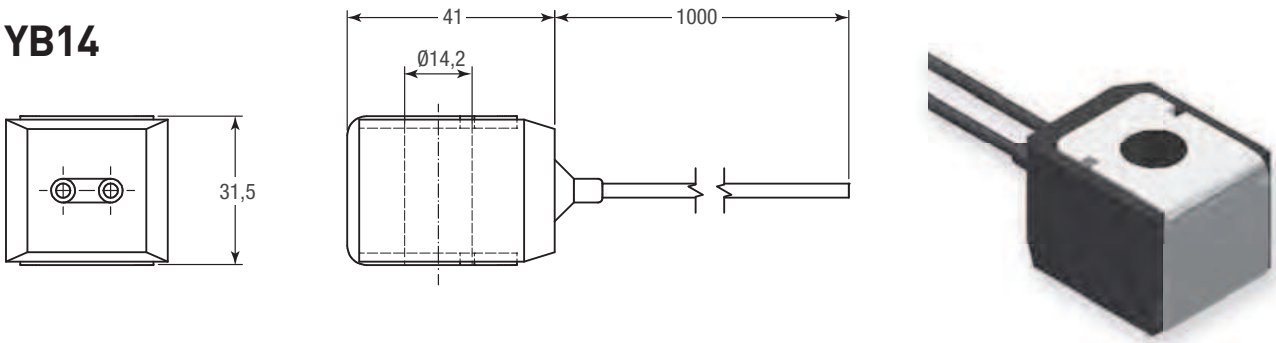
RT14



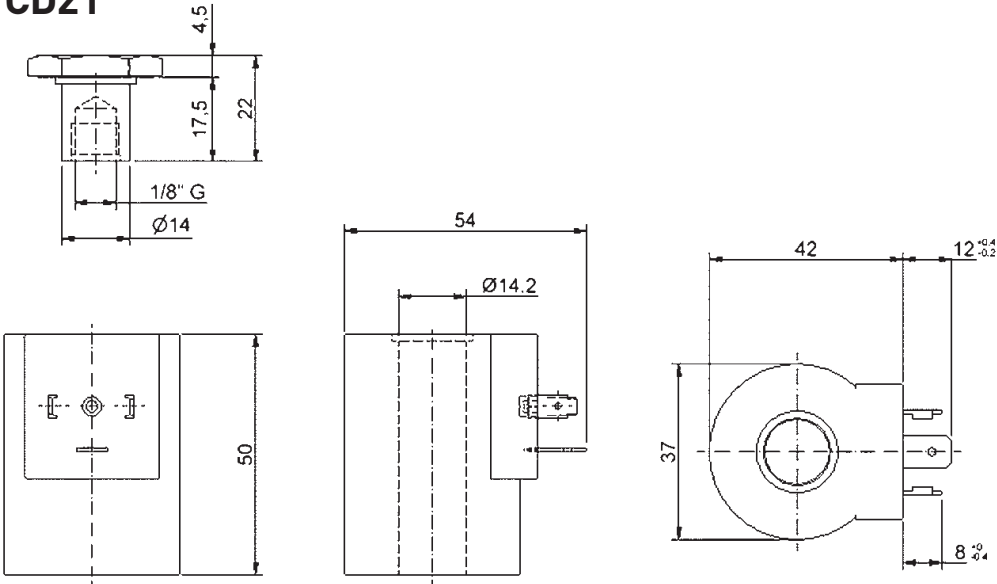
For all requests, consult your nearest Parker Sporlan Wholesaler or contact us on: racecustomerservice@parker.com / www.parker.com/race

Dimensions

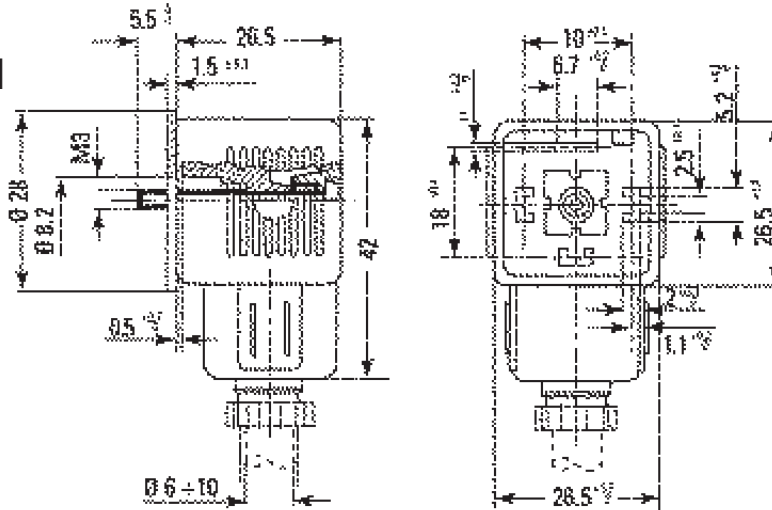
YB14



CD21



PG 9/11 DIN Connector



Accurate at the time of going to print.