

Ball Valves

Bi-Flow Ball Valves



Customer Value Proposition:

Parker Bi-Flow Ball Valves are available in a range of Inch Sizes from 1/4" to 4.1/8", metric from 6-108 mm but also in Schraeder valve version.

Cap:

Brass cap thread broached in three places to ensure adequate venting when the cap is removed. The cap is also tagged to accommodate wiring and sealing where legislation demands.

Ball features:

A small hole in one sealing face of the ball prevents refrigerant being locked within the ball when closed. It also allows the ball to exert a greater force against the Teflon Ball seal when closed, giving greater close-off security.



Contact Information:

Parker Hannifin Ltd

Climate and Industrial Control Group
Refrigeration and Air Conditioning Europe

Cortonwood Drive, Brampton,
Barnsley S73 0UF, United Kingdom

Tel: +44 (0) 1226 273400

Fax: +44 (0) 1226 273401

racecustomerservice@parker.com

www.parker.com/race

Product Family:

- Ball valves

Applications:

- Supermarkets
- Refrigeration
- Chiller

Advantages:

- Compact
- Reliable
- Vented cap
- Long life
- Complete range from to 1/4" to 4.1/8"
- Metric from 6 mm to 108 mm
 - 100 % controlled for leakages
 - Sealing of valve stem is ensured by 3 seals and a PTFE gasket on the cap
 - High temperature of use



ENGINEERING YOUR SUCCESS.

Nomenclature

O. D. = Outside Diameter

OBV6MM = Ball valve for O.D. tube 6 mm

BV21SV = Ball valve for O.D. tube 2 1/8 inches, so 2" 5/8 OD with Schrader Valve (SV)

Specifications and Dimensions

Metric Size

Metric reference	For tube O.D mm	Bore Diameter mm	L mm	C mm	H mm	kv Value m ³ /h	Weight g
OBV6MM	6	10	126	13	49	1.6	159
OBV8MM	8	10	132	13	49	4.2	163
OBV10MM	10	10	132	13	49	5.3	168
OBV10MMSV	10	10	132	13	49	5.3	168
OBV12MM	12	10	140	13	49	6.6	171
OBV12MMSV	12	10	140	13	49	6.6	171
OBV15MM	15	16	146	18.5	61	13	293
OBV15MMSV	15	16	146	18.5	61	13	293
OBV16MM	16	16	146	18.5	61	13	295
OBV16MMSV	16	16	146	18.5	61	13	295
OBV18MM	18	16	146	18.5	61	17	297
OBV18MMSV	18	16	146	18.5	61	17	297
OBV22MM	22	20	185	21	72	26	510
OBV22MMSV	22	20	185	21	72	26	510
OBV28MM	28	25	205	26	78	41	760
OBV28MMSV	28	25	205	26	78	41	760
OBV35MM	35	32	208	32	92	86	1300
OBV35MMSV	35	32	208	32	92	86	1300
OBV42MM	42	38	242	38.5	112	110	2300
OBV42MMSV	42	38	242	38.5	112	110	2300
OBV54MM	54	50	273	48.5	130	208	3475
OBV54MMSV	54	50	273	48.5	130	208	3475
BV64MM	64	47	280	45	131	185	3800
BV64MMSV	64	47	280	45	131	185	3800
BV76MM	76	64	378	60	177	340	6700
BV76MMSV	76	64	378	60	177	340	6700
BV89MM	89	83	423	76	209.6	480	12250
BV89MMSV	89	83	423	76	209.6	480	12250
BV180MM	108	83	423	76	209.6	470	13100
BV108MMSV	108	83	423	76	209.6	470	13100

Specifications and Dimensions

Inches

Inches reference	For tube O.D inch	Bore Diameter mm	L mm	C mm	H mm	kv Value m ³ /h	Weight g
OBV2	1/4"	10	126	13	49	1.6	159
OBV3	3/8"	10	132	13	49	5.3	168
OBV3SV	3/8"	10	132	13	49	5.3	168
OBV4	1/2"	10	140	13	49	6.6	171
OBV4SV	1/2"	10	140	13	49	6.6	171
OBV5	5/8"	16	146	18.5	61	13	295
OBV5SV	5/8"	16	146	18.5	61	13	295
OBV6	3/4"	16	146	18.5	61	17	297
OBV6SV	3/4"	16	146	18.5	61	17	297
OBV7	7/8"	20	185	21	72	26	510
OBV7SV	7/8"	20	185	21	72	26	510
OBV9	1 1/8"	25	205	26	78	41	760
OBV9SV	1 1/8"	25	205	26	78	41	760
OBV11	1 3/8"	32	208	32	92	86	1300
OBV11SV	1 3/8"	32	208	32	92	86	1300
OBV13	1 5/8"	38	242	38.5	112	110	2300
OBV13SV	1 5/8"	38	242	38.5	112	110	2300
OBV17	2 1/8"	50	273	48.5	130	208	3475
OBV17SV	2 1/8"	50	273	48.5	130	208	3475
BV21	2 5/8"	62	280	45	131	185	3800
BV21SV	2 5/8"	62	280	45	131	185	3800
BV25	3 1/8"	64	378	60	177	340	6700
BV29	3 5/8"	83	423	76	209.6	480	12250
BV33	4 1/8"	83	423	76	209.6	470	13100

Working Range

PS: 45 bar

TS: -40°C to +150°C

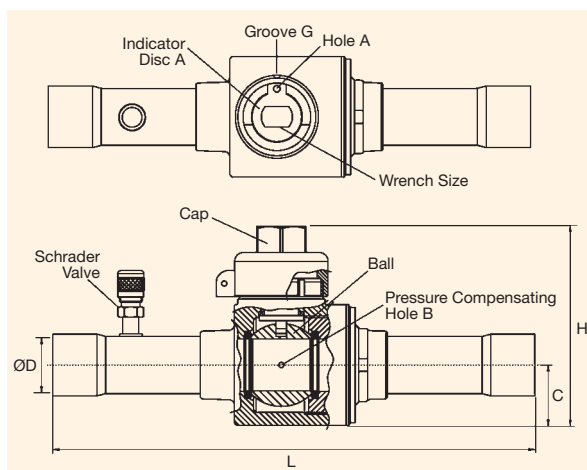
Refrigerant Compatibility

Compatible for use with all HFC and HCFC refrigerants.

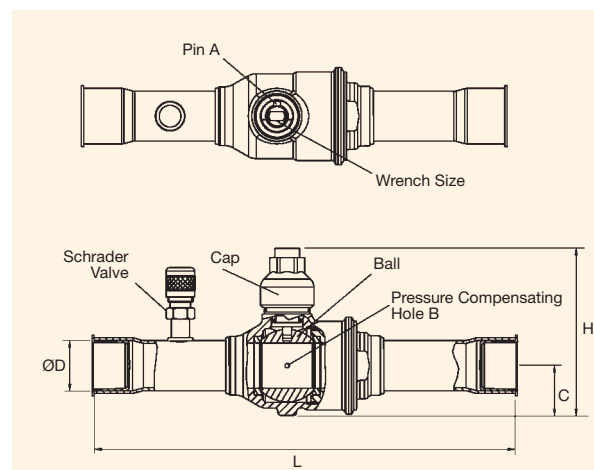
Ball valves could also be equipped with Schrader valves.

For more information on CO₂, please contact us.

BV



OBV



Parker Worldwide

United Arab Emirates Middle East

Sarkis OHANNESSIAN
Tel: (961) 3334622
sohannessian@parker.com

Germany, Central Europe German speaking part of Switzerland

Peter GROLLA
Tel: +49 (0)171 76 28 417
peter.grolla@parker.com

Spain Portugal

José-Luis BORRALLO
Tel: +34 660 416 702
jlborrallo@parker.com

France, Belgium, North Africa French speaking part of Switzerland

Eliane EMERIT-BONNOT
Tel: +33 (0)6 73 89 36 01
ebonnot@parker.com

Italy, Greece, Malta, Cyprus Italian speaking part of Switzerland

Andrea BRAGA
Tel: +39 334 6944386
abraga@parker.com

Turkey

Gokhan GENCEROĞLU
Tel: +90 530 463 95 35
gokhan.genceroglu@parker.com

United Kingdom, Ireland, Northern Europe, Baltic countries, The Netherlands

Angus MACKINTOSH
Tel: +44 78816 22322
amackintosh@parker.com

Russia, Eastern Europe

Kenny ADAMSON
Tel: +44 77853 71229
kadamson@parker.com

South Africa

Alan QUINN
Tel: +44 79742 37447
aquinn@parker.com

Customer Service:

Parker Hannifin Ltd

Climate and Industrial Control Group
Refrigeration and Air Conditioning Europe
Cortonwood Drive, Brampton
Barnsley S73 OUF - United Kingdom
Tel: +44 (0) 1226 273400
Fax: +44 (0) 1226 273401
racecustomerservice@parker.com
www.parker.com/race

Your local authorized Parker distributor

