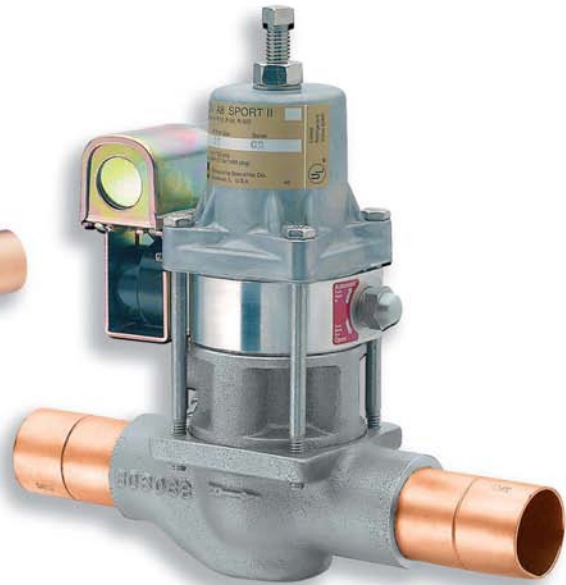


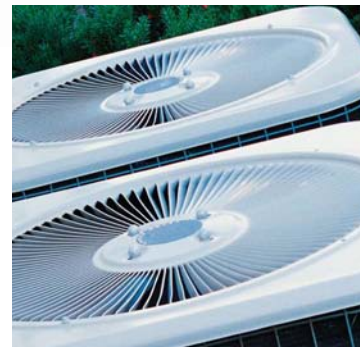


aerospace
 climate control
 electromechanical
 filtration
 fluid & gas handling
 hydraulics
 pneumatics
 process control
 sealing & shielding



611G Flo-Con Pressure Regulators & Valves

Catalog F-2, January 2008



ENGINEERING YOUR SUCCESS.

Table of Contents

Flo-Con Pressure Regulators & Valves

| | |
|---|-------|
| Product Overview | 3 |
| (S)PORT & (S)PORT-II Evaporator Pressure Regulators | 5 |
| A8, (S)PORT & SC Suction Capacities | 7-14 |
| A8 Pressure Regulators | 15 |
| A9 Pressure Regulators | 17 |
| CK4 Check Valve | 18 |
| CK4 Liquid Drain Capacities | 19-22 |
| Condenser Pressure Controls | 23 |
| A8 Liquid Drain Capacities | 25-28 |
| A8 Discharge Capacities | 29-36 |
| CK4A Hot Gas Discharge Capacities | 37-44 |
| A9 & A8_0 Condenser Bypass Capacities | 45-52 |
| Hot Gas Bypass | 53 |
| Hot Gas Bypass Capacities | 54-55 |
| Discharge Regulators for Supermarket Applications | 56 |
| Crankcase Pressure Regulators | 57 |
| SC Suction Solenoid Valves | 58 |
| S81/S82 Solenoid Valves | 60-61 |
| Abbreviations and Terminology | 62 |
| Commercial Control Valves – Selection Guide | 63 |

Product Overview

With more than 35 years of commercial refrigeration control valve design and manufacturing experience, the Parker Flo-Con product line has evolved to include a wide variety of regulators, solenoid valves, and in-line check valves designed for precise and reliable control in both supermarket and field built halocarbon systems. Included in this expanded family of refrigeration components are high capacity pilot operated regulators and solenoid valves in extended port and connection size combinations. The highest capacity non-flanged regulators and solenoid valves available in the industry are included in this unique combination of control valves. Considering their application in larger systems, one control valve may be used in place of a

competitor's parallel valve combination in some instances.

Parker Flo-Con pilot operated regulators are modular by design, and are superior to direct operated valves in their ability to maintain a precise control of set point, despite changes in load. With a parabolic plug design as a standard feature throughout this line of regulators, a linear relationship exists between the main valve opening and the valve's capacity. The result is a steady set point and precise control, even at varying or low flow conditions.

As an added benefit, Parker Flo-Con pilot operated solenoid valves in the SC and S8 series utilize the same bodies, cartridges, and solenoid coil assemblies as their

(S)PORT and A8 regulator counterparts. In many instances, capacities can be changed by simply changing cartridges, a feature common throughout both lines of regulators and solenoid valves.

Parker Refrigerating Specialties product bulletins are also available for all valve types covered throughout this section. Product bulletins cover a variety of details such as dimensions, cutaway views, and specific information related to valve operation, which is not included within the context of this catalog. Product bulletin numbers are referenced in the selection guide matrix on page 63 and are readily available upon request.

A8 Pressure Regulators

Initially introduced as the A7, the current A8 pressure regulator is designed with flexibility in mind, covering both high and low side applications in commercial refrigeration systems. A dual range spring, standard in all A8 regulators (with the exception of the differential version), allows the valve to control at any set point within a 10" Hg to 400 psi (250mm Hg to 27.6 bar) pressure range. Three body sizes define the A8 line. The A8A is the smallest of the three, the A81 covers the mid-range applications, and the A82 is the largest. Along with the standard A8 inlet pressure regulator, optional variations include inlet regulators with electric shut off features (A8AS, A81S, A82S) and wide opening or bypass features (A8_B). In addition, outlet pressure regulators (A8_OE), outlet regulators with electric shut-off features (A8_OES), differential pressure regulators (A8_L), and differential regulators with wide opening features (A8_BL) round out the product line. Eight different "port" sizes (capacity cartridges) are available in the A8 family of regulators with connection sizes ranging from 7/8" (22mm) up to 2-5/8" (66mm). All A8 regulators are ductile iron bodied valves with brazed copper couplings. Valve cartridges are also made of ductile iron. A water resistant class "H" coil enclosed in a general purpose coil housing is supplied as standard with any A8 regulator version. Solenoid coils can be supplied either with twin leads or with DIN connectors.



(S)PORT / (S)PORT II Evaporator Pressure Regulators

The (S)PORT and (S)PORT-II pressure regulators are a unique line of valves designed specifically for evaporator pressure control in commercial supermarket applications. All (S)PORT regulators are designed to control in a pressure range of 10" Hg to 120 psig (250mm Hg to 8.3 bar). The (S)PORT, has a ductile iron body and cartridge assembly. The (S)PORT-II, a more recent addition to the line, is made of completely corrosion resistant materials including aluminum bronze bodies and cartridge assemblies, and stainless steel bolts and adjusting stems. (S)PORT regulators are available in three common versions typically applied on low side applications: A standard upstream pressure regulator, or PORT, a regulator combined with an electric shut-off feature, or (S)PORT, and a unique combination of electric shut and bypass feature, the (S)PORT-B. The (S)PORT version is typically applied on a refrigeration circuit utilizing hot gas for defrosting purposes, while the (S)PORT-B offers the same capability in addition to a wide opening, or bypass feature, for quick pull down during start



Product Overview continued

up or after a circuit's hot gas defrost period has been terminated. A water resistant class F coil and open frame coil housing is standard on the (S)PORT regulator line. Solenoid coils with DIN connectors can also be supplied.

S8 Solenoid Valves

S8 solenoid valves are flexible by design, suitable for discharge gas applications or as a liquid feed valve. S8 solenoid valves can also be applied on a low side (suction line) application. If (S)PORT pressure regulators are being considered, however, on a supermarket rack system for example, the Refrigerating Specialties "SC" solenoid valve would be a better option (see description below) as suction shut-off devices. Overall, the design of the S8 solenoid valve with regards to its major components, complements that of the A8 regulator. That is, the valve bodies, cartridge assemblies, solenoid operators, and solenoid coils are identical to those used on the A8 regulator line. The same class "H" coil and general purpose coil housing which are standard throughout the A8 regulator line are supplied with the S8 solenoid. Along with the A8 line of regulators, solenoid coils with DIN connectors are also available.



SC Solenoid Valves

The "SC" line of solenoid valves were designed to complement (S)PORT pressure regulators in both appearance and construction. Components such as valve bodies, cartridges, solenoid operators, and solenoid coils are interchangeable between the SC solenoid and (S)PORT regulator lines of valves. Like the (S)PORT regulator, the SC solenoid is available with either ductile iron materials (both body and cartridge) or corrosion resistant aluminum bronze materials. With the (S)PORT regulator and SC solenoid combination, any suction line control requirement can be satisfied while maintaining reliable performance and common appearance. The SC line of solenoids utilizes the same water resistant class F coil and open frame coil housing which is standard with the (S)PORT line of regulators.



A9 Pressure Regulators

A9 outlet pressure regulators utilize a compact design unique to the Refrigerating Specialties line of regulators, and are applied most typically as hot gas bypass or receiver pressure control valves. Four port sizes ranging from 3/8" (9mm) through 1-1/8" (28mm) are available. Utilizing a pilot operated design for stable control of set point, the A9E is typically used as a hot gas bypass regulator. The A9E regulator, when used in a hot gas bypass application, is externally equalized to suction pressure, or the pressure being controlled. Through years of reliable performance, it has become a standard on a variety of OEM equipment where precise suction pressure control is required for stable system operation. The A9, an internally equalized regulator which senses and controls immediate downstream pressure, is typically applied as a receiver pressure control valve for those systems using regulators for condenser pressure control on air cooled condensers.



CK4A In Line Check Valves

CK4A in line check valves are versatile spring closing disc check valves, used for most hot gas and liquid line applications. The CK4 series of check valves are a flanged family of check valves, utilizing a gasketed refrigeration style tongue-and-groove ODS flange for commercial applications. Eight port sizes are available ranging from 1/2" (13mm) through 4" (100mm). Up through and including the 2" port size valve, three different ODS connection sizes are available for each port size valve to accommodate a reduced capacity valve in larger lines. All valves are made to tight seat leakage specifications, utilizing a lapped metal-to-metal seat design. The pressure drop required to open the valve fully is about .75 psi. Because of its spring closing design, CK4 check valves can be installed in both vertical and horizontal pipe lines.



(S)PORT & (S)PORT-II Evaporator Pressure Regulators

Features and Benefits

- Highest capacity commercial regulator in the industry
- Solder in place without disassembly
- Interchangeable capacity cartridges
- Low pressure drop
- Manual opening stem
- Variations include electric shut-off along with bypass and shut-off feature
- (S)PORT-II with corrosion resistant aluminum bronze construction
- All stainless steel bolts, stem, locking nut, piston and plug
- Dual voltage 208/240/60 Hz coil

Specifications

- Design pressure (M.R.P.): 450 psig (31.0 bar)
- Minimum fluid temperature -40°F (-40°C)
- Operating range: 10" Hg to 120 psig (250 mm Hg to 8.3 bar)
- UL listed (except 50 Hz versions), file SA5473
- CSA certified, file LR20991-14

Standard Voltages

- 120V/60Hz, 110V/50Hz
- 208V/240V/60Hz, 220V/50Hz
- 240V/50Hz
- 240V/60Hz, 220V/50Hz (DIN)
- 240V/50Hz (DIN)



Nomenclature (Example)

| | | | | | | | |
|-------------------|--------|--------------------------------|---------------------------------|-------------------------|----------------|---------------------------------|---------------------------------------|
| S | P | OR | T | II | B | 7 | 11 |
| Electric Shut-Off | Parker | Open on Rise of Inlet Pressure | Inlet Pressure "Tap" or Fitting | Aluminum Bronze Version | Bypass Feature | Port Size in Eighths of an Inch | Connection Size in Eighths of an Inch |

(S)PORT Port/Connection Size Combinations

| Type | Port Size | | | Connection Sizes Available |
|-----------------------|------------|--------|----|--|
| | Connection | Inches | mm | |
| (S)PORT or (S)PORT-II | 03 | 3/8 | 9 | 07, 09, 11, 13, 17 (7/8"/22mm, 1-1/8"/28mm, 1-3/8"/35mm, 1-5/8"/42mm, 2-1/8"/54mm) |
| | 05 | 5/8 | 15 | 07, 09, 11, 13, 17 (7/8"/22mm, 1-1/8"/28mm, 1-3/8"/35mm, 1-5/8"/42mm, 2-1/8"/54mm) |
| | 07 | 7/8 | 22 | 07, 09, 11, 13, 17 (7/8"/22mm, 1-1/8"/28mm, 1-3/8"/35mm, 1-5/8"/42mm, 2-1/8"/54mm) |
| | 09 | 1-1/8 | 28 | 07, 09, 11, 13, 17 (7/8"/22mm, 1-1/8"/28mm, 1-3/8"/35mm, 1-5/8"/42mm, 2-1/8"/54mm) |
| | 11 | 1-3/8 | 35 | 09, 11, 13, 17 (1-1/8"/28mm, 1-3/8"/35mm, 1-5/8"/42mm, 2-1/8"/54mm) |
| (S)PORT | 13 | 1-5/8 | 42 | 13, 17, 21 (1-5/8"/42mm, 2-1/8"/54mm, 2-5/8"/66mm) |
| | 17 | 2-1/8 | 54 | 17, 21 (2-1/8"/54mm, 2-5/8"/66mm) |
| | 21 | 2-5/8 | 66 | 21 (2-5/8"/66mm) |

Note: (S)PORT-II regulators have same port/connection combinations as standard (S)PORT regulators but are not available in the 13, 17, or 21 port size versions.

Technical Information

Description: Unlike other Parker Flo-Con regulators, (S)PORT regulators utilize a unique numbering system identifying port & connection size values in eighths of an inch (see previous page). For example, a 7/8" port size by 1-1/8" connection size valve would be identified as a (S)PORT 07-09, with the valves port size being the first numerical value in the description (in eighths of an inch), and the connection size being the second value. All (S)PORT cartridges are externally stamped with the plug or port size using this same numbering system for field identification purposes. (S)PORT evaporator pressure regulators are available in two versions, each with their own distinct material characteristics; the original (S)PORT, and the (S)PORT-II. The original (S)PORT utilizes a ductile iron body with brazed copper couplings along with a ductile iron cartridge assembly. The original (S)PORT is available in eight port sizes ranging from a 3/8" (03) to 2-5/8" (21) and with connection sizes up to 2-5/8" (21). A 1/4" SAE flare access fitting is standard on the upstream side of the valve's cartridge assembly. An open frame, class F leaded coil is provided as standard with all (S)PORT regulators. A class H coil with DIN connector is also available with certain voltages.

The (S)PORT-II, a more recent introduction, is made completely with corrosion resistant materials. Both the body and cartridge are an aluminum-bronze material, with the adapter and bonnet being aluminum. In addition, stainless steel bonnet bolts and adjusting stems are standard on all (S)PORT-II regulators. In contrast to the original (S)PORT, five port sizes are offered with the (S)PORT-II style of regulator, ranging from 3/8" (03) to 1-3/8" (11). The same open-frame coil housing which is standard on the (S)PORT is supplied with the (S)PORT-II. The access fitting on the (S)PORT-II is located on the upstream side of the valve body, and positioned to easily connect a gauge fitting for servicing. The (S)PORT-II

design specifically targets the rigorous application of a commercial evaporator pressure regulator — particularly those applications with hot gas defrost circuits. The corrosion resistant design of the (S)PORT-II is capable of withstanding the cooling and heating cycles to which these types of regulators are continually exposed.

All (S)PORT regulators are designed to be applied as a low side (evaporator) pressure regulator only. They are capable of being set to control pressures within a 10" to 120 psig (250mm Hg through 8.3 bar) range. For high side regulator applications, the Flo-Con A8 regulator should be considered.

Variations: PORT or PORT-II: Standard Inlet pressure regulator. (S)PORT or (S)PORT-II: Inlet pressure regulator with an electric shut-off feature. (S)PORT-B or (S)PORT-II-B: Inlet pressure regulator with an electric shut-off and electric wide opening, (or bypass) feature.

Installation: (S)PORT regulators use a spring loaded solenoid plunger design which assists the plunger in closing off tightly against the solenoid pilot seat regardless of position or orientation. The regulator can therefore be installed in either a horizontal or vertical pipe line regardless of the type of (S)PORT valve being installed (i.e. with or without a pilot solenoid).

When brazing in line, typically a wet cloth wrapped around the valve body is recommended to dissipate heat. **If a valve is disassembled prior to installation, always have the correct gasket/ O-ring kit available for reassembly.** The internal cartridge-to-body O-ring will need to be replaced prior to reassembly.

Adjustment: Adjustment of a regulator set point requires that the pressure being controlled be monitored by an accurate pressure gauge. Turning the

valves adjusting screw clockwise (into the bonnet) compresses the range spring and subsequently raises the valves set point. Conversely, turning the adjusting stem counter-clockwise will decrease the valves set point. Adjusting the set point of a (S)PORT regulator must be made with the solenoid energized, and the manual opening stem turned in. The inlet side solenoid only is required to be energized to adjust the set point on a (S)PORT-B. Depending on system design and system conditions, the pressure gauge may reflect some delay before a change in a regulator's set point actually results in a change in the pressure being maintained.

Electrical: All (S)PORT regulator versions utilize a molded water resistant class "F" solenoid coil with open frame housing as standard. A class "H" DIN coil is also available with certain voltages. Coils are designed to operate with line voltage from 85% to 110% of rated coil voltage. Operating with a coil voltage above or below these limits may result in coil burnout. Also, operating with a coil voltage below this limit will result in lowering the valves maximum opening pressure differential, or MOPD. Power consumption during normal operation will be 10 watts or less. The 208/240/60 Hz wide voltage range coil used on all (S)PORT regulators is rated at 280 MOPD. All other coils are rated at 300 MOPD.

Ordering Guide: Specify valve type (PORT, (S)PORT, (S)PORT-II, etc.), port and connection size in eighths of an inch (port size indicated first), and voltage, if applicable.

Suction Capacities – A8, (S)PORT & SC

A8, (S)PORT & SC – Suction Capacities (Tons)

R-22

| Evap Temp °F Evap Pressure psig | Pressure Drop psi | 03 3/8" 9mm | 05 5/8" 15mm | 07 7/8" 22mm | 09 1-1/8" 28mm | 11 1-3/8" 35mm | 13 1-5/8" 42mm | 17 2-1/8" 54mm | 21 2-5/8" 66mm |
|---------------------------------------|-------------------------|-------------------|--------------------|--------------------|----------------------|----------------------|----------------------|----------------------|----------------------|
| 50°F 84.0 psig | 1 | 0.74 | 1.88 | 2.65 | 3.37 | 5.97 | 8.90 | 15.66 | 20.06 |
| | 3 | 1.26 | 3.20 | 4.53 | 5.77 | 10.20 | 15.22 | 26.77 | 34.25 |
| | 5 | 1.59 | 4.08 | 5.77 | 7.36 | 12.99 | 19.41 | 34.09 | 43.60 |
| | 10 | 2.15 | 5.55 | 7.91 | 10.11 | 17.75 | 26.58 | 46.55 | 59.45 |
| 40°F 68.5 psig | 1 | 0.67 | 1.70 | 2.40 | 3.06 | 5.42 | 8.08 | 14.22 | 18.20 |
| | 3 | 1.14 | 2.90 | 4.10 | 5.23 | 9.24 | 13.79 | 24.24 | 31.01 |
| | 5 | 1.44 | 3.68 | 5.22 | 6.66 | 11.73 | 17.53 | 30.79 | 39.36 |
| | 10 | 1.92 | 4.98 | 7.11 | 9.09 | 15.92 | 23.87 | 41.76 | 53.30 |
| 30°F 54.9 psig | 1 | 0.61 | 1.54 | 2.17 | 2.77 | 4.90 | 7.31 | 12.86 | 16.46 |
| | 3 | 1.02 | 2.61 | 3.70 | 4.72 | 8.33 | 12.43 | 21.85 | 27.95 |
| | 5 | 1.29 | 3.31 | 4.69 | 5.99 | 10.55 | 15.77 | 27.67 | 35.36 |
| | 10 | 1.70 | 4.43 | 6.34 | 8.12 | 14.19 | 21.30 | 37.21 | 47.46 |
| 20°F 43.0 psig | 1 | 0.55 | 1.39 | 1.96 | 2.49 | 4.41 | 6.58 | 11.57 | 14.82 |
| | 3 | 0.92 | 2.34 | 3.32 | 4.23 | 7.47 | 11.16 | 19.59 | 25.06 |
| | 5 | 1.15 | 2.95 | 4.19 | 5.36 | 9.42 | 14.10 | 24.71 | 31.57 |
| | 10 | 1.49 | 3.91 | 5.62 | 7.20 | 12.54 | 18.85 | 32.88 | 41.89 |
| 10°F 32.7 psig | 1 | 0.49 | 1.24 | 1.75 | 2.23 | 3.95 | 5.89 | 10.37 | 13.27 |
| | 3 | 0.81 | 2.09 | 2.96 | 3.78 | 6.66 | 9.95 | 17.46 | 22.33 |
| | 5 | 1.01 | 2.61 | 3.72 | 4.76 | 8.35 | 12.51 | 21.91 | 27.98 |
| | 10 | 1.29 | 3.41 | 4.92 | 6.33 | 10.96 | 16.51 | 28.74 | 36.57 |
| 0°F 23.9 psig | 1 | 0.43 | 1.11 | 1.56 | 1.99 | 3.52 | 5.25 | 9.24 | 11.82 |
| | 3 | 0.72 | 1.85 | 2.62 | 3.35 | 5.89 | 8.81 | 15.46 | 19.76 |
| | 5 | 0.88 | 2.30 | 3.28 | 4.20 | 7.35 | 11.01 | 19.27 | 24.58 |
| | 10 | 1.09 | 2.93 | 4.27 | 5.49 | 9.46 | 14.29 | 24.79 | 31.50 |
| -10°F 16.4 psig | 1 | 0.38 | 0.98 | 1.38 | 1.76 | 3.12 | 4.65 | 8.18 | 10.47 |
| | 3 | 0.63 | 1.62 | 2.31 | 2.95 | 5.18 | 7.75 | 13.58 | 17.34 |
| | 5 | 0.76 | 1.99 | 2.86 | 3.67 | 6.39 | 9.60 | 16.77 | 21.38 |
| | 10 | 0.91 | 2.47 | 3.64 | 4.70 | 8.02 | 12.17 | 21.02 | 26.64 |
| -20°F 10.1 psig | 1 | 0.34 | 0.86 | 1.22 | 1.55 | 2.74 | 4.09 | 7.19 | 9.20 |
| | 3 | 0.54 | 1.41 | 2.01 | 2.57 | 4.50 | 6.75 | 11.81 | 15.08 |
| | 5 | 0.65 | 1.71 | 2.47 | 3.17 | 5.50 | 8.27 | 14.41 | 18.34 |
| | 10 | 0.73 | 2.04 | 3.04 | 3.94 | 6.65 | 10.14 | 17.41 | 21.98 |
| -30°F 4.8 psig | 1 | 0.29 | 0.75 | 1.06 | 1.36 | 2.39 | 3.57 | 6.28 | 8.03 |
| | 3 | 0.46 | 1.21 | 1.73 | 2.22 | 3.87 | 5.81 | 10.15 | 12.95 |
| | 5 | 0.54 | 1.44 | 2.09 | 2.70 | 4.65 | 7.02 | 12.18 | 15.47 |
| | 10 | 0.56 | 1.61 | 2.46 | 3.22 | 5.32 | 8.19 | 13.93 | 17.49 |
| -40°F 0.5 psig | 1 | 0.25 | 0.65 | 0.92 | 1.18 | 2.07 | 3.10 | 5.43 | 6.95 |
| | 3 | 0.39 | 1.02 | 1.47 | 1.89 | 3.28 | 4.94 | 8.60 | 10.95 |
| | 5 | 0.43 | 1.18 | 1.74 | 2.25 | 3.84 | 5.83 | 10.07 | 12.75 |
| | 10 | 0.43 | 1.23 | 1.90 | 2.52 | 4.06 | 6.31 | 10.63 | 13.34 |

Capacities are based on 100°F liquid, 10°F superheat at valve inlet, and are maximum for the conditions listed. For each 10°F liquid is below 100°F, INCREASE capacity values by 4%. (*Sizing charts are also available for Crankcase Pressure Regulators in sizes to 2-1/8 port only.)

Note: Due to conditions encountered with refrigeration circuits utilizing hot gas for defrosting purposes, a **maximum** pressure drop of 3 psi should be used in the regulator selection process. If a pressure drop of more than 3 psi is considered, the regulator could become restrictive after the termination of a defrost cycle, thereby requiring an extended pull down period. The **shaded** areas of the suction tables designate regulator capacities above a 3 psi pressure drop, and should not be considered for these types of systems.

Suction Capacities – A8, (S)PORT & SC

A8, (S)PORT & SC – Suction Capacities (Kilowatts)

R-22

| Evap Temp °C Evap Pressure bar | Pressure Drop bar | 03 3/8" 9mm | 05 5/8" 15mm | 07 7/8" 22mm | 09 1-1/8" 28mm | 11 1-3/8" 35mm | 13 1-5/8" 42mm | 17 2-1/8" 54mm | 21 2-5/8" 66mm |
|--------------------------------------|-------------------------|-------------------|--------------------|--------------------|----------------------|----------------------|----------------------|----------------------|----------------------|
| 10°C 5.8 bar | 0.07 | 2.57 | 6.53 | 9.20 | 11.71 | 20.76 | 30.95 | 54.47 | 69.74 |
| | 0.2 | 4.27 | 10.88 | 15.37 | 19.59 | 34.65 | 51.70 | 90.91 | 116.34 |
| | 0.4 | 5.88 | 15.07 | 21.35 | 27.25 | 48.04 | 71.78 | 126.04 | 161.16 |
| | 0.8 | 7.86 | 20.39 | 29.11 | 37.24 | 65.23 | 97.77 | 171.09 | 218.37 |
| 5°C 4.8 bar | 0.07 | 2.36 | 5.98 | 8.43 | 10.74 | 19.03 | 28.37 | 49.93 | 63.93 |
| | 0.2 | 3.90 | 9.95 | 14.07 | 17.93 | 31.70 | 47.30 | 83.16 | 106.41 |
| | 0.4 | 5.35 | 13.73 | 19.48 | 24.87 | 43.80 | 65.49 | 114.92 | 146.90 |
| | 0.8 | 7.08 | 18.44 | 26.39 | 33.79 | 59.07 | 88.62 | 154.91 | 197.59 |
| 0°C 4 bar | 0.07 | 2.15 | 5.46 | 7.70 | 9.81 | 17.38 | 25.91 | 45.59 | 58.37 |
| | 0.2 | 3.55 | 9.06 | 12.82 | 16.34 | 28.87 | 43.10 | 75.74 | 96.90 |
| | 0.4 | 4.84 | 12.45 | 17.69 | 22.59 | 39.74 | 59.44 | 104.25 | 133.21 |
| | 0.8 | 6.32 | 16.56 | 23.78 | 30.48 | 53.13 | 79.80 | 139.31 | 177.56 |
| -5°C 3.2 bar | 0.07 | 1.96 | 4.97 | 7.01 | 8.93 | 15.82 | 23.59 | 41.51 | 53.14 |
| | 0.2 | 3.22 | 8.22 | 11.64 | 14.84 | 26.20 | 39.13 | 68.74 | 87.93 |
| | 0.4 | 4.35 | 11.23 | 15.99 | 20.43 | 35.89 | 53.72 | 94.14 | 120.25 |
| | 0.8 | 5.60 | 14.77 | 21.29 | 27.32 | 47.46 | 71.41 | 124.44 | 158.45 |
| -10°C 2.6 bar | 0.07 | 1.77 | 4.51 | 6.36 | 8.11 | 14.35 | 21.41 | 37.66 | 48.21 |
| | 0.2 | 2.90 | 7.43 | 10.53 | 13.43 | 23.68 | 35.38 | 62.14 | 79.46 |
| | 0.4 | 3.89 | 10.08 | 14.38 | 18.39 | 32.24 | 48.30 | 84.56 | 107.96 |
| | 0.8 | 4.90 | 13.05 | 18.91 | 24.31 | 42.05 | 63.40 | 110.23 | 140.19 |
| -15°C 1.98 bar | 0.07 | 1.60 | 4.07 | 5.75 | 7.32 | 12.96 | 19.33 | 34.01 | 43.53 |
| | 0.2 | 2.60 | 6.67 | 9.47 | 12.08 | 21.29 | 31.82 | 55.84 | 71.39 |
| | 0.4 | 3.45 | 8.98 | 12.84 | 16.44 | 28.75 | 43.12 | 75.40 | 96.19 |
| | 0.8 | 4.23 | 11.40 | 16.62 | 21.42 | 36.83 | 55.68 | 96.53 | 122.56 |
| -20°C 1.46 bar | 0.07 | 1.44 | 3.66 | 5.17 | 6.59 | 11.65 | 17.38 | 30.57 | 39.12 |
| | 0.2 | 2.32 | 5.96 | 8.46 | 10.81 | 19.02 | 28.45 | 49.89 | 63.75 |
| | 0.4 | 3.03 | 7.93 | 11.38 | 14.59 | 25.43 | 38.20 | 66.68 | 84.99 |
| | 0.8 | 3.58 | 9.80 | 14.43 | 18.65 | 31.81 | 48.27 | 83.35 | 105.59 |
| -25°C 1.0 bar | 0.07 | 1.28 | 3.27 | 4.62 | 5.89 | 10.42 | 15.55 | 27.34 | 34.98 |
| | 0.2 | 2.05 | 5.28 | 7.52 | 9.61 | 16.88 | 25.27 | 44.27 | 56.54 |
| | 0.4 | 2.62 | 6.93 | 9.99 | 12.83 | 22.27 | 33.52 | 58.39 | 74.34 |
| | 0.8 | 2.95 | 8.27 | 12.32 | 15.98 | 26.98 | 41.15 | 70.66 | 89.23 |
| -30°C 0.63 bar | 0.07 | 1.14 | 2.91 | 4.11 | 5.24 | 9.26 | 13.83 | 24.30 | 31.09 |
| | 0.2 | 1.79 | 4.64 | 6.63 | 8.48 | 14.86 | 22.27 | 38.96 | 49.73 |
| | 0.4 | 2.24 | 5.97 | 8.67 | 11.16 | 19.26 | 29.07 | 50.49 | 64.18 |
| | 0.8 | 2.35 | 6.78 | 10.28 | 13.42 | 22.31 | 34.27 | 58.37 | 73.39 |
| -40°C 0.04 bar | 0.07 | 0.88 | 2.25 | 3.19 | 4.07 | 7.18 | 10.73 | 18.83 | 24.07 |
| | 0.2 | 1.32 | 3.47 | 5.00 | 6.42 | 11.16 | 16.78 | 29.26 | 37.26 |
| | 0.4 | 1.51 | 4.19 | 6.22 | 8.07 | 13.66 | 20.80 | 35.78 | 45.23 |
| | 0.8 | 1.49 | 4.24 | 6.50 | 8.56 | 13.99 | 21.61 | 36.59 | 45.92 |

Capacities are based on 40°C liquid, 5°C superheat at valve inlet, and are maximum for the conditions listed. For each 5°C liquid is below 40°C, INCREASE capacity values by 7%. (*Sizing charts are also available for Crankcase Pressure Regulators in sizes to 2-1/8 port only.)

Note: Due to conditions encountered with refrigeration circuits utilizing hot gas for defrosting purposes, a **maximum** pressure drop of .20 bar should be used in the regulator selection process. If a pressure drop of more than .20 bar is considered, the regulator could become restrictive after the termination of a defrost cycle, thereby requiring an extended pull down period. The **shaded** areas of the suction tables designate regulator capacities above a .20 bar pressure drop, and should not be considered for these types of systems.

Suction Capacities – A8, (S)PORT & SC

A8, (S)PORT & SC – Suction Capacities (Tons)

R-134a

| Evap Temp °F Evap Pressure psig | Pressure Drop psi | 03 3/8" 9mm | 05 5/8" 15mm | 07 7/8" 22mm | 09 1-1/8" 28mm | 11 1-3/8" 35mm | 13 1-5/8" 42mm | 17 2-1/8" 54mm | 21 2-5/8" 66mm |
|---------------------------------------|-------------------------|-------------------|--------------------|--------------------|----------------------|----------------------|----------------------|----------------------|----------------------|
| 50°F 45.4 psig | 1 | 0.58 | 1.47 | 2.07 | 2.64 | 4.67 | 6.96 | 12.25 | 15.68 |
| | 3 | 0.97 | 2.48 | 3.51 | 4.48 | 7.90 | 11.80 | 20.73 | 26.51 |
| | 5 | 1.21 | 3.12 | 4.44 | 5.67 | 9.96 | 14.91 | 26.14 | 33.39 |
| | 10 | 1.57 | 4.13 | 5.94 | 7.61 | 13.25 | 19.92 | 34.74 | 44.25 |
| 40°F 35.1 psig | 1 | 0.51 | 1.31 | 1.84 | 2.35 | 4.16 | 6.20 | 10.91 | 13.97 |
| | 3 | 0.86 | 2.20 | 3.11 | 3.97 | 7.00 | 10.47 | 18.38 | 23.49 |
| | 5 | 1.06 | 2.75 | 3.92 | 5.01 | 8.79 | 13.16 | 23.05 | 29.43 |
| | 10 | 1.35 | 3.58 | 5.18 | 6.65 | 11.52 | 17.36 | 30.20 | 38.43 |
| 30°F 26.1 psig | 1 | 0.46 | 1.16 | 1.64 | 2.08 | 3.69 | 5.50 | 9.67 | 12.38 |
| | 3 | 0.75 | 1.93 | 2.75 | 3.51 | 6.17 | 9.23 | 16.18 | 20.68 |
| | 5 | 0.92 | 2.40 | 3.43 | 4.39 | 7.69 | 11.53 | 20.16 | 25.72 |
| | 10 | 1.14 | 3.06 | 4.46 | 5.74 | 9.89 | 14.95 | 25.93 | 32.93 |
| 20°F 18.4 psig | 1 | 0.40 | 1.02 | 1.44 | 1.84 | 3.25 | 4.85 | 8.52 | 10.90 |
| | 3 | 0.65 | 1.69 | 2.40 | 3.07 | 5.39 | 8.07 | 14.14 | 18.07 |
| | 5 | 0.79 | 2.08 | 2.98 | 3.82 | 6.66 | 10.00 | 17.47 | 22.27 |
| | 10 | 0.94 | 2.58 | 3.79 | 4.89 | 8.36 | 12.68 | 21.90 | 27.75 |
| 10°F 11.9 psig | 1 | 0.35 | 0.89 | 1.26 | 1.61 | 2.84 | 4.25 | 7.46 | 9.55 |
| | 3 | 0.56 | 1.46 | 2.08 | 2.67 | 4.67 | 7.00 | 12.25 | 15.64 |
| | 5 | 0.67 | 1.77 | 2.56 | 3.29 | 5.70 | 8.58 | 14.95 | 19.04 |
| | 10 | 0.75 | 2.12 | 3.15 | 4.09 | 6.91 | 10.54 | 18.09 | 22.85 |
| 0°F 6.5 psig | 1 | 0.30 | 0.78 | 1.10 | 1.40 | 2.47 | 3.69 | 6.49 | 8.30 |
| | 3 | 0.48 | 1.25 | 1.79 | 2.29 | 4.00 | 6.01 | 10.50 | 13.39 |
| | 5 | 0.56 | 1.49 | 2.17 | 2.79 | 4.81 | 7.26 | 12.61 | 16.02 |
| | 10 | 0.57 | 1.68 | 2.55 | 3.34 | 5.53 | 8.51 | 14.48 | 18.19 |
| -10°F 2.0 psig | 1 | 0.26 | 0.67 | 0.95 | 1.21 | 2.13 | 3.19 | 5.59 | 7.15 |
| | 3 | 0.40 | 1.05 | 1.52 | 1.95 | 3.39 | 5.09 | 8.88 | 11.30 |
| | 5 | 0.45 | 1.23 | 1.80 | 2.33 | 3.98 | 6.03 | 10.41 | 13.20 |
| | 10 | 0.46 | 1.27 | 1.98 | 2.62 | 4.22 | 6.58 | 11.03 | 13.74 |

Capacities are based on 100°F liquid, 10°F superheat at valve inlet, and are maximum for the conditions listed. For each 10°F liquid is below 100°F, INCREASE capacity values by 4%. (*Sizing charts are also available for Crankcase Pressure Regulators in sizes to 2-1/8 port only.)

Note: Due to conditions encountered with refrigeration circuits utilizing hot gas for defrosting purposes, a **maximum** pressure drop of 3 psi should be used in the regulator selection process. If a pressure drop of more than 3 psi is considered, the regulator could become restrictive after the termination of a defrost cycle, thereby requiring an extended pull down period. The **shaded** areas of the suction tables designate regulator capacities above a 3 psi pressure drop, and should not be considered for these types of systems.

Suction Capacities – A8, (S)PORT & SC

A8, (S)PORT & SC – Suction Capacities (Kilowatts)

R-134a

| Evap Temp °C Evap Pressure bar | Pressure Drop bar | 03 3/8" 9mm | 05 5/8" 15mm | 07 7/8" 22mm | 09 1-1/8" 28mm | 11 1-3/8" 35mm | 13 1-5/8" 42mm | 17 2-1/8" 54mm | 21 2-5/8" 66mm |
|--------------------------------------|-------------------------|-------------------|--------------------|--------------------|----------------------|----------------------|----------------------|----------------------|----------------------|
| 10°C 3.13 bar | 0.07 | 2.05 | 5.03 | 7.25 | 9.30 | 16.50 | 24.60 | 43.20 | 55.20 |
| | 0.2 | 3.38 | 8.73 | 12.10 | 15.60 | 27.60 | 41.30 | 72.50 | 92.60 |
| | 0.35 | 4.31 | 10.90 | 15.70 | 20.20 | 35.80 | 53.50 | 93.80 | 119.90 |
| | 0.7 | 5.54 | 14.50 | 20.90 | 26.90 | 47.50 | 71.00 | 124.60 | 159.20 |
| 5°C 2.48 bar | 0.07 | 1.85 | 4.54 | 6.54 | 8.42 | 14.90 | 22.20 | 39.00 | 49.90 |
| | 0.2 | 3.02 | 7.56 | 10.90 | 14.00 | 24.80 | 37.10 | 65.10 | 83.10 |
| | 0.35 | 3.82 | 9.73 | 14.00 | 18.10 | 31.90 | 47.70 | 83.70 | 106.90 |
| | 0.7 | 4.82 | 12.80 | 18.40 | 23.70 | 41.80 | 62.50 | 109.70 | 140.20 |
| 0°C 1.92 bar | 0.07 | 1.65 | 4.07 | 5.87 | 7.56 | 13.40 | 20.00 | 35.00 | 44.80 |
| | 0.2 | 2.68 | 6.75 | 9.73 | 12.50 | 22.10 | 33.10 | 58.00 | 74.20 |
| | 0.35 | 3.36 | 8.62 | 12.40 | 16.00 | 28.30 | 42.20 | 74.10 | 94.70 |
| | 0.7 | 4.13 | 11.10 | 16.00 | 20.60 | 36.40 | 54.40 | 95.50 | 122.00 |
| -5°C 1.42 bar | 0.07 | 1.47 | 3.64 | 5.24 | 6.75 | 11.90 | 17.80 | 31.30 | 40.00 |
| | 0.2 | 2.36 | 5.98 | 8.61 | 11.10 | 19.60 | 29.30 | 51.40 | 65.70 |
| | 0.35 | 2.92 | 7.56 | 10.90 | 14.00 | 24.80 | 37.10 | 65.00 | 83.10 |
| | 0.7 | 3.49 | 9.54 | 13.80 | 17.70 | 31.30 | 46.80 | 82.10 | 104.90 |
| -10°C .993 bar | 0.07 | 1.30 | 3.23 | 4.65 | 5.99 | 10.60 | 15.80 | 27.80 | 35.50 |
| | 0.2 | 2.06 | 5.25 | 7.57 | 9.75 | 17.20 | 25.80 | 45.20 | 57.70 |
| | 0.35 | 2.50 | 6.57 | 9.47 | 12.20 | 21.50 | 32.20 | 56.50 | 72.20 |
| | 0.7 | 2.88 | 8.08 | 11.60 | 15.00 | 26.50 | 39.60 | 69.50 | 88.80 |
| -15°C .625 bar | 0.07 | 1.15 | 2.85 | 4.10 | 5.28 | 9.34 | 14.00 | 24.50 | 31.30 |
| | 0.2 | 1.78 | 4.57 | 6.59 | 8.49 | 15.00 | 22.40 | 39.30 | 50.30 |
| | 0.35 | 2.12 | 5.64 | 8.12 | 10.50 | 18.50 | 27.60 | 48.50 | 61.90 |
| | 0.7 | 2.32 | 6.71 | 9.68 | 12.50 | 22.00 | 32.90 | 57.70 | 73.80 |
| -20°C .3149 bar | 0.07 | 1.00 | 2.50 | 3.60 | 4.63 | 8.19 | 12.20 | 21.50 | 27.40 |
| | 0.2 | 1.52 | 3.94 | 5.68 | 7.31 | 12.90 | 19.30 | 33.90 | 43.30 |
| | 0.35 | 1.76 | 4.77 | 6.87 | 8.85 | 15.60 | 23.40 | 41.00 | 52.40 |
| | 0.7 | 1.87 | 5.46 | 7.88 | 10.10 | 17.90 | 26.80 | 47.00 | 60.00 |

Capacities are based on 40°C liquid, 5°C superheat at valve inlet, and are maximum for the conditions listed. For each 5°C liquid is below 40°C, INCREASE capacity values by 7%. (*Sizing charts are also available for Crankcase Pressure Regulators in sizes to 2-1/8 port only.)

Note: Due to conditions encountered with refrigeration circuits utilizing hot gas for defrosting purposes, a **maximum** pressure drop of .20 bar should be used in the regulator selection process. If a pressure drop of more than .20 bar is considered, the regulator could become restrictive after the termination of a defrost cycle, thereby requiring an extended pull down period. The **shaded** areas of the suction tables designate regulator capacities above a .20 bar pressure drop, and should not be considered for these types of systems.

Suction Capacities – A8, (S)PORT & SC

A8, (S)PORT & SC – Suction Capacities (Tons)

R-404A

| Evap Temp °F Evap Pressure psig | Pressure Drop psi | 03 3/8" 9mm | 05 5/8" 15mm | 07 7/8" 22mm | 09 1-1/8" 28mm | 11 1-3/8" 35mm | 13 1-5/8" 42mm | 17 2-1/8" 54mm | 21 2-5/8" 66mm |
|---------------------------------------|-------------------------|-------------------|--------------------|--------------------|----------------------|----------------------|----------------------|----------------------|----------------------|
| 50°F 104.7 psig | 1 | 0.63 | 1.60 | 2.26 | 2.87 | 5.09 | 7.59 | 13.36 | 17.10 |
| | 3 | 1.08 | 2.74 | 3.87 | 4.93 | 8.71 | 13.00 | 22.87 | 29.26 |
| | 5 | 1.37 | 3.49 | 4.94 | 6.30 | 11.12 | 16.60 | 29.17 | 37.32 |
| | 10 | 1.85 | 4.78 | 6.80 | 8.68 | 15.26 | 22.84 | 40.03 | 51.14 |
| 40°F 86.4 psig | 1 | 0.56 | 1.43 | 2.02 | 2.57 | 4.55 | 6.79 | 11.95 | 15.30 |
| | 3 | 0.96 | 2.44 | 3.45 | 4.40 | 7.78 | 11.61 | 20.42 | 26.13 |
| | 5 | 1.22 | 3.11 | 4.40 | 5.62 | 9.91 | 14.80 | 25.99 | 33.24 |
| | 10 | 1.64 | 4.23 | 6.03 | 7.71 | 13.52 | 20.25 | 35.47 | 45.29 |
| 30°F 70.3 psig | 1 | 0.50 | 1.27 | 1.80 | 2.29 | 4.05 | 6.04 | 10.64 | 13.62 |
| | 3 | 0.85 | 2.17 | 3.07 | 3.91 | 6.91 | 10.31 | 18.13 | 23.19 |
| | 5 | 1.07 | 2.75 | 3.90 | 4.98 | 8.77 | 13.11 | 23.02 | 29.43 |
| | 10 | 1.43 | 3.72 | 5.31 | 6.79 | 11.89 | 17.83 | 31.19 | 39.80 |
| 20°F 56.2 psig | 1 | 0.45 | 1.13 | 1.59 | 2.03 | 3.59 | 5.36 | 9.43 | 12.07 |
| | 3 | 0.75 | 1.92 | 2.71 | 3.46 | 6.10 | 9.11 | 16.01 | 20.48 |
| | 5 | 0.94 | 2.42 | 3.44 | 4.39 | 7.72 | 11.55 | 20.26 | 25.90 |
| | 10 | 1.24 | 3.24 | 4.64 | 5.94 | 10.38 | 15.58 | 27.21 | 34.70 |
| 10°F 44.0 psig | 1 | 0.39 | 0.99 | 1.40 | 1.79 | 3.16 | 4.72 | 8.30 | 10.63 |
| | 3 | 0.66 | 1.68 | 2.38 | 3.03 | 5.35 | 8.00 | 14.04 | 17.96 |
| | 5 | 0.82 | 2.11 | 3.00 | 3.84 | 6.75 | 10.09 | 17.69 | 22.61 |
| | 10 | 1.06 | 2.79 | 4.01 | 5.15 | 8.96 | 13.47 | 23.49 | 29.92 |
| 0°F 33.5 psig | 1 | 0.34 | 0.87 | 1.23 | 1.57 | 2.78 | 4.14 | 7.28 | 9.32 |
| | 3 | 0.57 | 1.46 | 2.08 | 2.65 | 4.67 | 6.98 | 12.25 | 15.66 |
| | 5 | 0.71 | 1.83 | 2.61 | 3.34 | 5.85 | 8.77 | 15.35 | 19.60 |
| | 10 | 0.90 | 2.38 | 3.44 | 4.42 | 7.66 | 11.54 | 20.07 | 25.53 |
| -10°F 24.5 psig | 1 | 0.30 | 0.76 | 1.07 | 1.37 | 2.42 | 3.61 | 6.34 | 8.11 |
| | 3 | 0.49 | 1.27 | 1.80 | 2.30 | 4.04 | 6.04 | 10.60 | 13.54 |
| | 5 | 0.60 | 1.57 | 2.25 | 2.87 | 5.03 | 7.54 | 13.18 | 16.81 |
| | 10 | 0.74 | 1.99 | 2.91 | 3.74 | 6.44 | 9.73 | 16.87 | 21.42 |
| -20°F 16.8 psig | 1 | 0.26 | 0.66 | 0.93 | 1.18 | 2.09 | 3.12 | 5.48 | 7.01 |
| | 3 | 0.42 | 1.08 | 1.54 | 1.97 | 3.46 | 5.18 | 9.08 | 11.59 |
| | 5 | 0.51 | 1.33 | 1.91 | 2.45 | 4.26 | 6.41 | 11.18 | 14.25 |
| | 10 | 0.60 | 1.64 | 2.41 | 3.12 | 5.31 | 8.06 | 13.91 | 17.61 |
| -30°F 10.4 psig | 1 | 0.22 | 0.56 | 0.80 | 1.01 | 1.79 | 2.67 | 4.70 | 6.01 |
| | 3 | 0.35 | 0.92 | 1.31 | 1.67 | 2.93 | 4.39 | 7.68 | 9.81 |
| | 5 | 0.42 | 1.11 | 1.60 | 2.06 | 3.56 | 5.37 | 9.34 | 11.88 |
| | 10 | 0.46 | 1.30 | 1.95 | 2.53 | 4.26 | 6.51 | 11.15 | 14.06 |
| -40°F 5.0 psig | 1 | 0.19 | 0.48 | 0.68 | 0.86 | 1.52 | 2.27 | 3.99 | 5.10 |
| | 3 | 0.29 | 0.76 | 1.09 | 1.40 | 2.45 | 3.67 | 6.41 | 8.17 |
| | 5 | 0.34 | 0.90 | 1.32 | 1.70 | 2.92 | 4.41 | 7.64 | 9.70 |
| | 10 | 0.34 | 0.99 | 1.52 | 1.99 | 3.27 | 5.06 | 8.56 | 10.73 |

Capacities are based on 100°F liquid, 10°F superheat at valve inlet, and are maximum for the conditions listed. For each 10°F liquid is below 100°F, INCREASE capacity values by 4%. (*Sizing charts are also available for Crankcase Pressure Regulators in sizes to 2-1/8 port only.)

Note: Due to conditions encountered with refrigeration circuits utilizing hot gas for defrosting purposes, a **maximum** pressure drop of 3 psi should be used in the regulator selection process. If a pressure drop of more than 3 psi is considered, the regulator could become restrictive after the termination of a defrost cycle, thereby requiring an extended pull down period. The **shaded** areas of the suction tables designate regulator capacities above a 3 psi pressure drop, and should not be considered for these types of systems.

Suction Capacities – A8, (S)PORT & SC

A8, (S)PORT & SC – Suction Capacities (Kilowatts)

R-404A

| Evap Temp °C Evap Pressure bar | Pressure Drop bar | 03 3/8" 9mm | 05 5/8" 15mm | 07 7/8" 22mm | 09 1-1/8" 28mm | 11 1-3/8" 35mm | 13 1-5/8" 42mm | 17 2-1/8" 54mm | 21 2-5/8" 66mm |
|--------------------------------------|-------------------------|-------------------|--------------------|--------------------|----------------------|----------------------|----------------------|----------------------|----------------------|
| 10°C 8.1 bar | 0.07 | 2.15 | 5.46 | 7.70 | 9.80 | 17.37 | 25.90 | 45.59 | 58.37 |
| | 0.2 | 3.59 | 9.13 | 12.88 | 16.42 | 29.05 | 43.33 | 76.22 | 97.55 |
| | 0.4 | 4.95 | 12.67 | 17.94 | 22.89 | 40.38 | 60.32 | 105.95 | 135.51 |
| | 0.8 | 6.67 | 17.25 | 24.58 | 31.43 | 55.15 | 82.59 | 144.66 | 184.72 |
| 5°C 7.0 bar | 0.07 | 1.94 | 4.93 | 6.96 | 8.86 | 15.69 | 23.40 | 41.18 | 52.73 |
| | 0.2 | 3.23 | 8.23 | 11.62 | 14.81 | 26.19 | 39.08 | 68.73 | 87.95 |
| | 0.4 | 4.44 | 11.39 | 16.14 | 20.60 | 36.32 | 54.27 | 95.28 | 121.83 |
| | 0.8 | 5.94 | 15.41 | 22.00 | 28.15 | 49.31 | 73.90 | 129.32 | 165.06 |
| 0°C 6.0 bar | 0.07 | 1.75 | 4.44 | 6.27 | 7.98 | 14.14 | 21.08 | 37.10 | 47.50 |
| | 0.2 | 2.90 | 7.39 | 10.45 | 13.32 | 23.55 | 35.14 | 61.78 | 79.05 |
| | 0.4 | 3.97 | 10.20 | 14.47 | 18.47 | 32.54 | 48.64 | 85.35 | 109.11 |
| | 0.8 | 5.25 | 13.69 | 19.60 | 25.09 | 43.86 | 65.80 | 115.01 | 146.70 |
| -5°C 5.1 bar | 0.07 | 1.57 | 3.99 | 5.62 | 7.16 | 12.68 | 18.91 | 33.28 | 42.60 |
| | 0.2 | 2.59 | 6.61 | 9.35 | 11.92 | 21.07 | 31.45 | 55.27 | 70.71 |
| | 0.4 | 3.53 | 9.08 | 12.90 | 16.48 | 28.99 | 43.36 | 76.05 | 97.17 |
| | 0.8 | 4.61 | 12.07 | 17.34 | 22.22 | 38.73 | 58.18 | 101.55 | 129.43 |
| -10°C 4.3 bar | 0.07 | 1.40 | 3.56 | 5.02 | 6.39 | 11.32 | 16.88 | 29.70 | 38.03 |
| | 0.2 | 2.30 | 5.88 | 8.33 | 10.62 | 18.75 | 27.99 | 49.18 | 62.90 |
| | 0.4 | 3.11 | 8.03 | 11.43 | 14.61 | 25.66 | 38.42 | 67.32 | 85.98 |
| | 0.8 | 3.99 | 10.55 | 15.21 | 19.52 | 33.90 | 51.01 | 88.88 | 113.16 |
| -15°C 3.6 bar | 0.07 | 1.24 | 3.16 | 4.46 | 5.68 | 10.06 | 15.00 | 26.40 | 33.79 |
| | 0.2 | 2.03 | 5.20 | 7.37 | 9.41 | 16.59 | 24.79 | 43.53 | 55.66 |
| | 0.4 | 2.72 | 7.06 | 10.07 | 12.88 | 22.57 | 33.82 | 59.20 | 75.57 |
| | 0.8 | 3.42 | 9.12 | 13.22 | 17.00 | 29.39 | 44.32 | 77.03 | 97.95 |
| -20°C 3.0 bar | 0.07 | 1.10 | 2.80 | 3.95 | 5.03 | 8.91 | 13.29 | 23.38 | 29.92 |
| | 0.2 | 1.79 | 4.58 | 6.50 | 8.30 | 14.62 | 21.86 | 38.36 | 49.03 |
| | 0.4 | 2.36 | 6.16 | 8.81 | 11.28 | 19.72 | 29.59 | 51.73 | 65.99 |
| | 0.8 | 2.89 | 7.80 | 11.38 | 14.67 | 25.20 | 38.12 | 66.04 | 83.84 |
| -25°C 2.5 bar | 0.07 | 0.97 | 2.46 | 3.48 | 4.43 | 7.84 | 11.69 | 20.56 | 26.31 |
| | 0.2 | 1.56 | 4.00 | 5.69 | 7.27 | 12.78 | 19.12 | 33.52 | 42.83 |
| | 0.4 | 2.03 | 5.32 | 7.64 | 9.79 | 17.06 | 25.63 | 44.73 | 57.00 |
| | 0.8 | 2.38 | 6.55 | 9.65 | 12.47 | 21.25 | 32.27 | 55.68 | 70.51 |
| -30°C 2.0 bar | 0.07 | 0.84 | 2.15 | 3.04 | 3.88 | 6.85 | 10.22 | 17.97 | 22.99 |
| | 0.2 | 1.34 | 3.47 | 4.94 | 6.31 | 11.08 | 16.59 | 29.06 | 37.11 |
| | 0.4 | 1.71 | 4.54 | 6.55 | 8.41 | 14.58 | 21.96 | 38.24 | 48.67 |
| | 0.8 | 1.91 | 5.37 | 8.03 | 10.42 | 17.56 | 26.81 | 45.98 | 58.03 |
| -40°C 1.3 bar | 0.07 | 0.63 | 1.60 | 2.27 | 2.90 | 5.11 | 7.64 | 13.42 | 17.16 |
| | 0.2 | 0.96 | 2.52 | 3.61 | 4.62 | 8.07 | 12.11 | 21.16 | 26.97 |
| | 0.4 | 1.15 | 3.13 | 4.60 | 5.94 | 10.15 | 15.39 | 26.60 | 33.72 |
| | 0.8 | 1.14 | 3.24 | 5.07 | 6.70 | 10.81 | 16.85 | 28.25 | 35.19 |

Capacities are based on 40°C liquid, 5°C superheat at valve inlet, and are maximum for the conditions listed. For each 5°C liquid is below 40°C, INCREASE capacity values by 7%. (*Sizing charts are also available for Crankcase Pressure Regulators in sizes to 2-1/8 port only.)

Note: Due to conditions encountered with refrigeration circuits utilizing hot gas for defrosting purposes, a **maximum** pressure drop of .20 bar should be used in the regulator selection process. If a pressure drop of more than .20 bar is considered, the regulator could become restrictive after the termination of a defrost cycle, thereby requiring an extended pull down period. The **shaded** areas of the suction tables designate regulator capacities above a .20 bar pressure drop, and should not be considered for these types of systems.

Suction Capacities – A8, (S)PORT & SC

A8, (S)PORT & SC – Suction Capacities (Tons)

R-507

| Evap Temp °F Evap Pressure psig | Pressure Drop psi | 03 3/8" 9mm | 05 5/8" 15mm | 07 7/8" 22mm | 09 1-1/8" 28mm | 11 1-3/8" 35mm | 13 1-5/8" 42mm | 17 2-1/8" 54mm | 21 2-5/8" 66mm |
|---------------------------------------|-------------------------|-------------------|--------------------|--------------------|----------------------|----------------------|----------------------|----------------------|----------------------|
| 50°F 109 psig | 1 | 0.66 | 1.66 | 2.34 | 2.98 | 5.29 | 7.88 | 13.88 | 17.77 |
| | 3 | 1.12 | 2.85 | 4.02 | 5.12 | 9.06 | 13.51 | 23.77 | 30.42 |
| | 5 | 1.42 | 3.63 | 5.13 | 6.55 | 11.56 | 17.26 | 30.34 | 38.81 |
| | 10 | 1.93 | 4.97 | 7.07 | 9.04 | 15.89 | 23.77 | 41.67 | 53.24 |
| 40°F 89.8 psig | 1 | 0.59 | 1.49 | 2.10 | 2.68 | 4.74 | 7.07 | 12.44 | 15.93 |
| | 3 | 1.00 | 2.55 | 3.60 | 4.58 | 8.11 | 12.09 | 21.27 | 27.22 |
| | 5 | 1.27 | 3.24 | 4.59 | 5.85 | 10.33 | 15.42 | 27.09 | 34.65 |
| | 10 | 1.71 | 4.41 | 6.29 | 8.04 | 14.11 | 21.13 | 37.01 | 47.26 |
| 30°F 73.3 psig | 1 | 0.52 | 1.33 | 1.88 | 2.39 | 4.23 | 6.31 | 11.11 | 14.23 |
| | 3 | 0.89 | 2.27 | 3.21 | 4.09 | 7.22 | 10.78 | 18.94 | 24.24 |
| | 5 | 1.12 | 2.88 | 4.08 | 5.20 | 9.17 | 13.71 | 24.07 | 30.77 |
| | 10 | 1.50 | 3.89 | 5.56 | 7.11 | 12.45 | 18.67 | 32.66 | 41.69 |
| 20°F 58.8 psig | 1 | 0.47 | 1.18 | 1.67 | 2.13 | 3.76 | 5.61 | 9.88 | 12.64 |
| | 3 | 0.79 | 2.01 | 2.84 | 3.62 | 6.40 | 9.55 | 16.79 | 21.47 |
| | 5 | 0.99 | 2.54 | 3.60 | 4.60 | 8.10 | 12.11 | 21.26 | 27.17 |
| | 10 | 1.31 | 3.40 | 4.88 | 6.24 | 10.91 | 16.37 | 28.60 | 36.48 |
| 10°F 46.1 psig | 1 | 0.41 | 1.05 | 1.48 | 1.88 | 3.33 | 4.96 | 8.73 | 11.18 |
| | 3 | 0.69 | 1.77 | 2.50 | 3.19 | 5.64 | 8.42 | 14.78 | 18.91 |
| | 5 | 0.86 | 2.23 | 3.17 | 4.04 | 7.11 | 10.63 | 18.65 | 23.82 |
| | 10 | 1.12 | 2.95 | 4.24 | 5.44 | 9.46 | 14.22 | 24.81 | 31.62 |
| 0°F 35.2 psig | 1 | 0.36 | 0.92 | 1.30 | 1.65 | 2.93 | 4.36 | 7.68 | 9.83 |
| | 3 | 0.60 | 1.55 | 2.19 | 2.80 | 4.93 | 7.37 | 12.93 | 16.54 |
| | 5 | 0.75 | 1.94 | 2.76 | 3.53 | 6.19 | 9.26 | 16.23 | 20.72 |
| | 10 | 0.95 | 2.52 | 3.65 | 4.68 | 8.12 | 12.23 | 21.28 | 27.08 |
| -10°F 25.8 psig | 1 | 0.32 | 0.80 | 1.13 | 1.44 | 2.56 | 3.81 | 6.71 | 8.58 |
| | 3 | 0.52 | 1.34 | 1.90 | 2.43 | 4.28 | 6.40 | 11.22 | 14.34 |
| | 5 | 0.64 | 1.67 | 2.38 | 3.05 | 5.33 | 7.99 | 13.98 | 17.84 |
| | 10 | 0.79 | 2.13 | 3.09 | 3.98 | 6.86 | 10.37 | 17.98 | 22.84 |
| -20°F 17.8 psig | 1 | 0.27 | 0.70 | 0.98 | 1.25 | 2.22 | 3.31 | 5.81 | 7.44 |
| | 3 | 0.45 | 1.15 | 1.64 | 2.09 | 3.68 | 5.51 | 9.65 | 12.32 |
| | 5 | 0.54 | 1.42 | 2.03 | 2.60 | 4.54 | 6.82 | 11.91 | 15.18 |
| | 10 | 0.64 | 1.75 | 2.58 | 3.33 | 5.69 | 8.63 | 14.91 | 18.89 |
| -30°F 11.1 psig | 1 | 0.23 | 0.60 | 0.85 | 1.08 | 1.91 | 2.85 | 5.00 | 6.40 |
| | 3 | 0.38 | 0.98 | 1.40 | 1.79 | 3.13 | 4.69 | 8.20 | 10.47 |
| | 5 | 0.45 | 1.19 | 1.71 | 2.20 | 3.81 | 5.74 | 9.99 | 12.72 |
| | 10 | 0.50 | 1.41 | 2.10 | 2.73 | 4.60 | 7.01 | 12.03 | 15.19 |
| -40°F 5.5 psig | 1 | 0.20 | 0.51 | 0.72 | 0.92 | 1.62 | 2.43 | 4.26 | 5.45 |
| | 3 | 0.31 | 0.82 | 1.17 | 1.50 | 2.62 | 3.94 | 6.88 | 8.77 |
| | 5 | 0.36 | 0.97 | 1.42 | 1.82 | 3.14 | 4.74 | 8.23 | 10.45 |
| | 10 | 0.37 | 1.08 | 1.65 | 2.16 | 3.57 | 5.50 | 9.34 | 11.72 |

Capacities are based on 100°F liquid, 10°F superheat at valve inlet, and are maximum for the conditions listed. For each 10°F liquid is below 100°F, INCREASE capacity values by 4%. (*Sizing charts are also available for Crankcase Pressure Regulators in sizes to 2-1/8 port only.)

Note: Due to conditions encountered with refrigeration circuits utilizing hot gas for defrosting purposes, a **maximum** pressure drop of 3 psi should be used in the regulator selection process. If a pressure drop of more than 3 psi is considered, the regulator could become restrictive after the termination of a defrost cycle, thereby requiring an extended pull down period. The **shaded** areas of the suction tables designate regulator capacities above a 3 psi pressure drop, and should not be considered for these types of systems.

Suction Capacities – A8, (S)PORT & SC

A8, (S)PORT & SC – Suction Capacities (Kilowatts)

R-507

| Evap Temp °C Evap Pressure bar | Pressure Drop bar | 03 3/8" 9mm | 05 5/8" 15mm | 07 7/8" 22mm | 09 1-1/8" 28mm | 11 1-3/8" 35mm | 13 1-5/8" 42mm | 17 2-1/8" 54mm | 21 2-5/8" 66mm |
|--------------------------------------|-------------------------|-------------------|--------------------|--------------------|----------------------|----------------------|----------------------|----------------------|----------------------|
| 10°C 7.5 bar | 0.07 | 2.25 | 5.70 | 8.03 | 10.23 | 18.13 | 27.03 | 47.58 | 60.92 |
| | 0.2 | 3.74 | 9.53 | 13.45 | 17.14 | 30.32 | 45.24 | 79.57 | 101.83 |
| | 0.4 | 5.18 | 13.24 | 18.74 | 23.90 | 42.18 | 63.00 | 110.67 | 141.55 |
| | 0.8 | 6.98 | 18.04 | 25.70 | 32.85 | 57.67 | 86.35 | 151.27 | 193.19 |
| 5°C 6.3 bar | 0.07 | 2.03 | 5.16 | 7.28 | 9.27 | 16.42 | 24.48 | 43.09 | 55.17 |
| | 0.2 | 3.38 | 8.61 | 12.16 | 15.50 | 27.42 | 40.91 | 71.94 | 92.07 |
| | 0.4 | 4.66 | 11.93 | 16.91 | 21.57 | 38.04 | 56.84 | 99.80 | 127.62 |
| | 0.8 | 6.24 | 16.17 | 23.07 | 29.51 | 51.72 | 77.50 | 135.65 | 173.16 |
| 0°C 5.26 bar | 0.07 | 1.84 | 4.66 | 6.57 | 8.37 | 14.83 | 22.11 | 38.91 | 49.82 |
| | 0.2 | 3.04 | 7.76 | 10.97 | 13.98 | 24.71 | 36.88 | 64.83 | 82.96 |
| | 0.4 | 4.17 | 10.71 | 15.20 | 19.40 | 34.17 | 51.08 | 89.65 | 114.60 |
| | 0.8 | 5.53 | 14.41 | 20.61 | 26.39 | 46.14 | 69.21 | 121.01 | 154.38 |
| -5°C 4.3 bar | 0.07 | 1.65 | 4.19 | 5.91 | 7.53 | 13.34 | 19.89 | 35.00 | 44.81 |
| | 0.2 | 2.73 | 6.96 | 9.84 | 12.55 | 22.17 | 33.10 | 58.18 | 74.43 |
| | 0.4 | 3.72 | 9.57 | 13.59 | 17.36 | 30.54 | 45.68 | 80.13 | 102.40 |
| | 0.8 | 4.87 | 12.75 | 18.30 | 23.45 | 40.89 | 61.42 | 107.24 | 136.70 |
| -10°C 3.5 bar | 0.07 | 1.48 | 3.76 | 5.30 | 6.75 | 11.95 | 17.82 | 31.36 | 40.14 |
| | 0.2 | 2.43 | 6.22 | 8.80 | 11.22 | 19.80 | 29.57 | 51.96 | 66.46 |
| | 0.4 | 3.29 | 8.50 | 12.09 | 15.45 | 27.15 | 40.63 | 71.21 | 90.97 |
| | 0.8 | 4.25 | 11.19 | 16.12 | 20.69 | 35.96 | 54.09 | 94.28 | 120.08 |
| -15°C 2.8 bar | 0.07 | 1.32 | 3.35 | 4.73 | 6.02 | 10.66 | 15.89 | 27.96 | 35.80 |
| | 0.2 | 2.16 | 5.52 | 7.82 | 9.97 | 17.59 | 26.28 | 46.16 | 59.03 |
| | 0.4 | 2.89 | 7.50 | 10.69 | 13.67 | 23.97 | 35.91 | 62.87 | 80.27 |
| | 0.8 | 3.66 | 9.73 | 14.08 | 18.10 | 31.32 | 47.21 | 82.10 | 104.44 |
| -20°C 2.1 bar | 0.07 | 1.17 | 2.97 | 4.20 | 5.34 | 9.46 | 14.11 | 24.82 | 31.77 |
| | 0.2 | 1.90 | 4.87 | 6.91 | 8.82 | 15.54 | 23.23 | 40.77 | 52.12 |
| | 0.4 | 2.52 | 6.56 | 9.38 | 12.01 | 21.01 | 31.51 | 55.10 | 70.30 |
| | 0.8 | 3.10 | 8.35 | 12.17 | 15.67 | 26.97 | 40.76 | 70.68 | 89.75 |
| -25°C 1.6 bar | 0.07 | 1.03 | 2.62 | 3.70 | 4.72 | 8.35 | 12.45 | 21.90 | 28.03 |
| | 0.2 | 1.66 | 4.27 | 6.07 | 7.75 | 13.63 | 20.39 | 35.76 | 45.70 |
| | 0.4 | 2.17 | 5.69 | 8.16 | 10.46 | 18.24 | 27.40 | 47.84 | 60.98 |
| | 0.8 | 2.58 | 7.05 | 10.37 | 13.40 | 22.87 | 34.69 | 59.92 | 75.92 |
| -30°C 2.1 bar | 0.07 | 0.90 | 2.30 | 3.25 | 4.14 | 7.32 | 10.92 | 19.20 | 24.56 |
| | 0.2 | 1.44 | 3.71 | 5.28 | 6.75 | 11.86 | 17.75 | 31.10 | 39.72 |
| | 0.4 | 1.84 | 4.87 | 7.02 | 9.02 | 15.66 | 23.56 | 41.05 | 52.27 |
| | 0.8 | 2.08 | 5.82 | 8.67 | 11.25 | 19.00 | 28.97 | 49.76 | 62.86 |
| -40°C 0.38 bar | 0.07 | 0.68 | 1.73 | 2.45 | 3.12 | 5.51 | 8.22 | 14.44 | 18.47 |
| | 0.2 | 1.04 | 2.72 | 3.90 | 4.99 | 8.71 | 13.08 | 22.85 | 29.13 |
| | 0.4 | 1.25 | 3.41 | 4.99 | 6.44 | 11.03 | 16.70 | 28.89 | 36.65 |
| | 0.8 | 1.25 | 3.58 | 5.58 | 7.36 | 11.94 | 18.55 | 31.20 | 38.95 |

Capacities are based on 40°C liquid, 5°C superheat at valve inlet, and are maximum for the conditions listed. For each 5°C liquid is below 40°C, INCREASE capacity values by 7%. (*Sizing charts are also available for Crankcase Pressure Regulators in sizes to 2-1/8 port only.)

Note: Due to conditions encountered with refrigeration circuits utilizing hot gas for defrosting purposes, a **maximum** pressure drop of .20 bar should be used in the regulator selection process. If a pressure drop of more than .20 bar is considered, the regulator could become restrictive after the termination of a defrost cycle, thereby requiring an extended pull down period. The **shaded** areas of the suction tables designate regulator capacities above a .20 bar pressure drop, and should not be considered for these types of systems.

A8 Pressure Regulator

Features and Benefits

- Dual range spring for flexibility in application
- Highest capacity commercial regulator in the industry
- Molded Class H coil construction
- Internally pilot operated
- Manual opening stem
- Interchangeable capacity cartridges
- Inlet, outlet or differential control capability
- Solder in place without disassembly
- Inlet access fitting as standard
- Electric shut-off and electric wide open variations
- Excellent regulation at light loads
- DIN coil assemblies available

Specifications

- Control range: 10" Hg to 400 psig (250mm Hg to 27.6 bar)
- Minimum fluid temperature -40°F (-40°C)
- Design Pressure (M.R.P.): 450 psig (31.0 bar)
- UL listed (except 50 Hz versions), file SA5473
- CSA certified, file LR20991-14

Standard Voltages

- 120V/60Hz, 110V/50Hz
- 240V/60Hz, 220V/50Hz
- 280V/60Hz
- 240V/60Hz, 220V/50Hz (DIN)
- 240V/50Hz (DIN)



Nomenclature (Example)

| | | | | |
|---------------------|------------------|---------------------------------------|----------------------------|----------------------------------|
| A8 | A | BL | 7/8" | 1-1/8" |
| Valve Family | Body Size | Optional Variation (see chart) | Port Size in Inches | Connection Size in Inches |

Valve Types: A8A, A81, A82. All are inlet pressure regulators. Optional adaptor functions are as follows:

| | |
|--------------|---|
| "S" Suffix | Inlet Regulator with Electric Shut-Off |
| "B" Suffix | Inlet Regulator with Electric Bypass Feature |
| "L" Suffix | Differential Pressure Regulator |
| "BL" Suffix | Differential Regulator with Electric Bypass Feature |
| "OE" Suffix | Outlet Pressure Regulator |
| "OES" Suffix | Outlet Pressure Regulator with Electric Shut-Off |

A8 Port/Connection Size Combinations

| Type | Port Size | | Connection Sizes Available |
|------|-----------|----|--|
| | Inches | mm | |
| A8A | 3/8 | 9 | 5/8"/15mm, 7/8"/22mm, 1-1/8"/28mm |
| | 5/8 | 15 | 5/8"/15mm, 7/8"/22mm, 1-1/8"/28mm |
| | 7/8 | 22 | 7/8"/22mm, 1-1/8"/28mm |
| A81 | 5/8 | 15 | 1-1/8"/28mm, 1-3/8"/35mm |
| | 7/8 | 22 | 1-1/8"/28mm, 1-3/8"/35mm, 1-5/8"/42mm, 2-1/8"/54mm |
| | 1-1/8 | 28 | 1-1/8"/28mm, 1-3/8"/35mm, 1-5/8"/42mm, 2-1/8"/54mm |
| | 1-3/8 | 35 | 1-1/8"/28mm, 1-3/8"/35mm, 1-5/8"/42mm, 2-1/8"/54mm |
| A82 | 1-5/8 | 42 | 1-5/8"/42mm, 2-1/8"/54mm, 2-5/8"/66mm |
| | 2-1/8 | 54 | 1-5/8"/42mm, 2-1/8"/54mm, 2-5/8"/66mm |
| | 2-5/8 | 66 | 1-5/8"/42mm, 2-1/8"/54mm, 2-5/8"/66mm |

Technical Information

Description/Variations: A8 Pressure regulators can conveniently be identified by three primary types: inlet, outlet, and differential regulator versions. Inlet pressure regulators open on a rise in inlet pressure above the valve's set point, and close when the inlet pressure drops below the valve's set point.

Outlet pressure regulators maintain a constant outlet or downstream pressure. Outlet regulators will open when outlet pressure falls below the valves set point and close when the outlet pressure is above it's set point.

Differential pressure regulators will open when the pressure difference across the regulator is greater than the valves set point. Conversely, they will close when the pressure difference across the valve is below the valve's set point.

In addition, these three categories of valves, inlet, outlet, and differential, can also have optional variations added to the basic regulator, such as an electric shut-off feature, or bypass (electric wide opening) feature. Please refer to the inside back cover of this condensed catalog for a complete listing of all A8 regulator variations and their typical applications.

Pressure Ranges: All A8 series inlet and outlet pressure regulators feature a wide pressure range, 10" Hg to 400 psig (250mm Hg to 27.6 bar), thus allowing flexibility in application. Differential pressure regulators offer a single range spring capable of being set within a range of 0 to 120 psig (0 to 8.3 bar). Since it is the pressure difference across the valve which is being controlled with any differential regulator version (not inlet pressure), this range is appropriate for any application, whether applied on the low side or high side of the system. For example, discharge regulators will certainly be exposed to pressures exceeding 120 psig under normal operation. However, they are most typically set to control at about a 25 psi

differential for hot gas supply purposes for defrost. Since this 25 psi set point easily falls within the range of this regulator, it is an appropriate pressure range for the application.

Installation: For those A8 regulators having an integral pilot solenoid feature, the solenoid operators utilize a spring loaded solenoid plunger design, which assists the plunger in closing off tightly against the solenoid pilot seat regardless of position or orientation. The regulator can therefore be installed in either a horizontal or vertical pipe line regardless of valve variation. Those A8 regulators that have no pilot solenoid can also be installed in a similar manner.

When brazing in line, typically a wet cloth wrapped around the valve body is recommended to dissipate heat. **If a valve is disassembled prior to installation, always have the correct gasket/ O-ring kit available for reassembly.** The internal cartridge-to-body O-ring will need to be replaced prior to reassembly.

Adjustment: Adjustment of a regulator's set point requires that the pressure being controlled be monitored by an accurate pressure gauge. Turning the valve's adjusting screw clockwise (into the bonnet) compresses the range spring and subsequently raises the valves set point. Conversely, turning the adjusting stem counter-clockwise will decrease the valve's set point. Adjusting the set point of an A8AS, A81S, or A82S regulator must be made with the solenoid energized, and the manual opening stem turned in. The adjustment of an A8AB, A81B, or A82B must be made with the solenoid de-energized, and the manual opening stem turned in.

Electrical: All A8 regulator versions utilize a molded water resistant class "H" solenoid coil with a "general purpose" coil housing as standard. A class "H" DIN coil is also available with certain voltages. Coils are designed to

operate with line voltage from 85% to 110% of rated coil voltage. Operating with a coil voltage above or below these limits may result in coil burnout. Also, operating with a coil voltage below this limit will result in lowering the valves' maximum opening pressure differential, or MOPD.

Ordering Guide: Specify valve type, port and connection size, and voltage, if applicable.

Note: For A8 valve suction capacity tables, please reference pages 7-14 of this catalog.

A9 Pressure Regulators

Features and Benefits

- Pilot operated for precise control of set point
- External or internal equalizer
- Available with integral electric shut-off
- Solder in place without disassembly
- Molded class H coil construction
- DIN coil assemblies available

- (bar) (typical application - receiver pressure regulator)
- Minimum fluid temperature -40°F (-40°C)
- Design Pressure (M.R.P.): 450 psig (31.0 bar)
- All models UL listed, file SA5473
- CSA certified A9S & A9SE, file LR20991-14

Specifications

- Two pressure ranges: Range A = 10" Hg vacuum to 120 psig (250 mm hg to 8.3 bar) (hot gas bypass range)
Range B = 80 psig to 220 psig (5.6 to 15.2

Standard Voltages

- 120V/60Hz, 110V/50Hz
- 240V/60Hz, 220V/50Hz
- 208V/60Hz
- 240V/60Hz, 220V/50Hz (DIN)
- 240V/50Hz (DIN)

Nomenclature (Example)

| | | | | |
|---------------------|--|-----------------------------|----------------------------|----------------------------------|
| A9 | S | E | 5/8" | 7/8" |
| Valve Family | Integral Solenoid/Electric Shut-Off | Externally Equalized | Port Size in Inches | Connection Size in Inches |

| | |
|------|---|
| A9 | Outlet Pressure Regulator |
| A9S | Outlet Pressure Regulator with Electric Shut-Off Feature |
| A9E | Externally Equalized Outlet Pressure Regulator |
| A9SE | Externally Equalized Outlet Pressure Regulator with Electric Shut-Off Feature |

A9 Port/Connection Size Combinations

| Port Size | | Connection Sizes Available |
|-----------|----|-----------------------------------|
| Inches | mm | |
| 3/8 | 9 | 5/8"/15mm, 7/8"/22mm, 1-1/8"/28mm |
| 5/8 | 15 | 5/8"/15mm, 7/8"/22mm, 1-1/8"/28mm |
| 7/8 | 22 | 5/8"/15mm, 7/8"/22mm, 1-1/8"/28mm |
| 1-1/8 | 28 | 1-1/8"/28mm |

Description: The A9 family of pilot operated outlet pressure regulators are ductile iron bodied valves with brazed copper couplings. The A9 is "internally equalized" to outlet pressure by means of a small channel or passage drilled through the outlet of the adapter which effectively communicates downstream pressure to the pilot section of the valve. The regulator therefore reacts to and controls the immediate outlet pressure of the control valve. When used as a receiver pressure regulator, range "B" should be designated when ordering.

The A9E is an "externally equalized" outlet pressure regulator and is usually applied as a hot gas bypass regulator. For those applications where the dis-

charge gas is introduced into the inlet of the evaporator, an A9E is typically used with a small pilot line connected from the compressor suction to the external fitting on the regulator. Installed in this manner the valve senses and responds to compressor suction pressure while piped to feed discharge gas to the inlet of the evaporator. Since it is the suction pressure that the regulator is responding to and ultimately controlling, a range "A" regulator should be designated when ordering an A9E or A9SE for this application.

Installation: A9 regulators can be mounted either in a vertical or horizontal line with the refrigerant flow in the direction of the arrow on the body. These



regulators may be soldered into the line without disassembly. A wet cloth should be wrapped around the valve and the soldering flame should be directed away from the valve body.

Adjustment: Loosen the adjusting stem seal nut and turn the adjusting stem clockwise to raise the set point of the regulator. Turn the adjusting stem counter clockwise (into the bonnet) compresses the range spring and subsequently raises the valve's set point. Conversely, turning the adjusting stem counterclockwise will decrease the valve's set point. For a range "A" valve, one complete turn of the adjusting stem will result in a change in set point of about 16 psi (1.1 bar). One complete turn of the adjusting stem on a range "B" regulator will change the set point approximately 25 psi (1.7 bar). The set point adjustment of an A9S or A9SE must be made with the pilot solenoid energized.

Electrical: A9S and A9SE regulators utilize a molded water resistant Class "H" solenoid coil with a general purpose coil housing which meets NEMA 3R and 4 requirements. A class "H" DIN coil is also available with certain voltages. Power consumption during normal operation will be 11 watts or less. The coils are designed to operate with a line voltage from 85% to 110% of rated coil voltage. Operating with a line voltage above or below these limits may result in coil burn out.

Ordering Guide: Specify valve type, range, port and connection size. If shut off ("S") variation is included, specify voltage and frequency.

CK4 Check Valve

Features and Benefits

- Spring-loaded, in-line check valve
- Compact size, mounts in any position
- A minimum pressure difference of .75 psi (.05 bar) required to fully open valve
- Several ODS connection sizes available for most port size valves
- Positive spring closing action
- Lapped, metal to metal stainless steel or chrome plated seat
- Various flanged connections available

Specifications

- Design pressure (MRP): 500 psig, (32 bar)
- Minimum fluid temperature -40°F (-40°C)
- UL listed, file SA5473
- CSA certified, file LR20991-14

Nomenclature (Example)

| | | |
|-------------|--------------------|-----------|
| CK | 4A | 4 |
| Check Valve | Flanged Body Style | Port Size |

CK4 Port/Connection Size Combinations

| Type | Port Size | | Connection Sizes Available |
|---------|-----------|-----|---|
| | Inches | mm | |
| CK4A-2 | 1/2 | 13 | 1/2"/13mm, 5/8"/15mm, 7/8"/22mm, (13mm, 15mm, 22mm) |
| CK4A-3 | 3/4 | 20 | 7/8"/22mm, 1-1/8"/28mm, 1-3/8"/35mm |
| CK4A-4 | 1 | 25 | 1-1/8"/28mm, 1-3/8"/35mm, 1-5/8"/42mm |
| CK4A-6 | 1-1/4 | 32 | 1-3/8"/35mm, 1-5/8"/42mm, 2-1/8"/54mm |
| CK4A-8 | 2 | 50 | 1-5/8"/42mm, 2-1/8"/54mm, 2-5/8"/66mm |
| CK4A-9 | 2-1/2 | 65 | 2-5/8"/66mm, 3-1/8"/78mm |
| CK4A-0 | 3 | 75 | 3-1/8"/78mm, 3-5/8"/91mm |
| CK4A-16 | 4 | 100 | 4-1/8"/103mm |

Description: CK4A check valves allow flow in one direction only, and will prevent backward flow of refrigerant should the outlet pressure increase even slightly above the valve's inlet pressure. The CK4A check valve is a flanged spring closing valve which utilizes a corrosion resistant, stainless steel or chrome plated lapped seat. This material and type of construction ensures reliable closing action and minimum seat leakage.

Typical applications for large commercial refrigeration systems include condenser liquid drain check valves, and condenser bypass lines. As a bypass check valve, it is usually installed downstream of a receiver pressure regulator. In this application, the CK4A check valve prevents back-flow through the receiver pressure regulator and into the discharge line in the event of a system shut-down.

CK4A check valves utilize mating flanges. In most instances, ODS flanges with copper couplings provide various connection sizes to match the valve to the line. The flanges used are two bolt refrigeration style (tongue and groove) on all valves up to and including 1" (25mm) port size, and four bolt on 1-1/4" (32mm) through 4" (100mm) port size.

Installation: Because of their spring closing construction, CK4A check valves can be mounted in any position in either a vertical or horizontal line. The valve must be installed with the arrow pointing in the direction of flow. After installing the CK4A between its flanges, tighten the flange bolts evenly.

Ordering Guide: Specify the CK4A port size and the connection size of the ODS flange.



Liquid Drain Capacities – CK4A

CK4A – Liquid Drain Capacities (Tons)

R-22

| Cond Temp °F Sat Pressure psig | Evaporator Temperature | Pressure Drop psi | CK4A2 1/2" 13mm | CK4A3 3/4" 20mm | CK4A4 1" 25mm | CK4A6 1-1/4" 32mm | CK4A8 2" 50mm | CK4A9 2-1/2" 65mm | CK4A0 3" 75mm | CK4A16 4" 100mm |
|--------------------------------------|---------------------------|-------------------------|-----------------------|-----------------------|---------------------|-------------------------|---------------------|-------------------------|---------------------|-----------------------|
| 75°F 132.0 psig | -40°F | 0.75 | 9.9 | 20.7 | 37.9 | 55.3 | 134.0 | 203.8 | 326.2 | 611.5 |
| | | 3 | 19.8 | 41.4 | 75.7 | 110.7 | 267.9 | 407.7 | 652.3 | 1223.1 |
| | 0°F | 0.75 | 10.5 | 21.9 | 40.1 | 58.6 | 141.9 | 216.0 | 345.6 | 648.0 |
| | | 3 | 21.0 | 43.8 | 80.2 | 117.3 | 283.9 | 432.0 | 691.2 | 1295.9 |
| | 40°F | 0.75 | 11.0 | 23.0 | 42.1 | 61.6 | 149.0 | 226.8 | 362.8 | 680.3 |
| | | 3 | 22.0 | 46.0 | 84.2 | 123.1 | 298.0 | 453.6 | 725.7 | 1360.7 |
| 95°F 182.0 psig | -40°F | 0.75 | 8.9 | 18.6 | 34.1 | 49.9 | 120.7 | 183.7 | 294.0 | 551.2 |
| | | 3 | 17.8 | 37.3 | 68.2 | 99.7 | 241.5 | 367.5 | 587.9 | 1102.4 |
| | 0°F | 0.75 | 9.5 | 19.8 | 36.3 | 53.1 | 128.6 | 195.7 | 313.0 | 587.00 |
| | | 3 | 19.0 | 39.7 | 72.7 | 106.2 | 257.1 | 391.3 | 626.1 | 1173.9 |
| | 40°F | 0.75 | 10.0 | 20.9 | 38.3 | 56.0 | 135.5 | 206.2 | 330.0 | 618.7 |
| | | 3 | 20.0 | 41.8 | 76.6 | 112.0 | 271.1 | 412.5 | 660.0 | 1237.5 |
| 115°F 243.0 psig | -40°F | 0.75 | 7.9 | 16.6 | 30.3 | 44.3 | 107.3 | 163.2 | 261.2 | 489.7 |
| | | 3 | 15.9 | 33.1 | 60.6 | 88.6 | 214.5 | 326.5 | 522.4 | 979.4 |
| | 0°F | 0.75 | 8.5 | 17.7 | 32.5 | 47.5 | 115.0 | 174.9 | 279.9 | 524.8 |
| | | 3 | 17.0 | 35.5 | 65.0 | 95.0 | 229.9 | 349.9 | 559.8 | 1049.6 |
| | 40°F | 0.75 | 9.0 | 18.8 | 34.4 | 50.3 | 121.8 | 185.3 | 296.5 | 555.9 |
| | | 3 | 18.0 | 37.6 | 68.8 | 100.6 | 243.5 | 370.6 | 593.0 | 1111.8 |

Note: Shading is for readability purposes only.

CK4A – Liquid Drain Capacities (Kilowatts)

R-22

| Cond Temp °C Sat Pressure bar | Evaporator Temperature | Pressure Drop bar | CK4A2 1/2" 13mm | CK4A3 3/4" 20mm | CK4A4 1" 25mm | CK4A6 1-1/4" 32mm | CK4A8 2" 50mm | CK4A9 2-1/2" 65mm | CK4A0 3" 75mm | CK4A16 4" 100mm |
|-------------------------------------|---------------------------|-------------------------|-----------------------|-----------------------|---------------------|-------------------------|---------------------|-------------------------|---------------------|-----------------------|
| 25°C 9.2 bar | -40°C | 0.05 | 33.7 | 70.3 | 128.8 | 188.2 | 455.6 | 693.3 | 1109.2 | 2079.8 |
| | | 0.21 | 69.0 | 144.1 | 263.9 | 385.6 | 933.7 | 1420.8 | 2273.3 | 4262.4 |
| | -20°C | 0.05 | 35.5 | 74.1 | 135.8 | 198.4 | 480.4 | 731.0 | 1169.7 | 2193.1 |
| | | 0.21 | 72.8 | 152.0 | 278.2 | 406.7 | 984.5 | 1498.2 | 2397.1 | 4494.6 |
| | 0°C | 0.05 | 37.2 | 77.6 | 142.1 | 207.7 | 502.8 | 765.1 | 1224.2 | 2295.4 |
| | | 0.21 | 76.2 | 159.0 | 291.2 | 425.6 | 1030.4 | 1568.0 | 2508.8 | 4704.1 |
| 30°C 10.9 bar | -40°C | 0.05 | 32.2 | 67.2 | 123.0 | 179.7 | 435.1 | 662.1 | 1059.3 | 1986.2 |
| | | 0.21 | 65.9 | 137.6 | 252.0 | 368.3 | 891.6 | 1356.8 | 2170.9 | 4070.4 |
| | -20°C | 0.05 | 34.0 | 71.0 | 129.9 | 189.9 | 459.7 | 699.5 | 1119.2 | 2098.5 |
| | | 0.21 | 69.6 | 145.4 | 266.2 | 389.1 | 942.1 | 1433.6 | 2293.7 | 4300.7 |
| | 0°C | 0.05 | 35.6 | 74.4 | 136.2 | 199.0 | 481.9 | 733.3 | 1173.3 | 2199.9 |
| | | 0.21 | 73.0 | 152.4 | 279.1 | 407.9 | 987.6 | 1502.8 | 2404.6 | 4508.5 |
| 35°C 12.6 bar | -40°C | 0.05 | 30.6 | 64.0 | 117.1 | 171.2 | 414.4 | 630.6 | 1009.0 | 1891.8 |
| | | 0.21 | 62.8 | 131.1 | 240.0 | 350.8 | 849.3 | 1292.3 | 2067.7 | 3877.0 |
| | -20°C | 0.05 | 32.4 | 67.7 | 124.0 | 181.2 | 438.8 | 667.7 | 1068.4 | 2003.2 |
| | | 0.21 | 66.5 | 138.8 | 254.1 | 371.4 | 899.3 | 1368.5 | 2189.5 | 4105.4 |
| | 0°C | 0.05 | 34.1 | 71.1 | 130.2 | 190.3 | 460.8 | 701.3 | 1122.0 | 2103.8 |
| | | 0.21 | 69.8 | 145.8 | 266.9 | 390.1 | 944.4 | 1437.2 | 2299.4 | 4311.5 |

Note: Shading is for readability purposes only.

Liquid Drain Capacities – CK4A

CK4A – Liquid Drain Capacities (Tons)

R-134a

| Cond Temp °F Sat Pressure psig | Evaporator Temperature | Pressure Drop psi | CK4A2 1/2" 13mm | CK4A3 3/4" 20mm | CK4A4 1" 25mm | CK4A6 1-1/4" 32mm | CK4A8 2" 50mm | CK4A9 2-1/2" 65mm | CK4A0 3" 75mm | CK4A16 4" 100mm |
|--------------------------------------|---------------------------|-------------------------|-----------------------|-----------------------|---------------------|-------------------------|---------------------|-------------------------|---------------------|-----------------------|
| 75°F 78.6 psig | -40°F | 0.75 | 8.9 | 18.6 | 34.1 | 49.8 | 120.6 | 183.5 | 293.6 | 550.5 |
| | | 3 | 17.8 | 37.2 | 68.2 | 99.6 | 241.2 | 367.0 | 587.2 | 1101.0 |
| | 0°F | 0.75 | 9.7 | 20.4 | 37.3 | 54.5 | 131.9 | 200.7 | 321.1 | 602.0 |
| | | 3 | 19.5 | 40.7 | 74.5 | 108.9 | 263.7 | 401.3 | 642.1 | 1204.0 |
| | 40°F | 0.75 | 10.5 | 22.0 | 40.3 | 58.9 | 142.7 | 217.2 | 347.5 | 651.5 |
| | | 3 | 21.1 | 44.1 | 80.7 | 117.9 | 285.4 | 434.3 | 695.0 | 1303.0 |
| 95°F 113.8 psig | -40°F | 0.75 | 7.9 | 16.4 | 30.0 | 43.9 | 106.2 | 161.7 | 258.6 | 485.0 |
| | | 3 | 15.7 | 32.8 | 60.0 | 87.8 | 212.5 | 323.3 | 517.3 | 969.9 |
| | 0°F | 0.75 | 8.7 | 18.1 | 33.2 | 48.5 | 117.3 | 178.5 | 285.6 | 535.6 |
| | | 3 | 17.3 | 36.2 | 66.3 | 96.9 | 234.6 | 357.0 | 571.3 | 1071.1 |
| | 40°F | 0.75 | 9.5 | 19.8 | 36.2 | 52.9 | 128.0 | 194.8 | 311.6 | 584.2 |
| | | 3 | 18.9 | 39.5 | 72.3 | 105.7 | 256.0 | 389.5 | 623.2 | 1168.5 |
| 115°F 158.4 psig | -40°F | 0.75 | 6.8 | 14.2 | 25.9 | 37.9 | 91.7 | 139.5 | 223.2 | 418.6 |
| | | 3 | 13.6 | 28.3 | 51.8 | 75.7 | 183.4 | 279.0 | 446.5 | 837.1 |
| | 0°F | 0.75 | 7.6 | 15.8 | 29.0 | 42.4 | 102.6 | 156.1 | 249.7 | 468.2 |
| | | 3 | 15.2 | 31.7 | 58.0 | 84.7 | 205.1 | 312.1 | 499.4 | 936.4 |
| | 40°F | 0.75 | 8.4 | 17.4 | 31.9 | 46.7 | 113.0 | 172.0 | 275.2 | 516.0 |
| | | 3 | 16.7 | 34.9 | 63.9 | 93.4 | 226.0 | 344.0 | 550.4 | 1031.9 |

Note: Shading is for readability purposes only.

CK4A – Liquid Drain Capacities (Kilowatts)

R-134a

| Cond Temp °C Sat Pressure bar | Evaporator Temperature | Pressure Drop bar | CK4A2 1/2" 13mm | CK4A3 3/4" 20mm | CK4A4 1" 25mm | CK4A6 1-1/4" 32mm | CK4A8 2" 50mm | CK4A9 2-1/2" 65mm | CK4A0 3" 75mm | CK4A16 4" 100mm |
|-------------------------------------|---------------------------|-------------------------|-----------------------|-----------------------|---------------------|-------------------------|---------------------|-------------------------|---------------------|-----------------------|
| 25°C 5.5 bar | -40°C | 0.05 | 30.2 | 63.1 | 115.4 | 168.7 | 408.5 | 621.6 | 994.6 | 1864.9 |
| | | 0.21 | 61.9 | 129.2 | 236.6 | 345.8 | 837.2 | 1273.9 | 2038.3 | 3821.8 |
| | -20°C | 0.05 | 32.8 | 68.4 | 125.3 | 183.2 | 443.5 | 674.8 | 1079.7 | 2024.5 |
| | | 0.21 | 67.2 | 140.3 | 256.8 | 375.4 | 908.8 | 1383.0 | 2212.8 | 4149.0 |
| | 0°C | 0.05 | 35.3 | 73.7 | 134.9 | 197.1 | 477.3 | 726.3 | 1162.0 | 2178.8 |
| | | 0.21 | 72.3 | 151.0 | 276.4 | 404.0 | 978.1 | 1488.4 | 2381.5 | 4465.3 |
| 30°C 6.7 bar | -40°C | 0.05 | 28.5 | 59.6 | 109.1 | 159.5 | 386.2 | 587.7 | 940.3 | 1763.1 |
| | | 0.21 | 58.5 | 122.2 | 223.7 | 326.9 | 791.5 | 1204.4 | 1927.0 | 3613.2 |
| | -20°C | 0.05 | 31.1 | 65.0 | 118.9 | 173.8 | 420.9 | 640.5 | 1024.8 | 1921.5 |
| | | 0.21 | 63.8 | 133.1 | 243.8 | 356.3 | 862.6 | 1312.6 | 2100.2 | 3937.9 |
| | 0°C | 0.05 | 33.6 | 70.1 | 128.4 | 187.7 | 454.4 | 691.5 | 1106.5 | 2074.6 |
| | | 0.21 | 68.8 | 143.8 | 263.2 | 384.7 | 931.3 | 1417.3 | 2267.6 | 4251.8 |
| 35°C 7.8 bar | -40°C | 0.05 | 26.9 | 56.1 | 102.8 | 150.3 | 363.8 | 553.6 | 885.7 | 1660.7 |
| | | 0.21 | 55.1 | 115.1 | 210.7 | 307.9 | 745.5 | 1134.5 | 1815.2 | 3403.4 |
| | -20°C | 0.05 | 29.4 | 61.5 | 112.5 | 164.5 | 398.2 | 606.0 | 969.5 | 1817.9 |
| | | 0.21 | 60.3 | 126.0 | 230.6 | 337.1 | 816.1 | 1241.8 | 1986.9 | 3725.5 |
| | 0°C | 0.05 | 31.9 | 66.6 | 121.9 | 178.2 | 431.5 | 656.6 | 1050.6 | 1969.8 |
| | | 0.21 | 65.4 | 136.5 | 249.9 | 365.2 | 884.3 | 1345.6 | 2153.0 | 4036.9 |

Note: Shading is for readability purposes only.

Liquid Drain Capacities – CK4A

CK4A – Liquid Drain Capacities (Tons)

R-404A

| Cond Temp °F Sat Pressure psig | Evaporator Temperature | Pressure Drop psi | CK4A2 1/2" 13mm | CK4A3 3/4" 20mm | CK4A4 1" 25mm | CK4A6 1-1/4" 32mm | CK4A8 2" 50mm | CK4A9 2-1/2" 65mm | CK4A0 3" 75mm | CK4A16 4" 100mm |
|--------------------------------------|---------------------------|-------------------------|-----------------------|-----------------------|---------------------|-------------------------|---------------------|-------------------------|---------------------|-----------------------|
| 75°F 161.2 psig | -40°F | 0.75 | 6.6 | 13.8 | 25.3 | 37.0 | 89.6 | 136.3 | 218.0 | 408.8 |
| | | 3 | 13.2 | 27.6 | 50.6 | 74.0 | 179.1 | 272.6 | 436.1 | 817.7 |
| | 0°F | 0.75 | 7.4 | 15.5 | 28.3 | 41.4 | 100.3 | 152.6 | 244.1 | 457.7 |
| | | 3 | 14.8 | 31.0 | 56.7 | 82.8 | 200.5 | 305.2 | 488.2 | 915.5 |
| | 40°F | 0.75 | 8.1 | 17.0 | 31.1 | 45.5 | 110.1 | 167.6 | 268.1 | 502.7 |
| | | 3 | 16.3 | 34.0 | 62.2 | 91.0 | 220.2 | 335.2 | 536.2 | 1005.5 |
| 95°F 219.4 psig | -40°F | 0.75 | 5.5 | 11.5 | 21.0 | 30.7 | 74.3 | 113.0 | 180.8 | 339.1 |
| | | 3 | 11.0 | 22.9 | 42.0 | 61.4 | 148.6 | 226.1 | 361.7 | 678.2 |
| | 0°F | 0.75 | 6.3 | 13.1 | 23.9 | 35.0 | 84.7 | 128.9 | 206.3 | 386.8 |
| | | 3 | 12.5 | 26.2 | 47.9 | 70.0 | 169.4 | 257.8 | 412.6 | 773.5 |
| | 40°F | 0.75 | 7.0 | 14.6 | 26.7 | 39.0 | 94.3 | 143.5 | 229.7 | 430.6 |
| | | 3 | 13.9 | 29.1 | 53.3 | 77.9 | 188.7 | 287.1 | 459.3 | 861.3 |
| 115°F 290.9 psig | -40°F | 0.75 | 4.3 | 9.0 | 16.4 | 24.0 | 58.2 | 88.5 | 141.7 | 265.6 |
| | | 3 | 8.6 | 18.0 | 32.9 | 48.1 | 116.4 | 177.1 | 283.3 | 531.2 |
| | 0°F | 0.75 | 5.0 | 10.5 | 19.3 | 28.2 | 68.3 | 103.9 | 166.3 | 311.8 |
| | | 3 | 10.1 | 21.1 | 38.6 | 56.4 | 136.6 | 207.8 | 332.6 | 623.5 |
| | 40°F | 0.75 | 5.7 | 12.0 | 21.9 | 32.1 | 77.6 | 118.1 | 188.9 | 354.3 |
| | | 3 | 11.5 | 24.0 | 43.9 | 64.1 | 155.2 | 236.2 | 377.9 | 708.5 |

Note: Shading is for readability purposes only.

CK4A – Liquid Drain Capacities (Kilowatts)

R-404A

| Cond Temp °C Sat Pressure bar | Evaporator Temperature | Pressure Drop bar | CK4A2 1/2" 13mm | CK4A3 3/4" 20mm | CK4A4 1" 25mm | CK4A6 1-1/4" 32mm | CK4A8 2" 50mm | CK4A9 2-1/2" 65mm | CK4A0 3" 75mm | CK4A16 4" 100mm |
|-------------------------------------|---------------------------|-------------------------|-----------------------|-----------------------|---------------------|-------------------------|---------------------|-------------------------|---------------------|-----------------------|
| 25°C 11.2 bar | -40°C | 0.05 | 22.2 | 46.4 | 85.0 | 124.3 | 300.9 | 457.9 | 732.6 | 1373.6 |
| | | 0.21 | 45.6 | 95.2 | 174.3 | 254.7 | 616.6 | 938.4 | 1501.4 | 2815.1 |
| | -20°C | 0.05 | 24.7 | 51.6 | 94.4 | 138.0 | 334.1 | 508.5 | 813.6 | 1525.4 |
| | | 0.21 | 50.6 | 105.7 | 193.5 | 282.8 | 684.8 | 1042.1 | 1667.3 | 3126.2 |
| | 0°C | 0.05 | 27.0 | 56.4 | 103.2 | 150.8 | 365.1 | 555.6 | 889.0 | 1666.9 |
| | | 0.21 | 55.3 | 115.5 | 211.5 | 309.1 | 748.3 | 1138.7 | 1822.0 | 3416.2 |
| 30°C 13.1 bar | -40°C | 0.05 | 20.5 | 42.8 | 78.4 | 114.5 | 277.3 | 421.9 | 675.1 | 1265.8 |
| | | 0.21 | 42.0 | 87.7 | 160.6 | 234.7 | 568.2 | 864.7 | 1383.5 | 2594.1 |
| | -20°C | 0.05 | 22.9 | 47.9 | 87.7 | 128.1 | 310.2 | 472.0 | 755.2 | 1415.9 |
| | | 0.21 | 47.0 | 98.1 | 179.6 | 262.5 | 635.6 | 967.3 | 1547.6 | 2901.8 |
| | 0°C | 0.05 | 25.2 | 52.6 | 96.3 | 140.8 | 340.8 | 518.6 | 829.8 | 1555.9 |
| | | 0.21 | 51.6 | 107.8 | 197.4 | 288.5 | 698.5 | 1062.9 | 1700.6 | 3188.6 |
| 35°C 15.1 bar | -40°C | 0.05 | 18.7 | 39.1 | 71.5 | 104.6 | 253.2 | 385.2 | 616.4 | 1155.7 |
| | | 0.21 | 38.3 | 80.1 | 146.6 | 214.3 | 518.8 | 789.5 | 1263.2 | 2368.6 |
| | -20°C | 0.05 | 21.1 | 44.1 | 80.7 | 118.0 | 285.6 | 434.7 | 695.5 | 1304.0 |
| | | 0.21 | 43.3 | 90.4 | 165.4 | 241.8 | 585.4 | 890.8 | 1425.3 | 2672.5 |
| | 0°C | 0.05 | 23.4 | 48.8 | 89.3 | 130.5 | 315.9 | 480.8 | 769.2 | 1442.3 |
| | | 0.21 | 47.9 | 99.9 | 183.0 | 267.4 | 647.5 | 985.3 | 1576.5 | 2955.9 |

Note: Shading is for readability purposes only.

Liquid Drain Capacities – CK4A

CK4A – Liquid Drain Capacities (Tons)

R-507

| Cond Temp °F Sat Pressure psig | Evaporator Temperature | Pressure Drop psi | CK4A2 1/2" 13mm | CK4A3 3/4" 20mm | CK4A4 1" 25mm | CK4A6 1-1/4" 32mm | CK4A8 2" 50mm | CK4A9 2-1/2" 65mm | CK4A0 3" 75mm | CK4A16 4" 100mm |
|--------------------------------------|---------------------------|-------------------------|-----------------------|-----------------------|---------------------|-------------------------|---------------------|-------------------------|---------------------|-----------------------|
| 75°F 167.0 psig | -40°F | 0.75 | 6.6 | 13.7 | 25.1 | 36.6 | 88.7 | 134.9 | 215.9 | 404.8 |
| | | 3 | 13.1 | 27.4 | 50.1 | 73.2 | 177.3 | 269.8 | 431.7 | 809.5 |
| | 0°F | 0.75 | 7.3 | 15.2 | 27.9 | 40.7 | 98.6 | 150.1 | 240.2 | 450.3 |
| | | 3 | 14.6 | 30.5 | 55.8 | 81.5 | 197.3 | 300.2 | 480.4 | 900.7 |
| | 40°F | 0.75 | 8.0 | 16.7 | 30.5 | 44.6 | 108.1 | 164.5 | 263.1 | 493.4 |
| | | 3 | 16.0 | 33.4 | 61.1 | 89.3 | 216.1 | 328.9 | 526.2 | 986.7 |
| 95°F 226.0 psig | -40°F | 0.75 | 5.5 | 11.6 | 21.2 | 30.9 | 74.9 | 114.0 | 182.3 | 341.9 |
| | | 3 | 11.1 | 23.1 | 42.3 | 61.9 | 149.8 | 227.9 | 364.7 | 683.8 |
| | 0°F | 0.75 | 6.3 | 13.1 | 23.9 | 35.0 | 84.6 | 128.8 | 206.0 | 386.3 |
| | | 3 | 12.5 | 26.1 | 47.8 | 69.9 | 169.3 | 257.6 | 412.1 | 772.7 |
| | 40°F | 0.75 | 6.9 | 14.5 | 26.5 | 38.7 | 93.8 | 142.8 | 228.4 | 428.3 |
| | | 3 | 13.9 | 29.0 | 53.0 | 77.5 | 187.6 | 285.5 | 456.8 | 856.5 |
| 115°F 301.0 psig | -40°F | 0.75 | 4.5 | 9.3 | 17.1 | 25.0 | 60.5 | 92.1 | 147.3 | 276.2 |
| | | 3 | 8.9 | 18.7 | 34.2 | 50.0 | 121.0 | 184.2 | 294.7 | 552.5 |
| | 0°F | 0.75 | 5.2 | 10.8 | 19.8 | 28.9 | 69.9 | 106.4 | 170.3 | 319.3 |
| | | 3 | 10.3 | 21.6 | 39.5 | 57.8 | 139.9 | 212.9 | 340.6 | 638.7 |
| | 40°F | 0.75 | 5.8 | 12.2 | 22.3 | 32.6 | 78.9 | 120.0 | 192.0 | 360.0 |
| | | 3 | 11.7 | 24.3 | 44.6 | 65.1 | 157.7 | 240.0 | 384.0 | 719.9 |

Note: Shading is for readability purposes only.

CK4A – Liquid Drain Capacities (Kilowatts)

R-507

| Cond Temp °C Sat Pressure bar | Evaporator Temperature | Pressure Drop bar | CK4A2 1/2" 13mm | CK4A3 3/4" 20mm | CK4A4 1" 25mm | CK4A6 1-1/4" 32mm | CK4A8 2" 50mm | CK4A9 2-1/2" 65mm | CK4A0 3" 75mm | CK4A16 4" 100mm |
|-------------------------------------|---------------------------|-------------------------|-----------------------|-----------------------|---------------------|-------------------------|---------------------|-------------------------|---------------------|-----------------------|
| 25°C 11.6 bar | -40°C | 0.05 | 22.1 | 46.1 | 84.3 | 123.3 | 298.5 | 454.2 | 726.7 | 1362.5 |
| | | 0.21 | 45.2 | 94.4 | 172.9 | 252.6 | 611.6 | 930.8 | 1489.2 | 2792.3 |
| | -20°C | 0.05 | 24.3 | 50.8 | 93.1 | 136.0 | 329.4 | 501.2 | 802.0 | 1503.7 |
| | | 0.21 | 49.9 | 104.2 | 190.8 | 278.8 | 675.0 | 1027.2 | 1643.5 | 3081.7 |
| | 0°C | 0.05 | 26.5 | 55.4 | 101.4 | 148.2 | 358.8 | 546.0 | 873.6 | 1637.9 |
| | | 0.21 | 54.3 | 113.5 | 207.8 | 303.7 | 735.3 | 1118.9 | 1790.3 | 3356.8 |
| 30°C 13.5 bar | -40°C | 0.05 | 20.5 | 42.8 | 78.3 | 114.5 | 277.1 | 421.7 | 674.7 | 1265.1 |
| | | 0.21 | 42.0 | 87.7 | 160.5 | 234.6 | 567.9 | 864.2 | 1382.8 | 2592.7 |
| | -20°C | 0.05 | 22.7 | 47.5 | 87.0 | 127.1 | 307.7 | 468.2 | 749.2 | 1404.7 |
| | | 0.21 | 46.6 | 97.3 | 178.2 | 260.5 | 630.6 | 959.6 | 1535.4 | 2878.8 |
| | 0°C | 0.05 | 24.9 | 52.0 | 95.2 | 139.1 | 336.8 | 512.5 | 820.0 | 1537.5 |
| | | 0.21 | 51.0 | 106.5 | 195.1 | 285.1 | 690.2 | 1050.3 | 1680.5 | 3150.9 |
| 35°C 15.6 bar | -40°C | 0.05 | 18.9 | 39.4 | 72.2 | 105.5 | 255.5 | 388.8 | 622.1 | 1166.5 |
| | | 0.21 | 38.7 | 80.8 | 148.0 | 216.3 | 523.7 | 796.9 | 1275.0 | 2390.6 |
| | -20°C | 0.05 | 21.1 | 44.1 | 80.8 | 118.0 | 285.7 | 434.8 | 695.7 | 1304.5 |
| | | 0.21 | 43.3 | 90.4 | 165.5 | 241.9 | 585.6 | 891.1 | 1425.8 | 2673.4 |
| | 0°C | 0.05 | 23.2 | 48.5 | 88.9 | 129.9 | 314.5 | 478.5 | 765.7 | 1435.6 |
| | | 0.21 | 47.6 | 99.5 | 182.1 | 266.2 | 644.5 | 980.7 | 1569.2 | 2942.2 |

Note: Shading is for readability purposes only.

Condenser Pressure Control

For Air Cooled Condensers

Parker Flo-Con regulators provide the wide range of adjustment of condenser and receiver pressures required for the most efficient operation of large air-cooled condenser systems. The regulators are an integral part of the refrigeration system and provide direct control of condenser and receiver pressures to achieve satisfactory system operation with minimum energy consumption.

Condenser pressure control is needed for one or more of the following reasons:

1. To maintain sufficient receiver pressure to ensure flow of an adequate amount of liquid to the evaporator for proper temperature control and adequate refrigeration capacity.
2. To permit start up during cold weather conditions by quickly developing adequate receiver pressure.
3. To provide an ample supply of hot gas for defrosts, reheat or heat reclamation systems.
4. To prevent flash gas in the liquid lines.

With no pressure control, at very low ambient temperatures the cold liquid may be at almost saturated conditions because of the low condensing pressure. The lack of sub-cooling may cause the liquid to evaporate when

the liquid lines pass through warm areas or where pressure drops take place (filters, valves, etc.). The presence of flash vapor would affect the performance of expansion valves, eroding seats, causing irregular flow, and reducing capacity.

Types of systems

Two systems of variable condenser pressure control are shown on the next page. Figure 1 shows a Liquid Drain Control Method using a regulator in the liquid line to provide the desired condenser pressure.

This method is ideal for large capacity systems since a smaller regulator is required for liquid line than for discharge line.

Figure 2 shows a Discharge Gas Control Method using a regulator in the discharge line. In both cases a bypass regulator is used to control the receiver pressure by feeding it with high-pressure gas as necessary.

This method is particularly suitable for systems requiring hot gas defrost, heat reclaim, and for ease of start up of systems with a cold receiver.

Valve Functions

Valve A in Figure 1 is an Inlet Pressure Regulator in the liquid drain line from the condenser, and senses the condenser pressure. The regulator closes as the condenser pressure drops below the set point, thus back flooding the condenser and reducing the inside surface area available for condensing.

Valve B in Figures 1 and 2 is an Outlet Pressure Regulator in the bypass line from compressor discharge to the condenser liquid drain line. This valve senses the receiver pressure and opens when the pressure drops below the set point, thus maintaining the receiver pressure.

Valve C in Figures 1 and 2 is an In-line Check valve in the liquid drain line to prevent higher pressure from backing up into the condenser during low ambient conditions when the compressor is idle.

Valve D in Figure 2 is an Inlet Pressure Regulator in the compressor discharge line. This regulator senses the discharge pressure and closes as the pressure drops below the set point, thus maintaining the discharge pressure at the desired level.

Figure 1 — Liquid drain method, condenser pressure control. See page 62 for symbol legend.

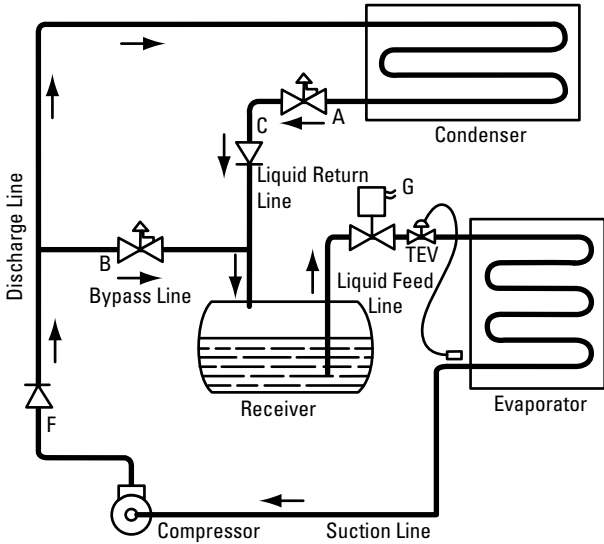


Figure 2 — Discharge gas control method, condenser pressure control. See page 62 for symbol legend.

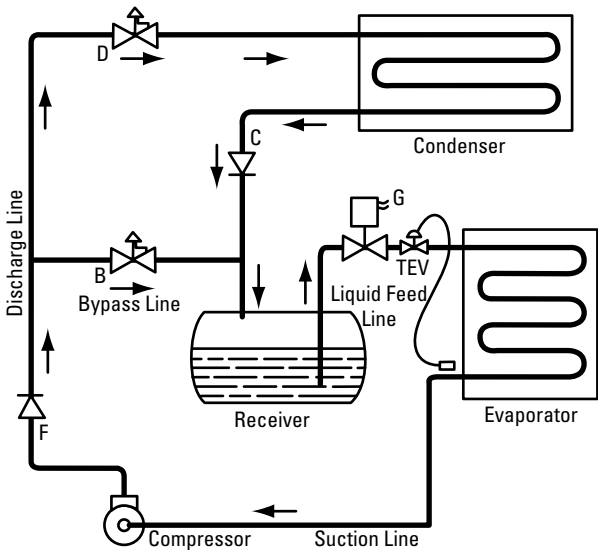
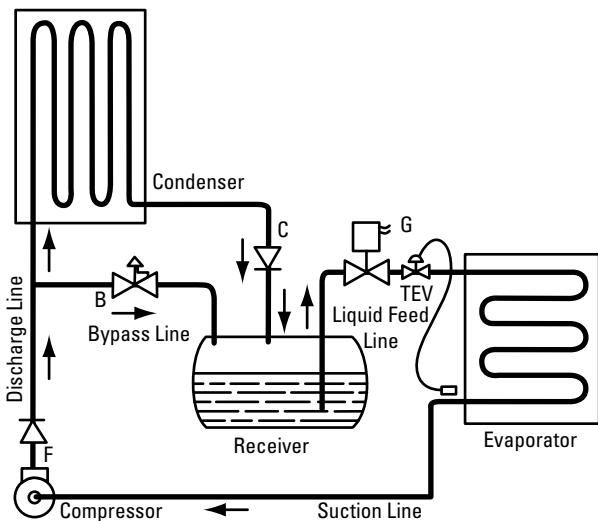


Figure 3 — Receiver pressure control isolated bypass method. See page 62 for symbol legend.



| Valve Legend | | | | |
|--------------|---------------------------|----------------------|-------------|----------------|
| Label | Valve Function | Application | Design | Selection Page |
| A | Inlet Pressure Regulator | Liquid Drain | A8 | 63 |
| B | Outlet Pressure Regulator | Condenser Bypass | A9 or A8_OE | 63 |
| C | Check Valve | Liquid Drain | CK4A | 63 |
| D | Inlet Pressure Regulator | Discharge Pressure | A8 | 63 |
| E | Check Valve | Condenser Bypass | CK4A | 63 |
| F | Check Valve | Compressor Discharge | CK4A | 63 |
| G | Solenoid Valve | Liquid Feed | SC | 63 |

Liquid Drain Capacities – A8

A8 – Liquid Drain Capacities (Tons)

R-22

| Cond Temp °F Sat Pressure psig | Evaporator Temperature (Sat Pres) psig | Pressure Drop psi | A8 3/8" 9mm | A8 5/8" 15mm | A8 7/8" 22mm | A81 1-1/8" 28mm | A81 1-3/8" 35mm | A82 1-5/8" 42mm | A82 2-1/8" 54mm | A82 2-5/8" 66mm |
|--------------------------------------|--|-------------------------|-------------------|--------------------|--------------------|-----------------------|-----------------------|-----------------------|-----------------------|-----------------------|
| 75°F 132.0 psig | -40°F (0.5) | 3 | 8.7 | 22.1 | 31.2 | 39.7 | 70.4 | 104.8 | 184.6 | 236.5 |
| | | 6 | 12.4 | 31.3 | 44.1 | 56.1 | 99.5 | 148.3 | 261.1 | 334.4 |
| | 0°F (24.0) | 3 | 9.3 | 23.5 | 33.0 | 42.0 | 74.5 | 111.1 | 195.6 | 250.5 |
| | | 6 | 13.1 | 33.2 | 46.7 | 59.4 | 105.4 | 157.1 | 276.7 | 354.3 |
| | 40°F (68.5) | 3 | 9.7 | 24.6 | 34.7 | 44.1 | 78.3 | 116.6 | 205.4 | 263.1 |
| | | 6 | 13.7 | 34.8 | 49.0 | 62.4 | 110.7 | 164.9 | 290.5 | 372.0 |
| 95°F 182.0 psig | -40°F (0.5) | 3 | 7.9 | 19.9 | 28.1 | 35.7 | 63.4 | 94.5 | 166.4 | 213.1 |
| | | 6 | 11.1 | 28.2 | 39.7 | 50.6 | 89.7 | 133.6 | 235.3 | 301.4 |
| | 0°F (24.0) | 3 | 8.4 | 21.2 | 29.9 | 38.1 | 67.5 | 100.6 | 177.2 | 227.0 |
| | | 6 | 11.9 | 30.0 | 42.3 | 53.8 | 95.5 | 142.3 | 250.6 | 321.0 |
| | 40°F (68.5) | 3 | 8.8 | 22.4 | 31.5 | 40.1 | 71.2 | 106.1 | 186.8 | 239.2 |
| | | 6 | 12.5 | 31.7 | 44.6 | 56.8 | 100.7 | 150.0 | 264.2 | 338.3 |
| 115°F 243.0 psig | -40°F (0.5) | 3 | 7.0 | 17.7 | 25.0 | 31.8 | 56.3 | 84.0 | 147.9 | 189.4 |
| | | 6 | 9.9 | 25.1 | 35.3 | 44.9 | 79.7 | 118.7 | 209.1 | 267.8 |
| | 0°F (24.0) | 3 | 7.5 | 19.0 | 26.7 | 34.0 | 60.4 | 90.0 | 158.4 | 202.9 |
| | | 6 | 10.6 | 26.9 | 37.8 | 48.1 | 85.4 | 127.2 | 224.1 | 287.0 |
| | 40°F (68.5) | 3 | 7.9 | 20.1 | 28.3 | 36.1 | 64.0 | 95.3 | 167.8 | 215.0 |
| | | 6 | 11.2 | 28.5 | 40.1 | 51.0 | 90.4 | 134.8 | 237.4 | 304.0 |

Note: Shading is for readability purposes only.

A8 – Liquid Drain Capacities (Kilowatts)

R-22

| Cond Temp °C Sat Pressure bar | Evaporator Temperature | Pressure Drop bar | A8 3/8" 9mm | A8 5/8" 15mm | A8 7/8" 22mm | A81 1-1/8" 28mm | A81 1-3/8" 35mm | A82 1-5/8" 42mm | A82 2-1/8" 54mm | A82 2-5/8" 66mm |
|-------------------------------------|---------------------------|-------------------------|-------------------|--------------------|--------------------|-----------------------|-----------------------|-----------------------|-----------------------|-----------------------|
| 25°C 9.2 bar | -40°C (0.0) | 0.2 | 29.7 | 75.3 | 106.0 | 134.9 | 239.3 | 356.5 | 627.9 | 804.2 |
| | | 0.4 | 42.0 | 106.4 | 149.9 | 190.8 | 338.4 | 504.2 | 888.0 | 1137.3 |
| | -20°C (1.4) | 0.2 | 31.3 | 79.4 | 111.7 | 142.2 | 252.3 | 376.0 | 662.1 | 848.0 |
| | | 0.4 | 44.3 | 112.2 | 158.0 | 201.2 | 356.8 | 531.7 | 936.4 | 1199.3 |
| | 0°C (4.0) | 0.2 | 32.8 | 83.1 | 117.0 | 148.9 | 264.1 | 393.5 | 693.0 | 887.5 |
| | | 0.4 | 46.4 | 117.5 | 165.4 | 210.5 | 373.5 | 556.5 | 980.0 | 1255.2 |
| 30°C 10.9 bar | -40°C (0.0) | 0.2 | 28.4 | 71.9 | 101.2 | 128.8 | 228.5 | 340.5 | 599.6 | 768.0 |
| | | 0.4 | 40.1 | 101.7 | 143.1 | 182.2 | 323.2 | 481.5 | 848.0 | 1086.1 |
| | -20°C (1.4) | 0.2 | 30.0 | 75.9 | 106.9 | 136.1 | 241.4 | 359.8 | 633.6 | 811.4 |
| | | 0.4 | 42.4 | 107.4 | 151.2 | 192.5 | 341.4 | 508.8 | 896.0 | 1147.5 |
| | 0°C (4.0) | 0.2 | 31.4 | 79.6 | 112.1 | 142.7 | 253.1 | 377.1 | 664.2 | 850.6 |
| | | 0.4 | 44.4 | 112.6 | 158.5 | 201.8 | 357.9 | 533.3 | 939.3 | 1203.0 |
| 35°C 12.6 bar | -40°C (0.0) | 0.2 | 27.0 | 68.5 | 96.4 | 122.7 | 217.6 | 324.3 | 571.1 | 731.5 |
| | | 0.4 | 38.2 | 96.8 | 136.3 | 173.5 | 307.8 | 458.6 | 807.7 | 1034.5 |
| | -20°C (1.4) | 0.2 | 28.6 | 72.5 | 102.1 | 129.9 | 230.5 | 343.4 | 604.8 | 774.6 |
| | | 0.4 | 40.5 | 102.5 | 144.3 | 183.7 | 325.9 | 485.7 | 855.3 | 1095.4 |
| | 0°C (4.0) | 0.2 | 30.1 | 76.1 | 107.2 | 136.4 | 242.0 | 360.6 | 635.1 | 813.5 |
| | | 0.4 | 42.5 | 107.7 | 151.6 | 193.0 | 342.3 | 510.0 | 898.2 | 1150.4 |

Note: Shading is for readability purposes only.

Liquid Drain Capacities – A8

A8 – Liquid Drain Capacities (Tons)

R-134a

| Cond Temp °F Sat Pressure psig | Evaporator Temperature (Sat Pres) psig | Pressure Drop psi | A8 3/8" 9mm | A8 5/8" 15mm | A8 7/8" 22mm | A81 1-1/8" 28mm | A81 1-3/8" 35mm | A82 1-5/8" 42mm | A82 2-1/8" 54mm | A82 2-5/8" 66mm |
|--------------------------------------|--|-------------------------|-------------------|--------------------|--------------------|-----------------------|-----------------------|-----------------------|-----------------------|-----------------------|
| 75°F 78.6 psig | -40°F (14.7 in. hg) | 3 | 7.9 | 19.9 | 28.0 | 35.7 | 63.3 | 94.4 | 166.2 | 212.9 |
| | | 6 | 11.1 | 28.2 | 39.7 | 50.5 | 89.6 | 133.5 | 235.0 | 301.0 |
| | 0°F (6.5) | 3 | 8.6 | 21.8 | 30.7 | 39.0 | 69.3 | 103.2 | 181.7 | 232.8 |
| | | 6 | 12.2 | 30.8 | 43.4 | 55.2 | 97.9 | 145.9 | 257.0 | 329.2 |
| | 40°F (35.1) | 3 | 9.3 | 23.6 | 33.2 | 42.3 | 75.0 | 111.7 | 196.7 | 251.9 |
| | | 6 | 13.2 | 33.3 | 46.9 | 59.8 | 106.0 | 158.0 | 278.2 | 356.3 |
| 95°F 113.8 psig | -40°F (14.7 in. hg) | 3 | 6.9 | 17.6 | 24.7 | 31.5 | 55.8 | 83.1 | 146.4 | 187.5 |
| | | 6 | 9.8 | 24.8 | 34.9 | 44.5 | 78.9 | 117.6 | 207.1 | 265.2 |
| | 0°F (6.5) | 3 | 7.7 | 19.4 | 27.3 | 34.7 | 61.6 | 91.8 | 161.7 | 207.1 |
| | | 6 | 10.8 | 27.4 | 38.6 | 49.1 | 87.1 | 129.8 | 228.7 | 292.9 |
| | 40°F (35.1) | 3 | 8.3 | 21.1 | 29.8 | 37.9 | 67.2 | 100.2 | 176.4 | 225.9 |
| | | 6 | 11.8 | 29.9 | 42.1 | 53.6 | 95.1 | 141.6 | 249.5 | 319.5 |
| 115°F 158.4 psig | -40°F (14.7 in. hg) | 3 | 6.0 | 15.1 | 21.3 | 27.1 | 48.2 | 71.8 | 126.4 | 161.8 |
| | | 6 | 8.5 | 21.4 | 30.2 | 38.4 | 68.1 | 101.5 | 178.7 | 228.9 |
| | 0°F (6.5) | 3 | 6.7 | 16.9 | 23.9 | 30.4 | 53.9 | 80.3 | 141.4 | 181.0 |
| | | 6 | 9.5 | 24.0 | 33.7 | 42.9 | 76.2 | 113.5 | 199.9 | 256.0 |
| | 40°F (35.1) | 3 | 7.4 | 18.7 | 26.3 | 33.5 | 59.4 | 88.5 | 155.8 | 199.5 |
| | | 6 | 10.4 | 26.4 | 37.2 | 47.3 | 83.9 | 125.1 | 220.3 | 282.1 |

Note: Shading is for readability purposes only.

A8 – Liquid Drain Capacities (Kilowatts)

R-134a

| Cond Temp °C Sat Pressure bar | Evaporator Temperature | Pressure Drop bar | A8 3/8" 9mm | A8 5/8" 15mm | A8 7/8" 22mm | A81 1-1/8" 28mm | A81 1-3/8" 35mm | A82 1-5/8" 42mm | A82 2-1/8" 54mm | A82 2-5/8" 66mm |
|-------------------------------------|---------------------------|-------------------------|-------------------|--------------------|--------------------|-----------------------|-----------------------|-----------------------|-----------------------|-----------------------|
| 25°C 5.5 bar | -40°C (373 mm hg) | 0.2 | 26.6 | 67.5 | 95.0 | 120.9 | 214.5 | 319.7 | 563.0 | 721.1 |
| | | 0.4 | 37.7 | 95.4 | 134.4 | 171.0 | 303.4 | 452.1 | 796.2 | 1019.8 |
| | -20°C (91.4 mm hg) | 0.2 | 28.9 | 73.3 | 103.2 | 131.3 | 232.9 | 347.1 | 611.2 | 782.8 |
| | | 0.4 | 40.9 | 103.6 | 145.9 | 185.7 | 329.4 | 490.8 | 864.4 | 1107.1 |
| | 0°C (1.9) | 0.2 | 31.1 | 78.9 | 111.0 | 141.3 | 250.7 | 373.5 | 657.8 | 842.5 |
| | | 0.4 | 44.0 | 111.5 | 157.0 | 199.8 | 354.5 | 528.2 | 930.3 | 1191.5 |
| 30°C 6.7 bar | -40°C (373 in. hg) | 0.2 | 25.2 | 63.8 | 89.8 | 114.3 | 202.8 | 302.2 | 532.3 | 681.7 |
| | | 0.4 | 35.6 | 90.2 | 127.0 | 161.7 | 286.9 | 427.4 | 752.7 | 964.1 |
| | -20°C (91.4 mm hg) | 0.2 | 27.5 | 69.5 | 97.9 | 124.6 | 221.1 | 329.4 | 580.1 | 743.0 |
| | | 0.4 | 38.8 | 98.3 | 138.5 | 176.2 | 312.6 | 465.8 | 820.4 | 1050.7 |
| | 0°C (1.9) | 0.2 | 29.6 | 75.1 | 105.7 | 134.6 | 238.7 | 355.7 | 626.3 | 802.2 |
| | | 0.4 | 41.9 | 106.2 | 149.5 | 190.3 | 337.5 | 503.0 | 885.8 | 1134.5 |
| 35°C 7.8 bar | -40°C (373 in. hg) | 0.2 | 23.7 | 60.1 | 84.6 | 107.7 | 191.1 | 284.7 | 501.4 | 642.1 |
| | | 0.4 | 33.6 | 85.0 | 119.7 | 152.3 | 270.2 | 402.6 | 709.1 | 908.1 |
| | -20°C (91.4 mm hg) | 0.2 | 26.0 | 65.8 | 92.6 | 117.9 | 209.1 | 311.6 | 548.8 | 702.9 |
| | | 0.4 | 36.7 | 93.0 | 131.0 | 166.7 | 295.8 | 440.7 | 776.2 | 994.1 |
| | 0°C (1.9) | 0.2 | 28.1 | 71.3 | 100.4 | 127.8 | 226.6 | 337.7 | 594.7 | 761.7 |
| | | 0.4 | 39.8 | 100.8 | 141.9 | 180.7 | 320.5 | 477.6 | 841.0 | 1077.2 |

Note: Shading is for readability purposes only.

Liquid Drain Capacities – A8

A8 – Liquid Drain Capacities (Tons)

R-404A

| Cond Temp °F Sat Pressure psig | Evaporator Temperature (Sat Pres) psig | Pressure Drop psi | A8 3/8" 9mm | A8 5/8" 15mm | A8 7/8" 22mm | A81 1-1/8" 28mm | A81 1-3/8" 35mm | A82 1-5/8" 42mm | A82 2-1/8" 54mm | A82 2-5/8" 66mm |
|--------------------------------------|--|-------------------------|-------------------|--------------------|--------------------|-----------------------|-----------------------|-----------------------|-----------------------|-----------------------|
| 75°F 161.2 psig | -40°F (2.7) | 3 | 5.8 | 14.8 | 20.8 | 26.5 | 47.0 | 70.1 | 123.4 | 158.1 |
| | | 6 | 8.3 | 20.9 | 29.5 | 37.5 | 66.5 | 99.1 | 174.6 | 223.6 |
| | 0°F (33.5) | 3 | 6.5 | 16.6 | 23.3 | 29.7 | 52.7 | 78.5 | 138.2 | 177.0 |
| | | 6 | 9.2 | 23.4 | 33.0 | 42.0 | 74.5 | 111.0 | 195.4 | 250.3 |
| | 40°F (86.4) | 3 | 7.2 | 18.2 | 25.6 | 32.6 | 57.8 | 86.2 | 151.8 | 194.4 |
| | | 6 | 10.2 | 25.7 | 36.2 | 46.1 | 81.8 | 121.9 | 214.6 | 274.9 |
| 95°F 219.4 psig | -40°F (2.7) | 3 | 4.8 | 12.3 | 17.3 | 22.0 | 39.0 | 58.1 | 102.4 | 131.1 |
| | | 6 | 6.9 | 17.4 | 24.4 | 31.1 | 55.2 | 82.2 | 144.8 | 185.4 |
| | 0°F (33.5) | 3 | 5.5 | 14.0 | 19.7 | 25.1 | 44.5 | 66.3 | 116.8 | 149.5 |
| | | 6 | 7.8 | 19.8 | 27.9 | 35.5 | 62.9 | 93.8 | 165.1 | 211.5 |
| | 40°F (86.4) | 3 | 6.2 | 15.6 | 21.9 | 27.9 | 49.5 | 73.8 | 130.0 | 166.5 |
| | | 6 | 8.7 | 22.0 | 31.0 | 39.5 | 70.1 | 104.4 | 183.9 | 235.5 |
| 115°F 290.9 psig | -40°F (2.7) | 3 | 3.8 | 9.6 | 13.5 | 17.2 | 30.6 | 45.5 | 80.2 | 102.7 |
| | | 6 | 5.4 | 13.6 | 19.1 | 24.4 | 43.2 | 64.4 | 113.4 | 145.2 |
| | 0°F (33.5) | 3 | 4.5 | 11.3 | 15.9 | 20.2 | 35.9 | 53.4 | 94.1 | 120.6 |
| | | 6 | 6.3 | 16.0 | 22.5 | 28.6 | 50.7 | 75.6 | 133.1 | 170.5 |
| | 40°F (86.4) | 3 | 5.1 | 12.8 | 18.1 | 23.0 | 40.8 | 60.7 | 107.0 | 137.0 |
| | | 6 | 7.2 | 18.1 | 25.5 | 32.5 | 57.6 | 85.9 | 151.3 | 193.7 |

Note: Shading is for readability purposes only.

A8 – Liquid Drain Capacities (Kilowatts)

R-404A

| Cond Temp °C Sat Pressure bar | Evaporator Temperature | Pressure Drop bar | A8 3/8" 9mm | A8 5/8" 15mm | A8 7/8" 22mm | A81 1-1/8" 28mm | A81 1-3/8" 35mm | A82 1-5/8" 42mm | A82 2-1/8" 54mm | A82 2-5/8" 66mm |
|-------------------------------------|---------------------------|-------------------------|-------------------|--------------------|--------------------|-----------------------|-----------------------|-----------------------|-----------------------|-----------------------|
| 25°C 11.2 bar | -40°C (0.3) | 0.2 | 19.6 | 49.7 | 70.0 | 89.1 | 158.0 | 235.5 | 414.7 | 531.1 |
| | | 0.4 | 27.8 | 70.3 | 99.0 | 126.0 | 223.5 | 333.0 | 586.5 | 751.1 |
| | -20°C (2.0) | 0.2 | 21.8 | 55.2 | 77.7 | 98.9 | 175.5 | 261.5 | 460.5 | 589.8 |
| | | 0.4 | 30.8 | 78.1 | 109.9 | 139.9 | 248.2 | 369.8 | 651.3 | 834.1 |
| | 0°C (4.9) | 0.2 | 23.8 | 60.3 | 84.9 | 108.1 | 191.8 | 285.8 | 503.3 | 644.6 |
| | | 0.4 | 33.7 | 85.3 | 120.1 | 152.9 | 271.2 | 404.1 | 711.7 | 911.5 |
| 30°C 13.1 bar | -40°C (0.3) | 0.2 | 18.1 | 45.8 | 64.5 | 82.1 | 145.6 | 217.0 | 382.2 | 489.4 |
| | | 0.4 | 25.6 | 64.8 | 91.2 | 116.1 | 205.9 | 306.9 | 540.4 | 692.2 |
| | -20°C (2.0) | 0.2 | 20.2 | 51.2 | 72.1 | 91.8 | 162.9 | 242.7 | 427.5 | 547.5 |
| | | 0.4 | 28.6 | 72.5 | 102.0 | 129.9 | 230.4 | 343.3 | 604.5 | 774.3 |
| | 0°C (4.9) | 0.2 | 22.2 | 56.3 | 79.3 | 100.9 | 179.0 | 266.7 | 469.7 | 601.6 |
| | | 0.4 | 31.4 | 79.6 | 112.1 | 142.7 | 253.1 | 377.2 | 664.3 | 850.8 |
| 35°C 15.1 bar | -40°C (0.3) | 0.2 | 16.5 | 41.8 | 58.9 | 75.0 | 133.0 | 198.1 | 348.9 | 446.9 |
| | | 0.4 | 23.3 | 59.2 | 83.3 | 106.0 | 188.0 | 280.2 | 493.5 | 632.0 |
| | -20°C (2.0) | 0.2 | 18.6 | 47.2 | 66.4 | 84.6 | 150.0 | 223.6 | 393.7 | 504.2 |
| | | 0.4 | 26.3 | 66.7 | 94.0 | 119.6 | 212.2 | 316.1 | 556.8 | 713.1 |
| | 0°C (4.9) | 0.2 | 20.6 | 52.2 | 73.5 | 93.5 | 165.9 | 247.3 | 435.4 | 557.7 |
| | | 0.4 | 29.1 | 73.8 | 103.9 | 132.3 | 234.7 | 349.7 | 615.8 | 788.7 |

Note: Shading is for readability purposes only.

Liquid Drain Capacities – A8

A8 – Liquid Drain Capacities (Tons)

R-507

| Cond Temp °F Sat Pressure psig | Evaporator Temperature (Sat Pres) psig | Pressure Drop psi | A8 3/8" 9mm | A8 5/8" 15mm | A8 7/8" 22mm | A81 1-1/8" 28mm | A81 1-3/8" 35mm | A82 1-5/8" 42mm | A82 2-1/8" 54mm | A82 2-5/8" 66mm |
|--------------------------------------|--|-------------------------|-------------------|--------------------|--------------------|-----------------------|-----------------------|-----------------------|-----------------------|-----------------------|
| 75°F 167.0 psig | -40°F (5.5) | 3 | 5.8 | 14.6 | 20.6 | 26.3 | 46.6 | 69.4 | 122.2 | 156.5 |
| | | 6 | 8.2 | 20.7 | 29.2 | 37.1 | 65.9 | 98.1 | 172.8 | 221.3 |
| | 0°F (35.2) | 3 | 6.4 | 16.3 | 22.9 | 29.2 | 51.8 | 77.2 | 136.0 | 174.1 |
| | | 6 | 9.1 | 23.0 | 32.5 | 41.3 | 73.3 | 109.2 | 192.3 | 246.3 |
| | 40°F (89.8) | 3 | 7.0 | 17.9 | 25.1 | 32.0 | 56.8 | 84.6 | 148.9 | 190.8 |
| | | 6 | 10.0 | 25.3 | 35.6 | 45.3 | 80.3 | 119.6 | 210.6 | 269.8 |
| 95°F 226.0 psig | -40°F (5.5) | 3 | 4.9 | 12.4 | 17.4 | 22.2 | 39.3 | 58.6 | 103.2 | 132.2 |
| | | 6 | 6.9 | 17.5 | 24.6 | 31.4 | 55.6 | 82.9 | 146.0 | 187.0 |
| | 0°F (35.2) | 3 | 5.5 | 14.0 | 19.7 | 25.1 | 44.4 | 66.2 | 116.6 | 149.4 |
| | | 6 | 7.8 | 19.8 | 27.8 | 35.4 | 62.9 | 93.7 | 164.9 | 211.3 |
| | 40°F (89.8) | 3 | 6.1 | 15.5 | 21.8 | 27.8 | 49.3 | 73.4 | 129.3 | 165.6 |
| | | 6 | 8.7 | 21.9 | 30.9 | 39.3 | 69.7 | 103.8 | 182.8 | 234.2 |
| 115°F 301.0 psig | -40°F (5.5) | 3 | 3.9 | 10.0 | 14.1 | 17.9 | 31.8 | 47.4 | 83.4 | 106.8 |
| | | 6 | 5.6 | 14.1 | 19.9 | 25.3 | 44.9 | 67.0 | 117.9 | 151.1 |
| | 0°F (35.2) | 3 | 4.6 | 11.6 | 16.3 | 20.7 | 36.7 | 54.7 | 96.4 | 123.5 |
| | | 6 | 6.5 | 16.3 | 23.0 | 29.3 | 52.0 | 77.4 | 136.3 | 174.6 |
| | 40°F (89.8) | 3 | 5.1 | 13.0 | 18.3 | 23.3 | 41.4 | 61.7 | 108.7 | 139.2 |
| | | 6 | 7.3 | 18.4 | 25.9 | 33.0 | 58.6 | 87.3 | 153.7 | 196.8 |

Note: Shading is for readability purposes only.

A8 – Liquid Drain Capacities (Kilowatts)

R-507

| Cond Temp °C Sat Pressure bar | Evaporator Temperature | Pressure Drop bar | A8 3/8" 9mm | A8 5/8" 15mm | A8 7/8" 22mm | A81 1-1/8" 28mm | A81 1-3/8" 35mm | A82 1-5/8" 42mm | A82 2-1/8" 54mm | A82 2-5/8" 66mm |
|-------------------------------------|---------------------------|-------------------------|-------------------|--------------------|--------------------|-----------------------|-----------------------|-----------------------|-----------------------|-----------------------|
| 25°C 11.6 bar | -40°C (0.4) | 0.2 | 19.5 | 49.3 | 69.4 | 88.4 | 156.8 | 233.6 | 411.3 | 526.8 |
| | | 0.4 | 27.5 | 69.7 | 98.2 | 125.0 | 221.7 | 330.3 | 581.7 | 745.1 |
| | -20°C (2.1) | 0.2 | 21.5 | 54.4 | 76.6 | 97.5 | 173.0 | 257.8 | 454.0 | 581.4 |
| | | 0.4 | 30.4 | 77.0 | 108.4 | 137.9 | 244.7 | 364.6 | 642.0 | 822.3 |
| | 0°C (5.2) | 0.2 | 23.4 | 59.3 | 83.5 | 106.2 | 188.4 | 280.8 | 494.5 | 633.3 |
| | | 0.4 | 33.1 | 83.8 | 118.0 | 150.2 | 266.5 | 397.1 | 699.3 | 895.7 |
| 30°C 13.5 bar | -40°C (0.4) | 0.2 | 18.1 | 45.8 | 64.5 | 82.1 | 145.5 | 216.9 | 381.9 | 489.2 |
| | | 0.4 | 25.6 | 64.7 | 91.2 | 116.0 | 205.8 | 306.7 | 540.1 | 691.8 |
| | -20°C (2.1) | 0.2 | 20.1 | 50.8 | 71.6 | 91.1 | 161.6 | 240.8 | 424.1 | 543.2 |
| | | 0.4 | 28.4 | 71.9 | 101.2 | 128.8 | 228.6 | 340.6 | 599.8 | 768.1 |
| | 0°C (5.2) | 0.2 | 22.0 | 55.6 | 78.3 | 99.7 | 176.9 | 263.6 | 464.2 | 594.5 |
| | | 0.4 | 31.1 | 78.7 | 110.8 | 141.0 | 250.2 | 372.7 | 656.4 | 840.7 |
| 35°C 15.6 bar | -40°C (0.4) | 0.2 | 16.7 | 42.2 | 59.4 | 75.7 | 134.2 | 200.0 | 352.2 | 451.1 |
| | | 0.4 | 23.6 | 59.7 | 84.1 | 107.0 | 189.8 | 282.8 | 498.1 | 637.9 |
| | -20°C (2.1) | 0.2 | 18.6 | 47.2 | 66.5 | 84.6 | 150.1 | 223.6 | 393.8 | 504.4 |
| | | 0.4 | 26.4 | 66.8 | 94.0 | 119.6 | 212.2 | 316.3 | 557.0 | 713.3 |
| | 0°C (5.2) | 0.2 | 20.5 | 52.0 | 73.1 | 93.1 | 165.2 | 246.1 | 433.4 | 555.1 |
| | | 0.4 | 29.0 | 73.5 | 103.4 | 131.7 | 233.6 | 348.0 | 613.0 | 785.0 |

Note: Shading is for readability purposes only.

Discharge Capacities – A8

A8 – Discharge Capacities (Tons)

R-22

| Cond Temp °F Sat Pressure psig | Evaporator Temperature (Sat Pres) psig | Discharge Temp °F | Pressure Drop psi | A8A 3/8" 9mm | A8A 5/8" 15mm | A8A 7/8" 22mm | A81 1-1/8" 28mm | A81 1-3/8" 35mm | A82 1-5/8" 42mm | A82 2-1/8" 54mm | A82 2-5/8" 66mm |
|--------------------------------------|--|----------------------|-------------------------|--------------------|---------------------|---------------------|-----------------------|-----------------------|-----------------------|-----------------------|-----------------------|
| 75°F 132.0 psig | -40°F (0.5) | 140 | 3 | 1.5 | 3.8 | 5.3 | 6.8 | 12.0 | 17.9 | 31.4 | 40.2 |
| | | 180 | | 1.4 | 3.6 | 5.1 | 6.5 | 11.4 | 17.1 | 30.0 | 38.4 |
| | | 220 | | 1.4 | 3.5 | 4.9 | 6.2 | 11.0 | 16.4 | 28.8 | 36.9 |
| | | 140 | 6 | 2.1 | 5.3 | 7.5 | 9.6 | 16.9 | 25.2 | 44.3 | 56.7 |
| | | 180 | | 2.0 | 5.1 | 7.2 | 9.1 | 16.1 | 24.1 | 42.3 | 54.2 |
| | | 220 | | 1.9 | 4.9 | 6.9 | 8.8 | 15.5 | 23.1 | 40.7 | 52.0 |
| | 0°F (24.0) | 140 | 3 | 1.6 | 4.0 | 5.6 | 7.2 | 12.7 | 18.9 | 33.3 | 42.6 |
| | | 180 | | 1.5 | 3.8 | 5.4 | 6.8 | 12.1 | 18.1 | 31.8 | 40.7 |
| | | 220 | | 1.4 | 3.7 | 5.2 | 6.6 | 11.6 | 17.4 | 30.6 | 39.1 |
| | | 140 | 6 | 2.2 | 5.6 | 7.9 | 10.1 | 17.9 | 26.7 | 47.0 | 60.1 |
| | | 180 | | 2.1 | 5.4 | 7.6 | 9.7 | 17.1 | 25.5 | 44.9 | 57.4 |
| | | 220 | | 2.0 | 5.2 | 7.3 | 9.3 | 16.4 | 24.5 | 43.1 | 55.1 |
| | 40°F (68.5) | 140 | 3 | 1.6 | 4.2 | 5.9 | 7.5 | 13.3 | 19.9 | 34.9 | 44.7 |
| | | 180 | | 1.6 | 4.0 | 5.6 | 7.2 | 12.7 | 19.0 | 33.4 | 42.7 |
| | | 220 | | 1.5 | 3.8 | 5.4 | 6.9 | 12.2 | 18.2 | 32.1 | 41.1 |
| | | 140 | 6 | 2.3 | 5.9 | 8.3 | 10.6 | 18.8 | 28.1 | 49.3 | 63.1 |
| | | 180 | | 2.2 | 5.6 | 8.0 | 10.2 | 18.0 | 26.8 | 47.1 | 60.3 |
| | | 220 | | 2.1 | 5.4 | 7.7 | 9.8 | 17.2 | 25.7 | 45.3 | 57.9 |
| 95°F 182.0 psig | -40°F (0.5) | 140 | 3 | 1.6 | 4.1 | 5.8 | 7.4 | 13.0 | 19.4 | 34.2 | 43.8 |
| | | 180 | | 1.5 | 3.9 | 5.5 | 7.0 | 12.4 | 18.4 | 32.4 | 41.5 |
| | | 220 | | 1.5 | 3.7 | 5.2 | 6.7 | 11.8 | 17.6 | 31.0 | 39.7 |
| | | 140 | 6 | 2.3 | 5.8 | 8.2 | 10.4 | 18.4 | 27.5 | 48.3 | 61.8 |
| | | 180 | | 2.2 | 5.5 | 7.7 | 9.9 | 17.5 | 26.1 | 45.8 | 58.6 |
| | | 220 | | 2.1 | 5.2 | 7.4 | 9.4 | 16.7 | 24.9 | 43.8 | 56.1 |
| | 0°F (24.0) | 140 | 3 | 1.7 | 4.4 | 6.1 | 7.8 | 13.9 | 20.7 | 36.4 | 46.6 |
| | | 180 | | 1.6 | 4.1 | 5.8 | 7.4 | 13.2 | 19.6 | 34.5 | 44.2 |
| | | 220 | | 1.6 | 4.0 | 5.6 | 7.1 | 12.6 | 18.8 | 33.1 | 42.3 |
| | | 140 | 6 | 2.4 | 6.2 | 8.7 | 11.1 | 19.6 | 29.2 | 51.4 | 65.8 |
| | | 180 | | 2.3 | 5.8 | 8.2 | 10.5 | 18.6 | 27.7 | 48.8 | 62.4 |
| | | 220 | | 2.2 | 5.6 | 7.9 | 10.1 | 17.8 | 26.5 | 46.7 | 59.7 |
| | 40°F (68.5) | 140 | 3 | 1.8 | 4.6 | 6.5 | 8.3 | 14.6 | 21.8 | 38.4 | 49.1 |
| | | 180 | | 1.7 | 4.4 | 6.2 | 7.8 | 13.9 | 20.7 | 36.4 | 46.6 |
| | | 220 | | 1.6 | 4.2 | 5.9 | 7.5 | 13.3 | 19.8 | 34.8 | 44.6 |
| | | 140 | 6 | 2.5 | 6.5 | 9.2 | 11.7 | 20.7 | 30.8 | 54.2 | 69.4 |
| | | 180 | | 2.4 | 6.2 | 8.7 | 11.1 | 19.6 | 29.2 | 51.4 | 65.8 |
| | | 220 | | 2.3 | 5.9 | 8.3 | 10.6 | 18.8 | 28.0 | 49.2 | 63.0 |
| 115°F 243.0 psig | -40°F (0.5) | 140 | 3 | 1.7 | 4.4 | 6.2 | 7.9 | 14.0 | 20.9 | 36.8 | 47.1 |
| | | 180 | | 1.6 | 4.1 | 5.8 | 7.4 | 13.2 | 19.6 | 34.5 | 44.2 |
| | | 220 | | 1.5 | 3.9 | 5.5 | 7.1 | 12.5 | 18.6 | 32.8 | 42.0 |
| | | 140 | 6 | 2.4 | 6.2 | 8.8 | 11.2 | 19.8 | 29.6 | 52.0 | 66.5 |
| | | 180 | | 2.3 | 5.8 | 8.2 | 10.5 | 18.6 | 27.7 | 48.8 | 62.4 |
| | | 220 | | 2.2 | 5.6 | 7.8 | 10.0 | 17.7 | 26.4 | 46.4 | 59.3 |
| | 0°F (24.0) | 140 | 3 | 1.9 | 4.7 | 6.7 | 8.5 | 15.0 | 22.4 | 39.4 | 50.5 |
| | | 180 | | 1.7 | 4.4 | 6.2 | 8.0 | 14.1 | 21.0 | 37.0 | 47.3 |
| | | 220 | | 1.7 | 4.2 | 5.9 | 7.6 | 13.4 | 20.0 | 35.2 | 45.0 |
| | | 140 | 6 | 2.6 | 6.7 | 9.4 | 12.0 | 21.2 | 31.7 | 55.7 | 71.3 |
| | | 180 | | 2.5 | 6.3 | 8.8 | 11.3 | 19.9 | 29.7 | 52.3 | 66.9 |
| | | 220 | | 2.3 | 5.9 | 8.4 | 10.7 | 18.9 | 28.2 | 49.7 | 63.6 |
| | 40°F (68.5) | 140 | 3 | 2.0 | 5.0 | 7.1 | 9.0 | 15.9 | 23.7 | 41.7 | 53.4 |
| | | 180 | | 1.8 | 4.7 | 6.6 | 8.4 | 14.9 | 22.3 | 39.2 | 50.2 |
| | | 220 | | 1.8 | 4.5 | 6.3 | 8.0 | 14.2 | 21.2 | 37.3 | 47.7 |
| | | 140 | 6 | 2.8 | 7.1 | 10.0 | 12.7 | 22.5 | 33.6 | 59.0 | 75.5 |
| | | 180 | | 2.6 | 6.6 | 9.4 | 11.9 | 21.1 | 31.5 | 55.4 | 70.9 |
| | | 220 | | 2.5 | 6.3 | 8.9 | 11.3 | 20.1 | 29.9 | 52.6 | 67.4 |

Note: Shading is for readability purposes only.

Discharge Capacities – A8

A8 – Discharge Capacities (Kilowatts)

R-22

| Cond Temp °C Sat Pressure bar | Evaporator Temperature (Sat Pres) bar | Discharge Temp °C | Pressure Drop bar | A8A 3/8" 9mm | A8A 5/8" 15mm | A8A 7/8" 22mm | A81 1-1/8" 28mm | A81 1-3/8" 35mm | A82 1-5/8" 42mm | A82 2-1/8" 54mm | A82 2-5/8" 66mm |
|-------------------------------------|---|----------------------|-------------------------|--------------------|---------------------|---------------------|-----------------------|-----------------------|-----------------------|-----------------------|-----------------------|
| 25°C 9.2 bar | -40°C (0.0) | 60 | 0.2 | 5.1 | 13.0 | 18.4 | 23.4 | 41.5 | 61.9 | 108.9 | 139.4 |
| | | 80 | | 4.9 | 12.5 | 17.6 | 22.5 | 39.8 | 59.4 | 104.4 | 133.7 |
| | | 100 | | 4.7 | 12.1 | 17.0 | 21.7 | 38.4 | 57.2 | 100.7 | 128.9 |
| | | 60 | 0.4 | 7.2 | 18.4 | 26.0 | 33.2 | 58.6 | 87.5 | 153.8 | 196.8 |
| | | 80 | | 6.9 | 17.6 | 24.9 | 31.8 | 56.2 | 83.9 | 147.5 | 188.7 |
| | | 100 | | 6.7 | 17.0 | 24.0 | 30.6 | 54.2 | 80.8 | 142.1 | 181.8 |
| | -20°C (1.4) | 60 | 0.2 | 5.4 | 13.8 | 19.4 | 24.7 | 43.8 | 65.3 | 114.8 | 147.0 |
| | | 80 | | 5.2 | 13.2 | 18.6 | 23.7 | 42.0 | 62.6 | 110.1 | 141.0 |
| | | 100 | | 5.0 | 12.7 | 17.9 | 22.9 | 40.5 | 60.3 | 106.2 | 135.9 |
| | | 60 | 0.4 | 7.6 | 19.4 | 27.4 | 35.0 | 61.8 | 92.3 | 162.2 | 207.5 |
| | | 80 | | 7.3 | 18.6 | 26.3 | 33.5 | 59.3 | 88.5 | 155.5 | 198.9 |
| | | 100 | | 7.0 | 17.9 | 25.4 | 32.3 | 57.1 | 85.2 | 149.8 | 191.7 |
| | 0°C (4.0) | 60 | 0.2 | 5.7 | 14.4 | 20.3 | 25.9 | 45.8 | 68.3 | 120.2 | 153.9 |
| | | 80 | | 5.4 | 13.8 | 19.5 | 24.8 | 43.9 | 65.5 | 115.3 | 147.6 |
| | | 100 | | 5.2 | 13.3 | 18.8 | 23.9 | 42.3 | 63.1 | 111.1 | 142.2 |
| | | 60 | 0.4 | 8.0 | 20.3 | 28.7 | 36.6 | 64.7 | 96.6 | 169.7 | 217.2 |
| | | 80 | | 7.6 | 19.5 | 27.5 | 35.1 | 62.0 | 92.6 | 162.7 | 208.2 |
| | | 100 | | 7.4 | 18.8 | 26.5 | 33.8 | 59.8 | 89.2 | 156.8 | 200.7 |
| 30°C 10.9 bar | -40°C (0.0) | 60 | 0.2 | 5.3 | 13.6 | 19.1 | 24.4 | 43.2 | 64.3 | 113.2 | 145.0 |
| | | 80 | | 5.1 | 13.0 | 18.3 | 23.3 | 41.3 | 61.6 | 108.3 | 138.7 |
| | | 100 | | 4.9 | 12.5 | 17.6 | 22.4 | 39.7 | 59.2 | 104.2 | 133.4 |
| | | 60 | 0.4 | 7.5 | 19.1 | 27.1 | 34.5 | 61.0 | 91.0 | 160.0 | 204.7 |
| | | 80 | | 7.2 | 18.3 | 25.9 | 33.0 | 58.3 | 87.0 | 153.0 | 195.8 |
| | | 100 | | 6.9 | 17.6 | 24.9 | 31.7 | 56.1 | 83.7 | 147.2 | 188.3 |
| | -20°C (1.4) | 60 | 0.2 | 5.6 | 14.3 | 20.2 | 25.7 | 45.6 | 68.0 | 119.6 | 153.2 |
| | | 80 | | 5.4 | 13.7 | 19.3 | 24.6 | 43.6 | 65.0 | 114.4 | 146.5 |
| | | 100 | | 5.2 | 13.2 | 18.6 | 23.7 | 42.0 | 62.6 | 110.1 | 141.0 |
| | | 60 | 0.4 | 7.9 | 20.2 | 28.6 | 36.4 | 64.4 | 96.1 | 169.0 | 216.3 |
| | | 80 | | 7.6 | 19.3 | 27.3 | 34.8 | 61.6 | 91.9 | 161.6 | 206.8 |
| | | 100 | | 7.3 | 18.6 | 26.3 | 33.5 | 59.3 | 88.5 | 155.5 | 199.0 |
| | 0°C (4.0) | 60 | 0.2 | 5.9 | 15.0 | 21.2 | 27.0 | 47.8 | 71.3 | 125.4 | 160.6 |
| | | 80 | | 5.7 | 14.4 | 20.3 | 25.8 | 45.7 | 68.2 | 120.0 | 153.6 |
| | | 100 | | 5.4 | 13.8 | 19.5 | 24.8 | 44.0 | 65.6 | 115.4 | 147.8 |
| | | 60 | 0.4 | 8.3 | 21.2 | 30.0 | 38.2 | 67.5 | 100.8 | 177.2 | 226.7 |
| | | 80 | | 8.0 | 20.3 | 28.7 | 36.5 | 64.6 | 96.4 | 169.5 | 216.8 |
| | | 100 | | 7.7 | 19.5 | 27.6 | 35.1 | 62.1 | 92.7 | 163.0 | 208.6 |
| 35°C 12.6 bar | -40°C (0.0) | 60 | 0.2 | 5.5 | 14.1 | 19.8 | 25.3 | 44.8 | 66.7 | 117.4 | 150.3 |
| | | 80 | | 5.3 | 13.4 | 18.9 | 24.1 | 42.7 | 63.6 | 112.0 | 143.4 |
| | | 100 | | 5.1 | 12.9 | 18.2 | 23.1 | 41.0 | 61.1 | 107.5 | 137.7 |
| | | 60 | 0.4 | 7.8 | 19.9 | 28.1 | 35.8 | 63.2 | 94.3 | 165.9 | 212.3 |
| | | 80 | | 7.4 | 18.9 | 26.7 | 34.1 | 60.3 | 89.9 | 158.2 | 202.4 |
| | | 100 | | 7.1 | 18.2 | 25.7 | 32.7 | 57.9 | 86.4 | 151.8 | 194.3 |
| | -20°C (1.4) | 60 | 0.2 | 5.9 | 14.9 | 21.0 | 26.8 | 47.4 | 70.7 | 124.4 | 159.2 |
| | | 80 | | 5.6 | 14.2 | 20.0 | 25.5 | 45.2 | 67.4 | 118.6 | 151.8 |
| | | 100 | | 5.4 | 13.6 | 19.2 | 24.5 | 43.4 | 64.7 | 113.9 | 145.8 |
| | | 60 | 0.4 | 8.3 | 21.0 | 29.7 | 37.9 | 67.0 | 99.9 | 175.7 | 224.8 |
| | | 80 | | 7.9 | 20.0 | 28.3 | 36.1 | 63.8 | 95.2 | 167.5 | 214.3 |
| | | 100 | | 7.6 | 19.2 | 27.2 | 34.6 | 61.3 | 91.4 | 160.8 | 205.8 |
| | 0°C (4.0) | 60 | 0.2 | 6.2 | 15.6 | 22.1 | 28.1 | 49.8 | 74.2 | 130.6 | 167.2 |
| | | 80 | | 5.9 | 14.9 | 21.0 | 26.8 | 47.5 | 70.8 | 124.5 | 159.4 |
| | | 100 | | 5.6 | 14.3 | 20.2 | 25.7 | 45.6 | 68.0 | 119.6 | 153.1 |
| | | 60 | 0.4 | 8.7 | 22.1 | 31.2 | 39.8 | 70.3 | 104.9 | 184.5 | 236.1 |
| | | 80 | | 8.3 | 21.1 | 29.7 | 37.9 | 67.0 | 100.0 | 175.9 | 225.1 |
| | | 100 | | 7.9 | 20.2 | 28.6 | 36.4 | 64.4 | 96.0 | 168.9 | 216.1 |

Note: Shading is for readability purposes only.

Discharge Capacities – A8

A8 – Discharge Capacities (Tons)

R-134a

| Cond Temp °F Sat Pressure psig | Evaporator Temperature (Sat Pres) psig | Discharge Temp °F | Pressure Drop psi | A8A 3/8" 9mm | A8A 5/8" 15mm | A8A 7/8" 22mm | A81 1-1/8" 28mm | A81 1-3/8" 35mm | A82 1-5/8" 42mm | A82 2-1/8" 54mm | A82 2-5/8" 66mm | |
|--------------------------------------|--|------------------------|-------------------------|--------------------|---------------------|---------------------|-----------------------|-----------------------|-----------------------|-----------------------|-----------------------|------|
| 75°F 78.6 psig | -40°F (14.7 in. hg) | 140 | 3 | 1.1 | 2.9 | 4.1 | 5.2 | 9.2 | 13.7 | 24.1 | 30.8 | |
| | | 180 | | 1.1 | 2.8 | 3.9 | 5.0 | 8.8 | 13.1 | 23.0 | 29.5 | |
| | | 220 | | 1.0 | 2.7 | 3.7 | 4.8 | 8.4 | 12.6 | 22.2 | 28.4 | |
| | | 140 | 6 | 1.6 | 4.1 | 5.8 | 7.3 | 12.9 | 19.3 | 33.9 | 43.4 | |
| | | 180 | | 1.5 | 3.9 | 5.5 | 7.0 | 12.4 | 18.5 | 32.5 | 41.5 | |
| | | 220 | | 1.5 | 3.7 | 5.3 | 6.8 | 11.9 | 17.8 | 31.2 | 39.9 | |
| | 0°F (6.5) | 140 | 3 | 1.2 | 3.2 | 4.5 | 5.7 | 10.0 | 15.0 | 26.3 | 33.7 | |
| | | 180 | | 1.2 | 3.0 | 4.3 | 5.4 | 9.6 | 14.3 | 25.2 | 32.2 | |
| | | 220 | | 1.1 | 2.9 | 4.1 | 5.2 | 9.2 | 13.8 | 24.2 | 31.0 | |
| | | 140 | 6 | 1.7 | 4.4 | 6.3 | 8.0 | 14.2 | 21.2 | 37.1 | 47.5 | |
| | | 180 | | 1.7 | 4.2 | 6.0 | 7.7 | 13.5 | 20.2 | 35.5 | 45.4 | |
| | | 220 | | 1.6 | 4.1 | 5.8 | 7.4 | 13.0 | 19.4 | 34.1 | 43.6 | |
| | 40°F (35.1) | 140 | 3 | 1.3 | 3.4 | 4.8 | 6.1 | 10.9 | 16.2 | 28.5 | 36.5 | |
| | | 180 | | 1.3 | 3.3 | 4.6 | 5.9 | 10.4 | 15.5 | 27.3 | 34.9 | |
| | | 220 | | 1.2 | 3.1 | 4.4 | 5.7 | 10.0 | 14.9 | 26.2 | 33.6 | |
| | | 140 | 6 | 1.9 | 4.8 | 6.8 | 8.7 | 15.3 | 22.9 | 40.2 | 51.4 | |
| | | 180 | | 1.8 | 4.6 | 6.5 | 8.3 | 14.6 | 21.9 | 38.4 | 49.1 | |
| | | 220 | | 1.7 | 4.4 | 6.3 | 8.0 | 14.1 | 21.0 | 36.9 | 47.2 | |
| | 95°F 113.8 psig | -40°F (14.7 in. hg) | 140 | 3 | 1.2 | 3.1 | 4.4 | 5.6 | 9.9 | 14.8 | 26.0 | 33.2 |
| | | | 180 | | 1.2 | 3.0 | 4.2 | 5.3 | 9.4 | 14.0 | 24.7 | 31.6 |
| | | | 220 | | 1.1 | 2.8 | 4.0 | 5.1 | 9.0 | 13.4 | 23.6 | 30.3 |
| | | | 140 | 6 | 1.7 | 4.4 | 6.2 | 7.9 | 14.0 | 20.8 | 36.6 | 46.8 |
| | | | 180 | | 1.6 | 4.2 | 5.9 | 7.5 | 13.3 | 19.8 | 34.8 | 44.5 |
| | | | 220 | | 1.6 | 4.0 | 5.6 | 7.2 | 12.7 | 19.0 | 33.3 | 42.6 |
| 0°F (6.5) | | 140 | 3 | 1.3 | 3.4 | 4.8 | 6.2 | 10.9 | 16.3 | 28.7 | 36.7 | |
| | | 180 | | 1.3 | 3.3 | 4.6 | 5.9 | 10.4 | 15.5 | 27.2 | 34.9 | |
| | | 220 | | 1.2 | 3.1 | 4.4 | 5.6 | 9.9 | 14.8 | 26.1 | 33.4 | |
| | | 140 | 6 | 1.9 | 4.8 | 6.8 | 8.7 | 15.4 | 23.0 | 40.4 | 51.7 | |
| | | 180 | | 1.8 | 4.6 | 6.5 | 8.3 | 14.6 | 21.9 | 38.4 | 49.1 | |
| | | 220 | | 1.7 | 4.4 | 6.2 | 7.9 | 14.0 | 20.9 | 36.8 | 47.1 | |
| 40°F (35.1) | | 140 | 3 | 1.5 | 3.7 | 5.3 | 6.7 | 11.9 | 17.8 | 31.3 | 40.0 | |
| | | 180 | | 1.4 | 3.6 | 5.0 | 6.4 | 11.3 | 16.9 | 29.7 | 38.0 | |
| | | 220 | | 1.3 | 3.4 | 4.8 | 6.1 | 10.9 | 16.2 | 28.5 | 36.4 | |
| | | 140 | 6 | 2.1 | 5.3 | 7.5 | 9.5 | 16.8 | 25.1 | 44.1 | 56.4 | |
| | | 180 | | 2.0 | 5.0 | 7.1 | 9.0 | 16.0 | 23.8 | 41.9 | 53.6 | |
| | | 220 | | 1.9 | 4.8 | 6.8 | 8.7 | 15.3 | 22.8 | 40.1 | 51.3 | |
| 115°F 158.4 psig | | -40°F (14.7 in. hg) | 140 | 3 | 1.3 | 3.3 | 4.6 | 5.9 | 10.4 | 15.6 | 27.4 | 35.1 |
| | | | 180 | | 1.2 | 3.1 | 4.4 | 5.5 | 9.8 | 14.6 | 25.8 | 33.0 |
| | | | 220 | | 1.2 | 2.9 | 4.1 | 5.3 | 9.4 | 14.0 | 24.5 | 31.4 |
| | | | 140 | 6 | 1.8 | 4.6 | 6.6 | 8.4 | 14.8 | 22.0 | 38.7 | 49.6 |
| | | | 180 | | 1.7 | 4.4 | 6.2 | 7.9 | 13.9 | 20.7 | 36.4 | 46.6 |
| | | | 220 | | 1.6 | 4.1 | 5.9 | 7.5 | 13.2 | 19.7 | 34.7 | 44.3 |
| | 0°F (6.5) | 140 | 3 | 1.4 | 3.7 | 5.2 | 6.6 | 11.7 | 17.4 | 30.7 | 39.3 | |
| | | 180 | | 1.4 | 3.5 | 4.9 | 6.2 | 11.0 | 16.4 | 28.8 | 36.9 | |
| | | 220 | | 1.3 | 3.3 | 4.6 | 5.9 | 10.5 | 15.6 | 27.5 | 35.2 | |
| | | 140 | 6 | 2.0 | 5.2 | 7.3 | 9.3 | 16.5 | 24.7 | 43.3 | 55.5 | |
| | | 180 | | 1.9 | 4.9 | 6.9 | 8.8 | 15.5 | 23.2 | 40.7 | 52.1 | |
| | | 220 | | 1.8 | 4.6 | 6.6 | 8.4 | 14.8 | 22.1 | 38.8 | 49.6 | |
| | 40°F (35.1) | 140 | 3 | 1.6 | 4.0 | 5.7 | 7.3 | 12.9 | 19.2 | 33.8 | 43.3 | |
| | | 180 | | 1.5 | 3.8 | 5.4 | 6.8 | 12.1 | 18.1 | 31.8 | 40.7 | |
| | | 220 | | 1.4 | 3.6 | 5.1 | 6.5 | 11.5 | 17.2 | 30.3 | 38.7 | |
| | | 140 | 6 | 2.2 | 5.7 | 8.1 | 10.3 | 18.2 | 27.2 | 47.8 | 61.1 | |
| | | 180 | | 2.1 | 5.4 | 7.6 | 9.7 | 17.1 | 25.5 | 44.9 | 57.4 | |
| | | 220 | | 2.0 | 5.1 | 7.2 | 9.2 | 16.3 | 24.3 | 42.7 | 54.7 | |

Note: Shading is for readability purposes only.

Discharge Capacities – A8

A8 – Discharge Capacities (Kilowatts)

R-134a

| Cond Temp °C Sat Pressure bar | Evaporator Temperature (Sat Pres) bar | Discharge Temp °C | Pressure Drop bar | A8A 3/8" 9mm | A8A 5/8" 15mm | A8A 7/8" 22mm | A81 1-1/8" 28mm | A81 1-3/8" 35mm | A82 1-5/8" 42mm | A82 2-1/8" 54mm | A82 2-5/8" 66mm |
|-------------------------------------|---|----------------------|-------------------------|--------------------|---------------------|---------------------|-----------------------|-----------------------|-----------------------|-----------------------|-----------------------|
| 25°C 5.5 bar | -40°C (373 mm hg) | 60 | 0.2 | 3.9 | 10.0 | 14.1 | 18.0 | 31.8 | 47.4 | 83.4 | 106.7 |
| | | 80 | | 3.8 | 9.6 | 13.5 | 17.2 | 30.5 | 45.5 | 80.0 | 102.4 |
| | | 100 | | 3.6 | 9.2 | 13.1 | 16.6 | 29.4 | 43.9 | 77.2 | 98.8 |
| | | 60 | 0.4 | 5.5 | 14.0 | 19.9 | 25.4 | 44.8 | 66.9 | 117.4 | 150.1 |
| | | 80 | | 5.3 | 13.5 | 19.1 | 24.4 | 43.0 | 64.2 | 112.7 | 144.1 |
| | | 100 | | 5.1 | 13.0 | 18.4 | 23.5 | 41.4 | 61.9 | 108.7 | 139.0 |
| | -20°C (91.4 mm hg) | 60 | 0.2 | 4.3 | 10.8 | 15.3 | 19.5 | 34.5 | 51.5 | 90.5 | 115.8 |
| | | 80 | | 4.1 | 10.4 | 14.7 | 18.7 | 33.1 | 49.4 | 86.9 | 111.2 |
| | | 100 | | 3.9 | 10.0 | 14.2 | 18.1 | 31.9 | 47.7 | 83.8 | 107.3 |
| | | 60 | 0.4 | 5.9 | 15.2 | 21.6 | 27.6 | 48.6 | 72.6 | 127.5 | 163.0 |
| | | 80 | | 5.7 | 14.6 | 20.7 | 26.4 | 46.6 | 69.7 | 122.3 | 156.4 |
| | | 100 | | 5.5 | 14.1 | 20.0 | 25.5 | 45.0 | 67.2 | 118.0 | 150.9 |
| | 0°C (1.9) | 60 | 0.2 | 4.6 | 11.7 | 16.5 | 21.0 | 37.1 | 55.4 | 97.4 | 124.6 |
| | | 80 | | 4.4 | 11.2 | 15.8 | 20.2 | 35.6 | 53.2 | 93.5 | 119.7 |
| | | 100 | | 4.2 | 10.8 | 15.3 | 19.4 | 34.4 | 51.3 | 90.2 | 115.5 |
| | | 60 | 0.4 | 6.4 | 16.4 | 23.2 | 29.7 | 52.3 | 78.1 | 137.2 | 175.4 |
| | | 80 | | 6.1 | 15.7 | 22.3 | 28.5 | 50.2 | 75.0 | 131.7 | 168.3 |
| | | 100 | | 5.9 | 15.2 | 21.5 | 27.5 | 48.4 | 72.3 | 127.0 | 162.4 |
| 30°C 6.7 bar | -40°C (373 mm hg) | 60 | 0.2 | 4.1 | 10.3 | 14.6 | 18.6 | 32.9 | 49.0 | 86.2 | 110.4 |
| | | 80 | | 3.9 | 9.9 | 14.0 | 17.8 | 31.5 | 47.0 | 82.6 | 105.7 |
| | | 100 | | 3.7 | 9.5 | 13.5 | 17.1 | 30.3 | 45.2 | 79.6 | 101.8 |
| | | 60 | 0.4 | 5.7 | 14.5 | 20.6 | 26.3 | 46.4 | 69.3 | 121.7 | 155.6 |
| | | 80 | | 5.4 | 13.9 | 19.7 | 25.2 | 44.4 | 66.3 | 116.5 | 149.0 |
| | | 100 | | 5.2 | 13.4 | 19.0 | 24.2 | 42.8 | 63.9 | 112.2 | 143.4 |
| | -20°C (91.4 mm hg) | 60 | 0.2 | 4.4 | 11.3 | 15.9 | 20.2 | 35.8 | 53.4 | 94.0 | 120.3 |
| | | 80 | | 4.2 | 10.8 | 15.2 | 19.4 | 34.3 | 51.2 | 90.0 | 115.2 |
| | | 100 | | 4.1 | 10.4 | 14.7 | 18.7 | 33.0 | 49.3 | 86.7 | 111.0 |
| | | 60 | 0.4 | 6.2 | 15.9 | 22.5 | 28.6 | 50.5 | 75.5 | 132.6 | 169.6 |
| | | 80 | | 5.9 | 15.2 | 21.5 | 27.4 | 48.4 | 72.3 | 126.9 | 162.3 |
| | | 100 | | 5.7 | 14.6 | 20.7 | 26.4 | 46.6 | 69.6 | 122.2 | 156.3 |
| | 0°C (1.9) | 60 | 0.2 | 4.8 | 12.2 | 17.2 | 21.9 | 38.7 | 57.7 | 101.5 | 129.9 |
| | | 80 | | 4.6 | 11.6 | 16.4 | 20.9 | 37.0 | 55.3 | 97.2 | 124.4 |
| | | 100 | | 4.4 | 11.2 | 15.8 | 20.2 | 35.7 | 53.2 | 93.6 | 119.8 |
| | | 60 | 0.4 | 6.7 | 17.1 | 24.2 | 30.9 | 54.6 | 81.5 | 143.2 | 183.1 |
| | | 80 | | 6.4 | 16.4 | 23.2 | 29.6 | 52.2 | 78.0 | 137.1 | 175.3 |
| | | 100 | | 6.2 | 15.8 | 22.4 | 28.5 | 50.3 | 75.1 | 132.0 | 168.8 |
| 35°C 7.8 bar | -40°C (373 mm hg) | 60 | 0.2 | 4.2 | 10.7 | 15.0 | 19.2 | 33.9 | 50.6 | 89.0 | 113.9 |
| | | 80 | | 4.0 | 10.2 | 14.4 | 18.3 | 32.4 | 48.3 | 85.0 | 108.7 |
| | | 100 | | 3.8 | 9.8 | 13.8 | 17.6 | 31.1 | 46.4 | 81.7 | 104.5 |
| | | 60 | 0.4 | 5.9 | 15.0 | 21.2 | 27.1 | 47.8 | 71.4 | 125.5 | 160.6 |
| | | 80 | | 5.6 | 14.3 | 20.3 | 25.9 | 45.7 | 68.2 | 119.8 | 153.2 |
| | | 100 | | 5.4 | 13.8 | 19.5 | 24.9 | 43.9 | 65.5 | 115.1 | 147.3 |
| | -20°C (91.4 mm hg) | 60 | 0.2 | 4.6 | 11.7 | 16.5 | 21.0 | 37.1 | 55.4 | 97.4 | 124.7 |
| | | 80 | | 4.4 | 11.1 | 15.7 | 20.0 | 35.4 | 52.9 | 93.0 | 119.0 |
| | | 100 | | 4.2 | 10.7 | 15.1 | 19.3 | 34.1 | 50.8 | 89.4 | 114.4 |
| | | 60 | 0.4 | 6.4 | 16.4 | 23.3 | 29.7 | 52.4 | 78.2 | 137.4 | 175.8 |
| | | 80 | | 6.1 | 15.7 | 22.2 | 28.3 | 50.0 | 74.6 | 131.1 | 167.7 |
| | | 100 | | 5.9 | 15.1 | 21.3 | 27.2 | 48.0 | 71.7 | 126.0 | 161.2 |
| | 0°C (1.9) | 60 | 0.2 | 5.0 | 12.6 | 17.8 | 22.7 | 40.2 | 60.0 | 105.5 | 135.1 |
| | | 80 | | 4.7 | 12.1 | 17.0 | 21.7 | 38.4 | 57.3 | 100.8 | 129.0 |
| | | 100 | | 4.6 | 11.6 | 16.4 | 20.9 | 36.9 | 55.1 | 96.9 | 124.0 |
| | | 60 | 0.4 | 7.0 | 17.8 | 25.2 | 32.1 | 56.7 | 84.7 | 148.9 | 190.4 |
| | | 80 | | 6.7 | 17.0 | 24.1 | 30.7 | 54.2 | 80.9 | 142.1 | 181.8 |
| | | 100 | | 6.4 | 16.3 | 23.1 | 29.5 | 52.1 | 77.7 | 136.6 | 174.7 |

Note: Shading is for readability purposes only.

Discharge Capacities – A8

A8 – Discharge Capacities (Tons)

R-404A

| Cond Temp °F Sat Pressure psig | Evaporator Temperature (Sat Pres) psig | Discharge Temp °F | Pressure Drop psi | A8A 3/8" 9mm | A8A 5/8" 15mm | A8A 7/8" 22mm | A81 1-1/8" 28mm | A81 1-3/8" 35mm | A82 1-5/8" 42mm | A82 2-1/8" 54mm | A82 2-5/8" 66mm |
|--------------------------------------|--|----------------------|-------------------------|--------------------|---------------------|---------------------|-----------------------|-----------------------|-----------------------|-----------------------|-----------------------|
| 75°F 161.2 psig | -40°F (2.7) | 140 | 3 | 1.2 | 3.2 | 4.5 | 5.7 | 10.1 | 15.1 | 26.5 | 33.9 |
| | | 180 | | 1.2 | 3.0 | 4.3 | 5.4 | 9.6 | 14.3 | 25.2 | 32.3 |
| | | 220 | | 1.1 | 2.9 | 4.1 | 5.2 | 9.2 | 13.7 | 24.1 | 30.9 |
| | | 140 | 6 | 1.8 | 4.5 | 6.3 | 8.1 | 14.3 | 21.3 | 37.5 | 47.9 |
| | | 180 | | 1.7 | 4.3 | 6.0 | 7.7 | 13.6 | 20.2 | 35.6 | 45.5 |
| | | 220 | | 1.6 | 4.1 | 5.8 | 7.3 | 13.0 | 19.4 | 34.1 | 43.6 |
| | 0°F (33.5) | 140 | 3 | 1.4 | 3.6 | 5.0 | 6.4 | 11.3 | 16.9 | 29.7 | 38.0 |
| | | 180 | | 1.3 | 3.4 | 4.8 | 6.1 | 10.8 | 16.0 | 28.2 | 36.1 |
| | | 220 | | 1.3 | 3.2 | 4.6 | 5.8 | 10.3 | 15.4 | 27.0 | 34.6 |
| | | 140 | 6 | 2.0 | 5.0 | 7.1 | 9.0 | 16.0 | 23.9 | 41.9 | 53.7 |
| | | 180 | | 1.9 | 4.8 | 6.7 | 8.6 | 15.2 | 22.7 | 39.8 | 51.0 |
| | | 220 | | 1.8 | 4.6 | 6.4 | 8.2 | 14.5 | 21.7 | 38.1 | 48.8 |
| | 40°F (86.4) | 140 | 3 | 1.5 | 3.9 | 5.5 | 7.0 | 12.4 | 18.5 | 32.6 | 41.7 |
| | | 180 | | 1.5 | 3.7 | 5.2 | 6.7 | 11.8 | 17.6 | 31.0 | 39.7 |
| | | 220 | | 1.4 | 3.6 | 5.0 | 6.4 | 11.3 | 16.9 | 29.7 | 38.0 |
| | | 140 | 6 | 2.2 | 5.5 | 7.8 | 9.9 | 17.6 | 26.2 | 46.1 | 58.9 |
| | | 180 | | 2.1 | 5.2 | 7.4 | 9.4 | 16.7 | 24.9 | 43.8 | 56.0 |
| | | 220 | | 2.0 | 5.0 | 7.1 | 9.0 | 16.0 | 23.8 | 41.9 | 53.6 |
| 95°F 219.4 psig | -40°F (2.7) | 140 | 3 | 1.3 | 3.2 | 4.6 | 5.8 | 10.3 | 15.3 | 27.0 | 34.5 |
| | | 180 | | 1.2 | 3.0 | 4.3 | 5.5 | 9.7 | 14.4 | 25.4 | 32.5 |
| | | 220 | | 1.1 | 2.9 | 4.1 | 5.2 | 9.2 | 13.7 | 24.1 | 30.9 |
| | | 140 | 6 | 1.8 | 4.6 | 6.5 | 8.2 | 14.5 | 21.7 | 38.2 | 48.8 |
| | | 180 | | 1.7 | 4.3 | 6.1 | 7.7 | 13.7 | 20.4 | 35.9 | 45.9 |
| | | 220 | | 1.6 | 4.1 | 5.8 | 7.3 | 13.0 | 19.4 | 34.1 | 43.6 |
| | 0°F (33.5) | 140 | 3 | 1.5 | 3.7 | 5.2 | 6.6 | 11.7 | 17.5 | 30.8 | 39.4 |
| | | 180 | | 1.4 | 3.5 | 4.9 | 6.2 | 11.0 | 16.4 | 28.9 | 37.1 |
| | | 220 | | 1.3 | 3.3 | 4.7 | 5.9 | 10.5 | 15.6 | 27.5 | 35.2 |
| | | 140 | 6 | 2.0 | 5.2 | 7.4 | 9.4 | 16.6 | 24.7 | 43.5 | 55.7 |
| | | 180 | | 1.9 | 4.9 | 6.9 | 8.8 | 15.6 | 23.3 | 40.9 | 52.4 |
| | | 220 | | 1.8 | 4.7 | 6.6 | 8.4 | 14.8 | 22.1 | 38.9 | 49.8 |
| | 40°F (86.4) | 140 | 3 | 1.6 | 4.1 | 5.8 | 7.4 | 13.1 | 19.5 | 34.3 | 43.9 |
| | | 180 | | 1.5 | 3.9 | 5.4 | 6.9 | 12.3 | 18.3 | 32.2 | 41.3 |
| | | 220 | | 1.4 | 3.7 | 5.2 | 6.6 | 11.7 | 17.4 | 30.7 | 39.2 |
| | | 140 | 6 | 2.3 | 5.8 | 8.2 | 10.4 | 18.5 | 27.6 | 48.5 | 62.0 |
| | | 180 | | 2.1 | 5.5 | 7.7 | 9.8 | 17.4 | 25.9 | 45.6 | 58.3 |
| | | 220 | | 2.0 | 5.2 | 7.3 | 9.3 | 16.5 | 24.6 | 43.3 | 55.4 |
| 115°F 290.4 psig | -40°F (2.7) | 140 | 3 | 1.2 | 3.2 | 4.5 | 5.7 | 10.0 | 15.0 | 26.4 | 33.7 |
| | | 180 | | 1.1 | 2.9 | 4.1 | 5.2 | 9.3 | 13.8 | 24.3 | 31.1 |
| | | 220 | | 1.1 | 2.7 | 3.9 | 4.9 | 8.7 | 13.0 | 22.9 | 29.3 |
| | | 140 | 6 | 1.8 | 4.5 | 6.3 | 8.0 | 14.2 | 21.2 | 37.3 | 47.7 |
| | | 180 | | 1.6 | 4.1 | 5.8 | 7.4 | 13.1 | 19.5 | 34.4 | 44.0 |
| | | 220 | | 1.5 | 3.9 | 5.5 | 7.0 | 12.3 | 18.4 | 32.3 | 41.4 |
| | 0°F (33.5) | 140 | 3 | 1.5 | 3.7 | 5.2 | 6.7 | 11.8 | 17.6 | 30.9 | 39.6 |
| | | 180 | | 1.3 | 3.4 | 4.8 | 6.1 | 10.9 | 16.2 | 28.5 | 36.5 |
| | | 220 | | 1.3 | 3.2 | 4.5 | 5.8 | 10.2 | 15.3 | 26.9 | 34.4 |
| | | 140 | 6 | 2.1 | 5.2 | 7.4 | 9.4 | 16.7 | 24.9 | 43.8 | 56.0 |
| | | 180 | | 1.9 | 4.8 | 6.8 | 8.7 | 15.4 | 22.9 | 40.3 | 51.6 |
| | | 220 | | 1.8 | 4.5 | 6.4 | 8.2 | 14.5 | 21.6 | 38.0 | 48.6 |
| | 40°F (86.4) | 140 | 3 | 1.7 | 4.2 | 5.9 | 7.6 | 13.4 | 20.0 | 35.1 | 45.0 |
| | | 180 | | 1.5 | 3.9 | 5.5 | 7.0 | 12.4 | 18.4 | 32.4 | 41.5 |
| | | 220 | | 1.4 | 3.7 | 5.2 | 6.6 | 11.6 | 17.3 | 30.5 | 39.1 |
| | | 140 | 6 | 2.3 | 6.0 | 8.4 | 10.7 | 19.0 | 28.3 | 49.7 | 63.7 |
| | | 180 | | 2.2 | 5.5 | 7.7 | 9.9 | 17.5 | 26.1 | 45.8 | 58.7 |
| | | 220 | | 2.0 | 5.2 | 7.3 | 9.3 | 16.4 | 24.5 | 43.1 | 55.2 |

Note: Shading is for readability purposes only.

Discharge Capacities – A8

A8 – Discharge Capacities (Kilowatts)

R-404A

| Cond Temp °C Sat Pressure bar | Evaporator Temperature (Sat Pres) bar | Discharge Temp °C | Pressure Drop bar | A8A 3/8" 9mm | A8A 5/8" 15mm | A8A 7/8" 22mm | A81 1-1/8" 28mm | A81 1-3/8" 35mm | A82 1-5/8" 42mm | A82 2-1/8" 54mm | A82 2-5/8" 66mm |
|-------------------------------------|---|----------------------|-------------------------|--------------------|---------------------|---------------------|-----------------------|-----------------------|-----------------------|-----------------------|-----------------------|
| 25°C 11.2 bar | -40°C (0.3) | 60 | 0.2 | 4.3 | 10.9 | 15.4 | 19.6 | 34.7 | 51.7 | 91.0 | 116.5 |
| | | 80 | | 4.1 | 10.4 | 14.7 | 18.7 | 33.1 | 49.4 | 86.8 | 111.2 |
| | | 100 | | 3.9 | 10.0 | 14.1 | 17.9 | 31.8 | 47.4 | 83.4 | 106.8 |
| | | 60 | 0.4 | 6.0 | 15.4 | 21.7 | 27.7 | 49.0 | 73.1 | 128.5 | 164.5 |
| | | 80 | | 5.8 | 14.7 | 20.7 | 26.4 | 46.7 | 69.7 | 122.6 | 156.9 |
| | | 100 | | 5.5 | 14.1 | 19.9 | 25.4 | 44.9 | 66.9 | 117.7 | 150.6 |
| | -20°C (2.0) | 60 | 0.2 | 4.8 | 12.1 | 17.1 | 21.7 | 38.5 | 57.4 | 101.1 | 129.4 |
| | | 80 | | 4.5 | 11.6 | 16.3 | 20.8 | 36.8 | 54.8 | 96.4 | 123.5 |
| | | 100 | | 4.4 | 11.1 | 15.6 | 19.9 | 35.3 | 52.6 | 92.6 | 118.5 |
| | | 60 | 0.4 | 6.7 | 17.1 | 24.1 | 30.8 | 54.4 | 81.2 | 142.7 | 182.7 |
| | | 80 | | 6.4 | 16.3 | 23.0 | 29.4 | 51.9 | 77.4 | 136.2 | 174.2 |
| | | 100 | | 6.1 | 15.6 | 22.1 | 28.2 | 49.8 | 74.3 | 130.7 | 167.3 |
| | 0°C (4.9) | 60 | 0.2 | 5.2 | 13.2 | 18.7 | 23.8 | 42.1 | 62.8 | 110.4 | 141.4 |
| | | 80 | | 5.0 | 12.6 | 17.8 | 22.7 | 40.2 | 59.9 | 105.4 | 134.9 |
| | | 100 | | 4.8 | 12.1 | 17.1 | 21.8 | 38.6 | 57.5 | 101.2 | 129.5 |
| | | 60 | 0.4 | 7.3 | 18.7 | 26.4 | 33.6 | 59.5 | 88.7 | 156.0 | 199.6 |
| | | 80 | | 7.0 | 17.8 | 25.2 | 32.1 | 56.7 | 84.6 | 148.8 | 190.4 |
| | | 100 | | 6.7 | 17.1 | 24.2 | 30.8 | 54.4 | 81.2 | 142.8 | 182.8 |
| 30°C 13.1 bar | -40°C (0.3) | 60 | 0.2 | 4.3 | 11.0 | 15.5 | 19.8 | 35.0 | 52.2 | 91.8 | 117.5 |
| | | 80 | | 4.1 | 10.5 | 14.7 | 18.8 | 33.3 | 49.6 | 87.3 | 111.7 |
| | | 100 | | 3.9 | 10.0 | 14.1 | 18.0 | 31.9 | 47.5 | 83.6 | 107.0 |
| | | 60 | 0.4 | 6.1 | 15.5 | 21.9 | 28.0 | 49.4 | 73.8 | 129.7 | 166.0 |
| | | 80 | | 5.8 | 14.8 | 20.8 | 26.6 | 47.0 | 70.1 | 123.3 | 157.8 |
| | | 100 | | 5.5 | 14.1 | 20.0 | 25.4 | 45.0 | 67.1 | 118.0 | 151.1 |
| | -20°C (2.0) | 60 | 0.2 | 4.8 | 12.3 | 17.3 | 22.1 | 39.1 | 58.4 | 102.7 | 131.5 |
| | | 80 | | 4.6 | 11.7 | 16.5 | 21.0 | 37.2 | 55.5 | 97.6 | 125.0 |
| | | 100 | | 4.4 | 11.2 | 15.8 | 20.1 | 35.6 | 53.1 | 93.5 | 119.7 |
| | | 60 | 0.4 | 6.8 | 17.4 | 24.5 | 31.3 | 55.3 | 82.5 | 145.1 | 185.7 |
| | | 80 | | 6.5 | 16.5 | 23.3 | 29.7 | 52.6 | 78.4 | 137.9 | 176.5 |
| | | 100 | | 6.2 | 15.8 | 22.3 | 28.5 | 50.3 | 75.1 | 132.0 | 169.0 |
| | 0°C (4.9) | 60 | 0.2 | 5.3 | 13.5 | 19.1 | 24.3 | 43.0 | 64.1 | 112.9 | 144.5 |
| | | 80 | | 5.1 | 12.9 | 18.1 | 23.1 | 40.9 | 61.0 | 107.3 | 137.4 |
| | | 100 | | 4.8 | 12.3 | 17.4 | 22.1 | 39.2 | 58.4 | 102.8 | 131.5 |
| | | 60 | 0.4 | 7.5 | 19.1 | 27.0 | 34.4 | 60.8 | 90.7 | 159.5 | 204.1 |
| | | 80 | | 7.1 | 18.1 | 25.6 | 32.7 | 57.8 | 86.2 | 151.5 | 193.9 |
| | | 100 | | 6.8 | 17.4 | 24.5 | 31.3 | 55.3 | 82.5 | 145.1 | 185.7 |
| 35°C 15.1 bar | -40°C (0.3) | 60 | 0.2 | 4.3 | 11.0 | 15.6 | 19.8 | 35.1 | 52.3 | 92.1 | 117.9 |
| | | 80 | | 4.1 | 10.4 | 14.7 | 18.7 | 33.2 | 49.5 | 87.1 | 111.5 |
| | | 100 | | 3.9 | 10.0 | 14.0 | 17.9 | 31.7 | 47.3 | 83.2 | 106.5 |
| | | 60 | 0.4 | 6.1 | 15.6 | 22.0 | 28.1 | 49.6 | 74.0 | 130.2 | 166.7 |
| | | 80 | | 5.8 | 14.7 | 20.8 | 26.5 | 46.9 | 70.0 | 123.1 | 157.6 |
| | | 100 | | 5.5 | 14.1 | 19.9 | 25.3 | 44.8 | 66.8 | 117.5 | 150.4 |
| | -20°C (2.0) | 60 | 0.2 | 4.9 | 12.4 | 17.5 | 22.3 | 39.6 | 59.0 | 103.9 | 133.0 |
| | | 80 | | 4.6 | 11.8 | 16.6 | 21.1 | 37.5 | 55.8 | 98.3 | 125.8 |
| | | 100 | | 4.4 | 11.2 | 15.8 | 20.2 | 35.8 | 53.3 | 93.8 | 120.1 |
| | | 60 | 0.4 | 6.9 | 17.6 | 24.8 | 31.7 | 56.0 | 83.5 | 146.9 | 188.1 |
| | | 80 | | 6.5 | 16.6 | 23.5 | 29.9 | 52.9 | 79.0 | 138.9 | 177.8 |
| | | 100 | | 6.2 | 15.9 | 22.4 | 28.6 | 50.5 | 75.4 | 132.6 | 169.7 |
| | 0°C (4.9) | 60 | 0.2 | 5.4 | 13.8 | 19.4 | 24.7 | 43.8 | 65.3 | 114.9 | 147.1 |
| | | 80 | | 5.1 | 13.0 | 18.4 | 23.4 | 41.4 | 61.8 | 108.7 | 139.2 |
| | | 100 | | 4.9 | 12.4 | 17.5 | 22.3 | 39.6 | 59.0 | 103.8 | 132.9 |
| | | 60 | 0.4 | 7.6 | 19.5 | 27.5 | 35.0 | 61.9 | 92.4 | 162.5 | 208.0 |
| | | 80 | | 7.2 | 18.4 | 26.0 | 33.1 | 58.6 | 87.4 | 153.7 | 196.7 |
| | | 100 | | 6.9 | 17.6 | 24.8 | 31.6 | 55.9 | 83.4 | 146.7 | 187.7 |

Note: Shading is for readability purposes only.

Discharge Capacities – A8

A8 – Discharge Capacities (Tons)

R-507

| Cond Temp °F Sat Pressure psig | Evaporator Temperature (Sat Pres) psig | Discharge Temp °F | Pressure Drop psi | A8A 3/8" 9mm | A8A 5/8" 15mm | A8A 7/8" 22mm | A81 1-1/8" 28mm | A81 1-3/8" 35mm | A82 1-5/8" 42mm | A82 2-1/8" 54mm | A82 2-5/8" 66mm |
|--------------------------------------|--|----------------------|-------------------------|--------------------|---------------------|---------------------|-----------------------|-----------------------|-----------------------|-----------------------|-----------------------|
| 75°F 167.0 psig | -40°F (5.5) | 140 | 3 | 1.3 | 3.2 | 4.5 | 5.8 | 10.2 | 15.2 | 26.8 | 34.3 |
| | | 180 | | 1.2 | 3.1 | 4.3 | 5.5 | 9.7 | 14.5 | 25.5 | 32.6 |
| | | 220 | | 1.2 | 2.9 | 4.1 | 5.3 | 9.3 | 13.9 | 24.4 | 31.2 |
| | | 140 | 6 | 1.8 | 4.5 | 6.4 | 8.2 | 14.4 | 21.5 | 37.8 | 48.4 |
| | | 180 | | 1.7 | 4.3 | 6.1 | 7.8 | 13.7 | 20.5 | 36.0 | 46.0 |
| | | 220 | | 1.6 | 4.1 | 5.8 | 7.4 | 13.1 | 19.6 | 34.4 | 44.1 |
| | 0°F (35.2) | 140 | 3 | 1.4 | 3.6 | 5.0 | 6.4 | 11.4 | 16.9 | 29.8 | 38.2 |
| | | 180 | | 1.3 | 3.4 | 4.8 | 6.1 | 10.8 | 16.1 | 28.3 | 36.3 |
| | | 220 | | 1.3 | 3.3 | 4.6 | 5.8 | 10.3 | 15.4 | 27.1 | 34.8 |
| | | 140 | 6 | 2.0 | 5.0 | 7.1 | 9.1 | 16.0 | 23.9 | 42.1 | 53.9 |
| | | 180 | | 1.9 | 4.8 | 6.8 | 8.6 | 15.2 | 22.8 | 40.0 | 51.2 |
| | | 220 | | 1.8 | 4.6 | 6.5 | 8.3 | 14.6 | 21.8 | 38.3 | 49.0 |
| | 40°F (89.8) | 140 | 3 | 1.5 | 3.9 | 5.5 | 7.0 | 12.4 | 18.6 | 32.7 | 41.8 |
| | | 180 | | 1.5 | 3.7 | 5.2 | 6.7 | 11.8 | 17.6 | 31.0 | 39.7 |
| | | 220 | | 1.4 | 3.6 | 5.0 | 6.4 | 11.3 | 16.9 | 29.7 | 38.1 |
| | | 140 | 6 | 2.2 | 5.5 | 7.8 | 9.9 | 17.6 | 26.2 | 46.1 | 59.0 |
| | | 180 | | 2.1 | 5.2 | 7.4 | 9.4 | 16.7 | 24.9 | 43.8 | 56.1 |
| | | 220 | | 2.0 | 5.0 | 7.1 | 9.0 | 16.0 | 23.9 | 42.0 | 53.7 |
| 95°F 226.0 psig | -40°F (5.5) | 140 | 3 | 1.3 | 3.3 | 4.7 | 6.0 | 10.6 | 15.7 | 27.7 | 35.5 |
| | | 180 | | 1.2 | 3.1 | 4.4 | 5.6 | 9.9 | 14.8 | 26.1 | 33.4 |
| | | 220 | | 1.2 | 3.0 | 4.2 | 5.3 | 9.5 | 14.1 | 24.8 | 31.8 |
| | | 140 | 6 | 1.8 | 4.7 | 6.6 | 8.4 | 14.9 | 22.2 | 39.1 | 50.1 |
| | | 180 | | 1.7 | 4.4 | 6.2 | 7.9 | 14.0 | 20.9 | 36.8 | 47.1 |
| | | 220 | | 1.6 | 4.2 | 5.9 | 7.6 | 13.4 | 19.9 | 35.1 | 44.9 |
| | 0°F (35.2) | 140 | 3 | 1.5 | 3.7 | 5.3 | 6.7 | 11.9 | 17.8 | 31.3 | 40.1 |
| | | 180 | | 1.4 | 3.5 | 5.0 | 6.3 | 11.2 | 16.7 | 29.5 | 37.7 |
| | | 220 | | 1.3 | 3.4 | 4.7 | 6.0 | 10.7 | 15.9 | 28.1 | 35.9 |
| | | 140 | 6 | 2.1 | 5.3 | 7.5 | 9.5 | 16.9 | 25.1 | 44.2 | 56.6 |
| | | 180 | | 2.0 | 5.0 | 7.0 | 9.0 | 15.9 | 23.7 | 41.6 | 53.3 |
| | | 220 | | 1.9 | 4.7 | 6.7 | 8.5 | 15.1 | 22.5 | 39.6 | 50.7 |
| | 40°F (89.8) | 140 | 3 | 1.6 | 4.2 | 5.9 | 7.5 | 13.2 | 19.7 | 34.7 | 44.4 |
| | | 180 | | 1.5 | 3.9 | 5.5 | 7.0 | 12.4 | 18.6 | 32.7 | 41.8 |
| | | 220 | | 1.5 | 3.7 | 5.3 | 6.7 | 11.9 | 17.7 | 31.1 | 39.8 |
| | | 140 | 6 | 2.3 | 5.9 | 8.3 | 10.6 | 18.7 | 27.9 | 49.0 | 62.7 |
| | | 180 | | 2.2 | 5.5 | 7.8 | 9.9 | 17.6 | 26.2 | 46.1 | 59.0 |
| | | 220 | | 2.1 | 5.3 | 7.4 | 9.5 | 16.7 | 25.0 | 43.9 | 56.2 |
| 115°F 301.0 psig | -40°F (5.5) | 140 | 3 | 1.3 | 3.3 | 4.7 | 6.0 | 10.6 | 15.8 | 27.8 | 35.7 |
| | | 180 | | 1.2 | 3.1 | 4.4 | 5.5 | 9.8 | 14.6 | 25.8 | 33.0 |
| | | 220 | | 1.1 | 2.9 | 4.1 | 5.2 | 9.3 | 13.8 | 24.3 | 31.1 |
| | | 140 | 6 | 1.9 | 4.7 | 6.7 | 8.5 | 15.0 | 22.4 | 39.4 | 50.4 |
| | | 180 | | 1.7 | 4.4 | 6.2 | 7.8 | 13.9 | 20.7 | 36.4 | 46.6 |
| | | 220 | | 1.6 | 4.1 | 5.8 | 7.4 | 13.1 | 19.5 | 34.4 | 44.0 |
| | 0°F (35.2) | 140 | 3 | 1.5 | 3.9 | 5.4 | 6.9 | 12.3 | 18.3 | 32.2 | 41.2 |
| | | 180 | | 1.4 | 3.6 | 5.0 | 6.4 | 11.3 | 16.9 | 29.8 | 38.1 |
| | | 220 | | 1.3 | 3.4 | 4.7 | 6.0 | 10.7 | 16.0 | 28.1 | 36.0 |
| | | 140 | 6 | 2.1 | 5.5 | 7.7 | 9.8 | 17.4 | 25.9 | 45.6 | 58.3 |
| | | 180 | | 2.0 | 5.0 | 7.1 | 9.1 | 16.0 | 23.9 | 42.1 | 53.9 |
| | | 220 | | 1.9 | 4.8 | 6.7 | 8.5 | 15.1 | 22.6 | 39.7 | 50.8 |
| | 40°F (89.8) | 140 | 3 | 1.7 | 4.3 | 6.1 | 7.8 | 13.8 | 20.6 | 36.3 | 46.5 |
| | | 180 | | 1.6 | 4.0 | 5.7 | 7.2 | 12.8 | 19.1 | 33.6 | 43.0 |
| | | 220 | | 1.5 | 3.8 | 5.3 | 6.8 | 12.1 | 18.0 | 31.7 | 40.6 |
| | | 140 | 6 | 2.4 | 6.1 | 8.7 | 11.1 | 19.6 | 29.2 | 51.3 | 65.7 |
| | | 180 | | 2.2 | 5.7 | 8.0 | 10.2 | 18.1 | 27.0 | 47.5 | 60.7 |
| | | 220 | | 2.1 | 5.4 | 7.6 | 9.6 | 17.1 | 25.4 | 44.8 | 57.3 |

Note: Shading is for readability purposes only.

Discharge Capacities – A8

A8 – Discharge Capacities (Kilowatts)

R-507

| Cond Temp °C Sat Pressure bar | Evaporator Temperature (Sat Pres) bar | Discharge Temp °C | Pressure Drop bar | A8A 3/8" 9mm | A8A 5/8" 15mm | A8A 7/8" 22mm | A81 1-1/8" 28mm | A81 1-3/8" 35mm | A82 1-5/8" 42mm | A82 2-1/8" 54mm | A82 2-5/8" 66mm |
|-------------------------------------|---|----------------------|-------------------------|--------------------|---------------------|---------------------|-----------------------|-----------------------|-----------------------|-----------------------|-----------------------|
| 25°C 11.6 bar | -40°C (0.4) | 60 | 0.2 | 4.3 | 11.0 | 15.6 | 19.8 | 35.1 | 52.3 | 92.1 | 117.9 |
| | | 80 | | 4.1 | 10.5 | 14.9 | 18.9 | 33.5 | 50.0 | 87.9 | 112.6 |
| | | 100 | | 4.0 | 10.1 | 14.3 | 18.2 | 32.2 | 48.0 | 84.5 | 108.1 |
| | | 60 | 0.4 | 6.1 | 15.6 | 22.0 | 28.0 | 49.6 | 74.0 | 130.1 | 166.5 |
| | | 80 | | 5.8 | 14.9 | 21.0 | 26.8 | 47.3 | 70.6 | 124.1 | 158.8 |
| | | 100 | | 5.6 | 14.3 | 20.2 | 25.7 | 45.4 | 67.8 | 119.3 | 152.6 |
| | -20°C (2.1) | 60 | 0.2 | 4.8 | 12.2 | 17.2 | 21.9 | 38.7 | 57.8 | 101.6 | 130.1 |
| | | 80 | | 4.6 | 11.6 | 16.4 | 20.9 | 37.0 | 55.1 | 97.0 | 124.2 |
| | | 100 | | 4.4 | 11.2 | 15.8 | 20.1 | 35.5 | 53.0 | 93.2 | 119.4 |
| | | 60 | 0.4 | 6.7 | 17.2 | 24.3 | 30.9 | 54.7 | 81.7 | 143.6 | 183.7 |
| | | 80 | | 6.4 | 16.4 | 23.2 | 29.5 | 52.2 | 77.9 | 137.0 | 175.3 |
| | | 100 | | 6.2 | 15.8 | 22.3 | 28.4 | 50.2 | 74.9 | 131.6 | 168.4 |
| | 0°C (5.2) | 60 | 0.2 | 5.2 | 13.3 | 18.7 | 23.8 | 42.2 | 62.9 | 110.7 | 141.7 |
| | | 80 | | 5.0 | 12.7 | 17.9 | 22.7 | 40.3 | 60.1 | 105.7 | 135.3 |
| | | 100 | | 4.8 | 12.2 | 17.2 | 21.9 | 38.7 | 57.7 | 101.6 | 130.0 |
| | | 60 | 0.4 | 7.3 | 18.7 | 26.4 | 33.7 | 59.6 | 88.9 | 156.4 | 200.1 |
| | | 80 | | 7.0 | 17.9 | 25.2 | 32.2 | 56.9 | 84.9 | 149.2 | 191.0 |
| | | 100 | | 6.7 | 17.2 | 24.2 | 30.9 | 54.6 | 81.5 | 143.4 | 183.4 |
| 30°C 13.5 bar | -40°C (0.4) | 60 | 0.2 | 4.4 | 11.2 | 15.8 | 20.1 | 35.7 | 53.2 | 93.6 | 119.8 |
| | | 80 | | 4.2 | 10.7 | 15.0 | 19.2 | 33.9 | 50.6 | 89.0 | 114.0 |
| | | 100 | | 4.0 | 10.2 | 14.4 | 18.4 | 32.5 | 48.5 | 85.3 | 109.3 |
| | | 60 | 0.4 | 6.2 | 15.8 | 22.4 | 28.5 | 50.4 | 75.2 | 132.3 | 169.3 |
| | | 80 | | 5.9 | 15.1 | 21.3 | 27.1 | 47.9 | 71.5 | 125.7 | 160.9 |
| | | 100 | | 5.7 | 14.4 | 20.4 | 26.0 | 45.9 | 68.5 | 120.5 | 154.2 |
| | -20°C (2.1) | 60 | 0.2 | 4.9 | 12.4 | 17.6 | 22.4 | 39.6 | 59.1 | 103.9 | 133.0 |
| | | 80 | | 4.7 | 11.8 | 16.7 | 21.3 | 37.7 | 56.2 | 98.8 | 126.5 |
| | | 100 | | 4.5 | 11.4 | 16.0 | 20.4 | 36.1 | 53.8 | 94.8 | 121.3 |
| | | 60 | 0.4 | 6.9 | 17.6 | 24.8 | 31.6 | 56.0 | 83.5 | 146.9 | 187.9 |
| | | 80 | | 6.6 | 16.7 | 23.6 | 30.1 | 53.2 | 79.4 | 139.6 | 178.7 |
| | | 100 | | 6.3 | 16.0 | 22.6 | 28.8 | 51.0 | 76.1 | 133.8 | 171.3 |
| | 0°C (5.2) | 60 | 0.2 | 5.4 | 13.6 | 19.2 | 24.5 | 43.3 | 64.6 | 113.7 | 145.6 |
| | | 80 | | 5.1 | 13.0 | 18.3 | 23.3 | 41.2 | 61.5 | 108.2 | 138.5 |
| | | 100 | | 4.9 | 12.4 | 17.5 | 22.3 | 39.5 | 58.9 | 103.7 | 132.8 |
| | | 60 | 0.4 | 7.6 | 19.2 | 27.2 | 34.6 | 61.3 | 91.4 | 160.7 | 205.7 |
| | | 80 | | 7.2 | 18.3 | 25.8 | 32.9 | 58.2 | 86.9 | 152.8 | 195.6 |
| | | 100 | | 6.9 | 17.5 | 24.8 | 31.6 | 55.8 | 83.3 | 146.5 | 187.4 |
| 35°C 15.6 bar | -40°C (0.4) | 60 | 0.2 | 4.5 | 11.3 | 16.0 | 20.4 | 36.1 | 53.8 | 94.6 | 121.1 |
| | | 80 | | 4.2 | 10.7 | 15.1 | 19.3 | 34.1 | 50.9 | 89.6 | 114.7 |
| | | 100 | | 4.0 | 10.3 | 14.5 | 18.4 | 32.6 | 48.7 | 85.6 | 109.6 |
| | | 60 | 0.4 | 6.3 | 16.0 | 22.6 | 28.8 | 51.0 | 76.0 | 133.7 | 171.1 |
| | | 80 | | 6.0 | 15.1 | 21.4 | 27.3 | 48.2 | 71.9 | 126.5 | 161.9 |
| | | 100 | | 5.7 | 14.5 | 20.4 | 26.0 | 46.1 | 68.7 | 120.9 | 154.8 |
| | -20°C (2.1) | 60 | 0.2 | 5.0 | 12.7 | 17.9 | 22.8 | 40.3 | 60.1 | 105.8 | 135.5 |
| | | 80 | | 4.7 | 12.0 | 16.9 | 21.5 | 38.2 | 56.9 | 100.2 | 128.2 |
| | | 100 | | 4.5 | 11.5 | 16.2 | 20.6 | 36.5 | 54.4 | 95.8 | 122.6 |
| | | 60 | 0.4 | 7.0 | 17.9 | 25.3 | 32.2 | 57.0 | 85.0 | 149.5 | 191.4 |
| | | 80 | | 6.7 | 16.9 | 23.9 | 30.5 | 53.9 | 80.4 | 141.5 | 181.1 |
| | | 100 | | 6.4 | 16.2 | 22.9 | 29.1 | 51.5 | 76.9 | 135.2 | 173.1 |
| | 0°C (5.2) | 60 | 0.2 | 5.5 | 13.9 | 19.7 | 25.0 | 44.4 | 66.2 | 116.4 | 149.1 |
| | | 80 | | 5.2 | 13.2 | 18.6 | 23.7 | 42.0 | 62.6 | 110.2 | 141.1 |
| | | 100 | | 5.0 | 12.6 | 17.8 | 22.7 | 40.2 | 59.9 | 105.4 | 134.9 |
| | | 60 | 0.4 | 7.7 | 19.7 | 27.8 | 35.4 | 62.7 | 93.5 | 164.5 | 210.6 |
| | | 80 | | 7.3 | 18.6 | 26.3 | 33.5 | 59.3 | 88.5 | 155.7 | 199.3 |
| | | 100 | | 7.0 | 17.8 | 25.2 | 32.1 | 56.7 | 84.6 | 148.8 | 190.5 |

Note: Shading is for readability purposes only.

Discharge Capacities – CK4A

CK4A – Discharge Capacities (Tons)

R-22

| Cond Temp °F Sat Pressure psig | Evaporator Temperature (Sat Pres) psig | Discharge Temp °F | Pressure Drop psi | CK4A 1/2" 13mm | CK4A 3/4" 20mm | CK4A 1" 25mm | CK4A 1-1/4" 32mm | CK4A 2" 50mm | CK4A 2-1/2" 65mm | CK4A 3" 75mm | CK4A 4" 100mm | |
|--------------------------------------|--|----------------------|-------------------------|----------------------|----------------------|--------------------|------------------------|--------------------|------------------------|--------------------|---------------------|-------|
| 75°F 132.0 psig | -40°F (0.5) | 140 | 0.75 | 1.7 | 3.5 | 6.4 | 9.4 | 22.8 | 34.7 | 55.5 | 104.0 | |
| | | 180 | | 1.6 | 3.4 | 6.2 | 9.0 | 21.8 | 33.1 | 53.0 | 99.4 | |
| | | 220 | | 1.5 | 3.2 | 5.9 | 8.6 | 20.9 | 31.9 | 51.0 | 95.6 | |
| | | 140 | 3 | 3.4 | 7.0 | 12.8 | 18.8 | 45.4 | 69.1 | 110.6 | 207.4 | |
| | | 180 | | 3.2 | 6.7 | 12.3 | 17.9 | 43.4 | 66.0 | 105.7 | 198.1 | |
| | | 220 | | 3.1 | 6.4 | 11.8 | 17.2 | 41.7 | 63.5 | 101.5 | 190.4 | |
| | 0°F (24.0) | 140 | 0.75 | 1.8 | 3.7 | 6.8 | 10.0 | 24.1 | 36.7 | 58.8 | 110.2 | |
| | | 180 | | 1.7 | 3.6 | 6.5 | 9.5 | 23.1 | 35.1 | 56.2 | 105.3 | |
| | | 220 | | 1.6 | 3.4 | 6.3 | 9.2 | 22.2 | 33.8 | 54.0 | 101.3 | |
| | | 140 | 3 | 3.6 | 7.4 | 13.6 | 19.9 | 48.1 | 73.2 | 117.2 | 219.7 | |
| | | 180 | | 3.4 | 7.1 | 13.0 | 19.0 | 46.0 | 70.0 | 111.9 | 209.9 | |
| | | 220 | | 3.3 | 6.8 | 12.5 | 18.3 | 44.2 | 67.2 | 107.6 | 201.7 | |
| | 40°F (68.5) | 140 | 0.75 | 1.9 | 3.9 | 7.2 | 10.5 | 25.4 | 38.6 | 61.7 | 115.7 | |
| | | 180 | | 1.8 | 3.7 | 6.8 | 10.0 | 24.2 | 36.9 | 59.0 | 110.6 | |
| | | 220 | | 1.7 | 3.6 | 6.6 | 9.6 | 23.3 | 35.4 | 56.7 | 106.3 | |
| | | 140 | 3 | 3.7 | 7.8 | 14.3 | 20.9 | 50.5 | 76.9 | 123.0 | 230.7 | |
| | | 180 | | 3.6 | 7.5 | 13.6 | 19.9 | 48.3 | 73.5 | 117.5 | 220.4 | |
| | | 220 | | 3.4 | 7.2 | 13.1 | 19.2 | 46.4 | 70.6 | 113.0 | 211.8 | |
| | 95°F 182.0 psig | -40°F (0.5) | 140 | 0.75 | 1.8 | 3.8 | 7.0 | 10.2 | 24.8 | 37.7 | 60.4 | 113.2 |
| | | | 180 | | 1.7 | 3.6 | 6.7 | 9.7 | 23.5 | 35.8 | 57.3 | 107.5 |
| | | | 220 | | 1.7 | 3.5 | 6.4 | 9.3 | 22.5 | 34.3 | 54.9 | 102.9 |
| | | | 140 | 3 | 3.7 | 7.6 | 14.0 | 20.4 | 49.5 | 75.3 | 120.4 | 225.8 |
| | | | 180 | | 3.5 | 7.2 | 13.3 | 19.4 | 46.9 | 71.4 | 114.3 | 214.3 |
| | | | 220 | | 3.3 | 6.9 | 12.7 | 18.6 | 44.9 | 68.4 | 109.4 | 205.1 |
| 0°F (24.0) | | 140 | 0.75 | 2.0 | 4.1 | 7.5 | 10.9 | 26.4 | 40.2 | 64.3 | 120.5 | |
| | | 180 | | 1.9 | 3.9 | 7.1 | 10.4 | 25.1 | 38.1 | 61.0 | 114.4 | |
| | | 220 | | 1.8 | 3.7 | 6.8 | 9.9 | 24.0 | 36.5 | 58.4 | 109.5 | |
| | | 140 | 3 | 3.9 | 8.1 | 14.9 | 21.8 | 52.7 | 80.2 | 128.3 | 240.5 | |
| | | 180 | | 3.7 | 7.7 | 14.1 | 20.7 | 50.0 | 76.1 | 121.7 | 228.2 | |
| | | 220 | | 3.5 | 7.4 | 13.5 | 19.8 | 47.8 | 72.8 | 116.5 | 218.4 | |
| 40°F (68.5) | | 140 | 0.75 | 2.1 | 4.3 | 7.9 | 11.5 | 27.8 | 42.4 | 67.8 | 127.1 | |
| | | 180 | | 2.0 | 4.1 | 7.5 | 10.9 | 26.4 | 40.2 | 64.3 | 120.6 | |
| | | 220 | | 1.9 | 3.9 | 7.1 | 10.4 | 25.3 | 38.5 | 61.6 | 115.5 | |
| | | 140 | 3 | 4.1 | 8.6 | 15.7 | 22.9 | 55.5 | 84.5 | 135.2 | 253.5 | |
| | | 180 | | 3.9 | 8.1 | 14.9 | 21.8 | 52.7 | 80.2 | 128.3 | 240.6 | |
| | | 220 | | 3.7 | 7.8 | 14.3 | 20.8 | 50.4 | 76.7 | 122.8 | 230.2 | |
| 115°F 243.0 psig | | -40°F (0.5) | 140 | 0.75 | 2.0 | 4.1 | 7.5 | 11.0 | 26.7 | 40.6 | 64.9 | 121.7 |
| | | | 180 | | 1.9 | 3.9 | 7.1 | 10.3 | 25.0 | 38.1 | 61.0 | 114.3 |
| | | | 220 | | 1.8 | 3.7 | 6.7 | 9.8 | 23.8 | 36.2 | 58.0 | 108.7 |
| | | | 140 | 3 | 3.9 | 8.2 | 15.0 | 22.0 | 53.3 | 81.0 | 129.7 | 243.1 |
| | | | 180 | | 3.7 | 7.7 | 14.1 | 20.6 | 50.0 | 76.1 | 121.7 | 228.2 |
| | | | 220 | | 3.5 | 7.3 | 13.4 | 19.6 | 47.5 | 72.3 | 115.7 | 216.9 |
| | 0°F (24.0) | 140 | 0.75 | 2.1 | 4.4 | 8.1 | 11.8 | 28.6 | 43.5 | 69.6 | 130.5 | |
| | | 180 | | 2.0 | 4.1 | 7.6 | 11.1 | 26.8 | 40.8 | 65.3 | 122.5 | |
| | | 220 | | 1.9 | 3.9 | 7.2 | 10.5 | 25.5 | 38.8 | 62.1 | 116.5 | |
| | | 140 | 3 | 4.2 | 8.8 | 16.1 | 23.6 | 57.1 | 86.8 | 138.9 | 260.5 | |
| | | 180 | | 4.0 | 8.3 | 15.1 | 22.1 | 53.6 | 81.5 | 130.4 | 244.5 | |
| | | 220 | | 3.8 | 7.9 | 14.4 | 21.0 | 50.9 | 77.5 | 124.0 | 232.5 | |
| | 40°F (68.5) | 140 | 0.75 | 2.2 | 4.7 | 8.6 | 12.5 | 30.3 | 46.1 | 73.7 | 138.2 | |
| | | 180 | | 2.1 | 4.4 | 8.0 | 11.7 | 28.4 | 43.2 | 69.2 | 129.7 | |
| | | 220 | | 2.0 | 4.2 | 7.6 | 11.2 | 27.0 | 41.1 | 65.8 | 123.4 | |
| | | 140 | 3 | 4.5 | 9.3 | 17.1 | 25.0 | 60.4 | 92.0 | 147.2 | 276.0 | |
| | | 180 | | 4.2 | 8.8 | 16.0 | 23.4 | 56.7 | 86.3 | 138.1 | 259.0 | |
| | | 220 | | 4.0 | 8.3 | 15.2 | 22.3 | 53.9 | 82.1 | 131.3 | 246.3 | |

Note: Shading is for readability purposes only.

Discharge Capacities – CK4A

CK4A – Discharge Capacities (Kilowatts)

R-22

| Cond Temp °C Sat Pressure bar | Evaporator Temperature (Sat Pres) bar | Discharge Temp °C | Pressure Drop bar | CK4A 1/2" 13mm | CK4A 3/4" 20mm | CK4A 1" 25mm | CK4A 1-1/4" 32mm | CK4A 2" 50mm | CK4A 2-1/2" 65mm | CK4A 3" 75mm | CK4A 4" 100mm |
|-------------------------------------|---|----------------------|-------------------------|----------------------|----------------------|--------------------|------------------------|--------------------|------------------------|--------------------|---------------------|
| 25°C 9.2 bar | -40°C (0.0) | 60 | 0.05 | 5.8 | 12.2 | 22.3 | 32.7 | 79.1 | 120.3 | 192.5 | 360.9 |
| | | 80 | | 5.6 | 11.7 | 21.4 | 31.3 | 75.8 | 115.4 | 184.7 | 346.2 |
| | | 100 | | 5.4 | 11.3 | 20.7 | 30.2 | 73.1 | 111.3 | 178.0 | 333.8 |
| | | 60 | 0.21 | 11.9 | 24.9 | 45.6 | 66.7 | 161.4 | 245.6 | 392.9 | 736.7 |
| | | 80 | | 11.4 | 23.9 | 43.7 | 63.9 | 154.8 | 235.5 | 376.8 | 706.5 |
| | | 100 | | 11.0 | 23.0 | 42.2 | 61.6 | 149.2 | 227.0 | 363.2 | 681.0 |
| | -20°C (1.4) | 60 | 0.05 | 6.2 | 12.9 | 23.6 | 34.4 | 83.4 | 126.9 | 203.0 | 380.6 |
| | | 80 | | 5.9 | 12.3 | 22.6 | 33.0 | 80.0 | 121.7 | 194.7 | 365.1 |
| | | 100 | | 5.7 | 11.9 | 21.8 | 31.8 | 77.1 | 117.3 | 187.7 | 351.9 |
| | | 60 | 0.21 | 12.6 | 26.3 | 48.1 | 70.3 | 170.2 | 258.9 | 414.3 | 776.8 |
| | | 80 | | 12.1 | 25.2 | 46.1 | 67.4 | 163.2 | 248.3 | 397.3 | 745.0 |
| | | 100 | | 11.6 | 24.3 | 44.5 | 65.0 | 157.3 | 239.3 | 383.0 | 718.0 |
| | 0°C (4.0) | 60 | 0.05 | 6.4 | 13.5 | 24.7 | 36.0 | 87.3 | 132.8 | 212.5 | 398.3 |
| | | 80 | | 6.2 | 12.9 | 23.7 | 34.6 | 83.7 | 127.4 | 203.8 | 382.1 |
| | | 100 | | 6.0 | 12.5 | 22.8 | 33.3 | 80.7 | 122.8 | 196.5 | 368.4 |
| | | 60 | 0.21 | 13.2 | 27.5 | 50.3 | 73.6 | 178.1 | 271.0 | 433.6 | 813.0 |
| | | 80 | | 12.6 | 26.4 | 48.3 | 70.5 | 170.8 | 259.9 | 415.8 | 779.7 |
| | | 100 | | 12.2 | 25.4 | 46.5 | 68.0 | 164.6 | 250.5 | 400.8 | 751.5 |
| 30°C 10.9 bar | -40°C (0.0) | 60 | 0.05 | 6.1 | 12.7 | 23.2 | 33.9 | 82.2 | 125.0 | 200.1 | 375.1 |
| | | 80 | | 5.8 | 12.1 | 22.2 | 32.5 | 78.6 | 119.6 | 191.4 | 358.9 |
| | | 100 | | 5.6 | 11.7 | 21.4 | 31.3 | 75.7 | 115.1 | 184.2 | 345.4 |
| | | 60 | 0.21 | 12.4 | 25.9 | 47.4 | 69.3 | 167.8 | 255.4 | 408.7 | 766.2 |
| | | 80 | | 11.9 | 24.8 | 45.4 | 66.3 | 160.6 | 244.3 | 390.9 | 733.0 |
| | | 100 | | 11.4 | 23.8 | 43.7 | 63.8 | 154.5 | 235.1 | 376.2 | 705.3 |
| | -20°C (1.4) | 60 | 0.05 | 6.4 | 13.4 | 24.5 | 35.9 | 86.8 | 132.1 | 211.4 | 396.4 |
| | | 80 | | 6.1 | 12.8 | 23.5 | 34.3 | 83.1 | 126.4 | 202.3 | 379.2 |
| | | 100 | | 5.9 | 12.3 | 22.6 | 33.0 | 80.0 | 121.7 | 194.7 | 365.0 |
| | | 60 | 0.21 | 13.1 | 27.4 | 50.1 | 73.2 | 177.3 | 269.9 | 431.8 | 809.6 |
| | | 80 | | 12.5 | 26.2 | 47.9 | 70.1 | 169.6 | 258.1 | 413.0 | 774.4 |
| | | 100 | | 12.1 | 25.2 | 46.1 | 67.4 | 163.2 | 248.4 | 397.4 | 745.2 |
| | 0°C (4.0) | 60 | 0.05 | 6.7 | 14.0 | 25.7 | 37.6 | 91.0 | 138.5 | 221.6 | 415.5 |
| | | 80 | | 6.4 | 13.4 | 24.6 | 36.0 | 87.1 | 132.5 | 212.0 | 397.6 |
| | | 100 | | 6.2 | 12.9 | 23.7 | 34.6 | 83.8 | 127.5 | 204.1 | 382.6 |
| | | 60 | 0.21 | 13.7 | 28.7 | 52.5 | 76.8 | 185.9 | 282.9 | 452.6 | 848.7 |
| | | 80 | | 13.1 | 27.4 | 50.3 | 73.5 | 177.8 | 270.6 | 433.0 | 811.9 |
| | | 100 | | 12.6 | 26.4 | 48.4 | 70.7 | 171.1 | 260.4 | 416.6 | 781.2 |
| 35°C 12.6 bar | -40°C (0.0) | 60 | 0.05 | 6.3 | 13.1 | 24.1 | 35.2 | 85.2 | 129.6 | 207.4 | 388.9 |
| | | 80 | | 6.0 | 12.5 | 23.0 | 33.6 | 81.3 | 123.7 | 197.8 | 371.0 |
| | | 100 | | 5.8 | 12.0 | 22.1 | 32.2 | 78.0 | 118.8 | 190.0 | 356.3 |
| | | 60 | 0.21 | 12.9 | 26.9 | 49.2 | 71.9 | 174.1 | 265.0 | 424.0 | 795.0 |
| | | 80 | | 12.3 | 25.6 | 46.9 | 68.6 | 166.1 | 252.7 | 404.3 | 758.1 |
| | | 100 | | 11.8 | 24.6 | 45.1 | 65.9 | 159.5 | 242.7 | 388.3 | 728.0 |
| | -20°C (1.4) | 60 | 0.05 | 6.7 | 13.9 | 25.5 | 37.3 | 90.2 | 137.3 | 219.6 | 411.8 |
| | | 80 | | 6.4 | 13.3 | 24.3 | 35.5 | 86.0 | 130.9 | 209.5 | 392.8 |
| | | 100 | | 6.1 | 12.8 | 23.4 | 34.1 | 82.6 | 125.8 | 201.2 | 377.3 |
| | | 60 | 0.21 | 13.6 | 28.5 | 52.1 | 76.2 | 184.4 | 280.6 | 449.0 | 841.8 |
| | | 80 | | 13.0 | 27.1 | 49.7 | 72.6 | 175.8 | 267.6 | 428.1 | 802.8 |
| | | 100 | | 12.5 | 26.1 | 47.7 | 69.7 | 168.9 | 257.0 | 411.1 | 770.9 |
| | 0°C (4.0) | 60 | 0.05 | 7.0 | 14.6 | 26.8 | 39.1 | 94.7 | 144.2 | 230.7 | 432.5 |
| | | 80 | | 6.7 | 13.9 | 25.5 | 37.3 | 90.4 | 137.5 | 220.0 | 412.5 |
| | | 100 | | 6.4 | 13.4 | 24.5 | 35.8 | 86.8 | 132.1 | 211.3 | 396.2 |
| | | 60 | 0.21 | 14.3 | 29.9 | 54.7 | 80.0 | 193.7 | 294.7 | 471.5 | 884.1 |
| | | 80 | | 13.6 | 28.5 | 52.2 | 76.3 | 184.7 | 281.0 | 449.6 | 843.1 |
| | | 100 | | 13.1 | 27.4 | 50.1 | 73.2 | 177.3 | 269.9 | 431.8 | 809.6 |

Note: Shading is for readability purposes only.

Discharge Capacities – CK4A

CK4A – Discharge Capacities (Tons)

R-134a

| Cond Temp °F Sat Pressure psig | Evaporator Temperature (Sat Pres) psig | Discharge Temp °F | Pressure Drop psi | CK4A 1/2" 13mm | CK4A 3/4" 20mm | CK4A 1" 25mm | CK4A 1-1/4" 32mm | CK4A 2" 50mm | CK4A 2-1/2" 65mm | CK4A 3" 75mm | CK4A 4" 100mm |
|--------------------------------------|--|----------------------|-------------------------|----------------------|----------------------|--------------------|------------------------|--------------------|------------------------|--------------------|---------------------|
| 75°F 78.6 psig | -40°F (14.7 in hg) | 140 | 0.75 | 1.3 | 2.7 | 4.9 | 7.2 | 17.5 | 26.6 | 42.6 | 79.9 |
| | | 180 | | 1.2 | 2.6 | 4.7 | 6.9 | 16.7 | 25.5 | 40.8 | 76.5 |
| | | 220 | | 1.2 | 2.5 | 4.6 | 6.7 | 16.1 | 24.5 | 39.2 | 73.6 |
| | | 140 | 3 | 2.6 | 5.4 | 9.8 | 14.4 | 34.8 | 52.9 | 84.6 | 158.7 |
| | | 180 | | 2.5 | 5.1 | 9.4 | 13.7 | 33.2 | 50.6 | 80.9 | 151.8 |
| | | 220 | | 2.4 | 4.9 | 9.0 | 13.2 | 32.0 | 48.7 | 77.9 | 146.0 |
| | 0°F (6.5) | 140 | 0.75 | 1.4 | 3.0 | 5.4 | 7.9 | 19.1 | 29.1 | 46.6 | 87.4 |
| | | 180 | | 1.4 | 2.8 | 5.2 | 7.6 | 18.3 | 27.9 | 44.6 | 83.6 |
| | | 220 | | 1.3 | 2.7 | 5.0 | 7.3 | 17.6 | 26.8 | 42.9 | 80.5 |
| | | 140 | 3 | 2.8 | 5.9 | 10.7 | 15.7 | 38.0 | 57.8 | 92.5 | 173.5 |
| | | 180 | | 2.7 | 5.6 | 10.3 | 15.0 | 36.4 | 55.3 | 88.5 | 165.9 |
| | | 220 | | 2.6 | 5.4 | 9.9 | 14.4 | 35.0 | 53.2 | 85.1 | 159.6 |
| | 40°F (35.1) | 140 | 0.75 | 1.5 | 3.2 | 5.9 | 8.6 | 20.7 | 31.5 | 50.4 | 94.6 |
| | | 180 | | 1.5 | 3.1 | 5.6 | 8.2 | 19.8 | 30.2 | 48.3 | 90.5 |
| | | 220 | | 1.4 | 2.9 | 5.4 | 7.9 | 19.1 | 29.0 | 46.4 | 87.1 |
| | | 140 | 3 | 3.0 | 6.3 | 11.6 | 17.0 | 41.1 | 62.6 | 100.1 | 187.8 |
| | | 180 | | 2.9 | 6.1 | 11.1 | 16.2 | 39.3 | 59.9 | 95.8 | 179.6 |
| | | 220 | | 2.8 | 5.8 | 10.7 | 15.6 | 37.8 | 57.6 | 92.1 | 172.8 |
| 95°F 113.8 psig | -40°F (14.7 in hg) | 140 | 0.75 | 1.4 | 2.9 | 5.3 | 7.8 | 18.8 | 28.7 | 45.9 | 86.0 |
| | | 180 | | 1.3 | 2.8 | 5.1 | 7.4 | 17.9 | 27.3 | 43.6 | 81.8 |
| | | 220 | | 1.3 | 2.7 | 4.9 | 7.1 | 17.2 | 26.1 | 41.8 | 78.4 |
| | | 140 | 3 | 2.8 | 5.8 | 10.6 | 15.5 | 37.5 | 57.1 | 91.3 | 171.2 |
| | | 180 | | 2.6 | 5.5 | 10.1 | 14.7 | 35.6 | 54.2 | 86.8 | 162.7 |
| | | 220 | | 2.5 | 5.3 | 9.7 | 14.1 | 34.2 | 52.0 | 83.2 | 155.9 |
| | 0°F (6.5) | 140 | 0.75 | 1.5 | 3.2 | 5.9 | 8.6 | 20.8 | 31.7 | 50.7 | 95.0 |
| | | 180 | | 1.5 | 3.1 | 5.6 | 8.2 | 19.8 | 30.1 | 48.2 | 90.3 |
| | | 220 | | 1.4 | 2.9 | 5.4 | 7.8 | 19.0 | 28.9 | 46.2 | 86.6 |
| | | 140 | 3 | 3.1 | 6.4 | 11.7 | 17.1 | 41.4 | 63.0 | 100.8 | 189.1 |
| | | 180 | | 2.9 | 6.1 | 11.1 | 16.3 | 39.4 | 59.9 | 95.8 | 179.7 |
| | | 220 | | 2.8 | 5.8 | 10.7 | 15.6 | 37.7 | 57.4 | 91.8 | 172.2 |
| | 40°F (35.1) | 140 | 0.75 | 1.7 | 3.5 | 6.4 | 9.4 | 22.7 | 34.6 | 55.3 | 103.7 |
| | | 180 | | 1.6 | 3.3 | 6.1 | 8.9 | 21.6 | 32.9 | 52.6 | 98.6 |
| | | 220 | | 1.5 | 3.2 | 5.8 | 8.5 | 20.7 | 31.5 | 50.4 | 94.5 |
| | | 140 | 3 | 3.3 | 7.0 | 12.8 | 18.7 | 45.2 | 68.8 | 110.0 | 206.3 |
| | | 180 | | 3.2 | 6.6 | 12.1 | 17.7 | 42.9 | 65.3 | 104.6 | 196.0 |
| | | 220 | | 3.0 | 6.4 | 11.6 | 17.0 | 41.1 | 62.6 | 100.2 | 187.8 |
| 115°F 158.4 psig | -40°F (14.7 in hg) | 140 | 0.75 | 1.5 | 3.1 | 5.6 | 8.2 | 19.9 | 30.3 | 48.4 | 90.8 |
| | | 180 | | 1.4 | 2.9 | 5.3 | 7.7 | 18.7 | 28.5 | 45.6 | 85.4 |
| | | 220 | | 1.3 | 2.8 | 5.0 | 7.4 | 17.8 | 27.1 | 43.4 | 81.4 |
| | | 140 | 3 | 2.9 | 6.1 | 11.2 | 16.4 | 39.7 | 60.3 | 96.5 | 181.0 |
| | | 180 | | 2.8 | 5.8 | 10.5 | 15.4 | 37.3 | 56.7 | 90.8 | 170.2 |
| | | 220 | | 2.6 | 5.5 | 10.0 | 14.7 | 35.5 | 54.0 | 86.5 | 162.1 |
| | 0°F (6.5) | 140 | 0.75 | 1.6 | 3.4 | 6.3 | 9.2 | 22.2 | 33.9 | 54.2 | 101.6 |
| | | 180 | | 1.5 | 3.2 | 5.9 | 8.6 | 20.9 | 31.8 | 51.0 | 95.5 |
| | | 220 | | 1.5 | 3.1 | 5.6 | 8.2 | 19.9 | 30.3 | 48.5 | 91.0 |
| | | 140 | 3 | 3.3 | 6.8 | 12.5 | 18.3 | 44.4 | 67.5 | 108.0 | 202.5 |
| | | 180 | | 3.1 | 6.4 | 11.8 | 17.2 | 41.7 | 63.5 | 101.5 | 190.4 |
| | | 220 | | 2.9 | 6.1 | 11.2 | 16.4 | 39.7 | 60.4 | 96.7 | 181.3 |
| | 40°F (35.1) | 140 | 0.75 | 1.8 | 3.8 | 6.9 | 10.1 | 24.5 | 37.3 | 59.7 | 111.9 |
| | | 180 | | 1.7 | 3.6 | 6.5 | 9.5 | 23.1 | 35.1 | 56.2 | 105.3 |
| | | 220 | | 1.6 | 3.4 | 6.2 | 9.1 | 22.0 | 33.4 | 53.5 | 100.3 |
| | | 140 | 3 | 3.6 | 7.5 | 13.8 | 20.2 | 48.9 | 74.4 | 119.0 | 223.1 |
| | | 180 | | 3.4 | 7.1 | 13.0 | 19.0 | 46.0 | 69.9 | 111.9 | 209.8 |
| | | 220 | | 3.2 | 6.8 | 12.4 | 18.1 | 43.8 | 66.6 | 106.6 | 199.8 |

Note: Shading is for readability purposes only.

Discharge Capacities – CK4A

CK4A – Discharge Capacities (Kilowatts)

R-134a

| Cond Temp °C Sat Pressure bar | Evaporator Temperature (Sat Pres) bar | Discharge Temp °C | Pressure Drop bar | CK4A 1/2" 13mm | CK4A 3/4" 20mm | CK4A 1" 25mm | CK4A 1-1/4" 32mm | CK4A 2" 50mm | CK4A 2-1/2" 65mm | CK4A 3" 75mm | CK4A 4" 100mm |
|-------------------------------------|---|----------------------|-------------------------|----------------------|----------------------|--------------------|------------------------|--------------------|------------------------|--------------------|---------------------|
| 25°C 5.5 bar | -40°C (373 mm hg) | 60 | 0.05 | 4.5 | 9.3 | 17.1 | 25.0 | 60.6 | 92.2 | 147.4 | 276.5 |
| | | 80 | | 4.3 | 9.0 | 16.4 | 24.0 | 58.2 | 88.5 | 141.6 | 265.5 |
| | | 100 | | 4.1 | 8.7 | 15.9 | 23.2 | 56.1 | 85.4 | 136.6 | 256.2 |
| | | 60 | 0.21 | 9.1 | 19.0 | 34.8 | 50.9 | 123.2 | 187.5 | 300.1 | 562.6 |
| | | 80 | | 8.7 | 18.3 | 33.4 | 48.9 | 118.3 | 180.0 | 288.1 | 540.1 |
| | | 100 | | 8.4 | 17.6 | 32.3 | 47.1 | 114.1 | 173.7 | 277.9 | 521.1 |
| | -20°C (91.4 mm hg) | 60 | 0.05 | 4.9 | 10.1 | 18.6 | 27.2 | 65.7 | 100.0 | 160.1 | 300.1 |
| | | 80 | | 4.7 | 9.7 | 17.8 | 26.1 | 63.1 | 96.1 | 153.7 | 288.2 |
| | | 100 | | 4.5 | 9.4 | 17.2 | 25.2 | 60.9 | 92.7 | 148.3 | 278.1 |
| | | 60 | 0.21 | 9.9 | 20.7 | 37.8 | 55.3 | 133.8 | 203.6 | 325.8 | 610.8 |
| | | 80 | | 9.5 | 19.8 | 36.3 | 53.1 | 128.4 | 195.5 | 312.7 | 586.4 |
| | | 100 | | 9.2 | 19.1 | 35.0 | 51.2 | 123.9 | 188.6 | 301.7 | 565.7 |
| | 0°C (1.9) | 60 | 0.05 | 5.2 | 10.9 | 20.0 | 29.2 | 70.8 | 107.7 | 172.3 | 323.0 |
| | | 80 | | 5.0 | 10.5 | 19.2 | 28.1 | 67.9 | 103.4 | 165.4 | 310.2 |
| | | 100 | | 4.8 | 10.1 | 18.5 | 27.1 | 65.6 | 99.8 | 159.6 | 299.3 |
| | | 60 | 0.21 | 10.6 | 22.2 | 40.7 | 59.5 | 144.0 | 219.1 | 350.6 | 657.4 |
| | | 80 | | 10.2 | 21.3 | 39.1 | 57.1 | 138.2 | 210.4 | 336.6 | 631.1 |
| | | 100 | | 9.9 | 20.6 | 37.7 | 55.1 | 133.4 | 203.0 | 324.7 | 608.9 |
| 30°C 6.7 bar | -40°C (373 mm hg) | 60 | 0.05 | 4.6 | 9.7 | 17.7 | 25.9 | 62.7 | 95.3 | 152.5 | 286.0 |
| | | 80 | | 4.4 | 9.3 | 17.0 | 24.8 | 60.0 | 91.3 | 146.1 | 274.0 |
| | | 100 | | 4.3 | 8.9 | 16.3 | 23.9 | 57.8 | 88.0 | 140.8 | 264.0 |
| | | 60 | 0.21 | 9.4 | 19.7 | 36.1 | 52.7 | 127.6 | 194.2 | 310.7 | 582.5 |
| | | 80 | | 9.0 | 18.9 | 34.5 | 50.5 | 122.2 | 185.9 | 297.5 | 557.8 |
| | | 100 | | 8.7 | 18.2 | 33.3 | 48.6 | 117.7 | 179.1 | 286.6 | 537.3 |
| | -20°C (91.4 mm hg) | 60 | 0.05 | 5.0 | 10.5 | 19.3 | 28.2 | 68.3 | 103.9 | 166.3 | 311.7 |
| | | 80 | | 4.8 | 10.1 | 18.5 | 27.0 | 65.4 | 99.5 | 159.3 | 298.6 |
| | | 100 | | 4.7 | 9.7 | 17.8 | 26.0 | 63.0 | 95.9 | 153.5 | 287.7 |
| | | 60 | 0.21 | 10.3 | 21.5 | 39.3 | 57.4 | 139.1 | 211.6 | 338.6 | 634.8 |
| | | 80 | | 9.8 | 20.6 | 37.6 | 55.0 | 133.2 | 202.7 | 324.2 | 608.0 |
| | | 100 | | 9.5 | 19.8 | 36.3 | 53.0 | 128.3 | 195.2 | 312.3 | 585.6 |
| | 0°C (1.9) | 60 | 0.05 | 5.4 | 11.4 | 20.8 | 30.5 | 73.7 | 112.2 | 179.5 | 336.6 |
| | | 80 | | 5.2 | 10.9 | 20.0 | 29.2 | 70.6 | 107.5 | 172.0 | 322.4 |
| | | 100 | | 5.0 | 10.5 | 19.2 | 28.1 | 68.1 | 103.6 | 165.7 | 310.7 |
| | | 60 | 0.21 | 11.1 | 23.2 | 42.4 | 62.0 | 150.1 | 228.5 | 365.6 | 685.4 |
| | | 80 | | 10.6 | 22.2 | 40.6 | 59.4 | 143.8 | 218.8 | 350.1 | 656.4 |
| | | 100 | | 10.2 | 21.4 | 39.1 | 57.2 | 138.5 | 210.8 | 337.2 | 632.3 |
| 35°C 7.8 bar | -40°C (373 mm hg) | 60 | 0.05 | 4.8 | 10.0 | 18.3 | 26.7 | 64.6 | 98.3 | 157.3 | 294.9 |
| | | 80 | | 4.6 | 9.5 | 17.4 | 25.5 | 61.7 | 93.9 | 150.3 | 281.7 |
| | | 100 | | 4.4 | 9.2 | 16.8 | 24.5 | 59.3 | 90.3 | 144.5 | 270.9 |
| | | 60 | 0.21 | 9.7 | 20.3 | 37.2 | 54.4 | 131.7 | 200.4 | 320.7 | 601.3 |
| | | 80 | | 9.3 | 19.4 | 35.5 | 51.9 | 125.8 | 191.4 | 306.2 | 574.1 |
| | | 100 | | 8.9 | 18.7 | 34.2 | 49.9 | 120.9 | 184.0 | 294.4 | 552.0 |
| | -20°C (91.4 mm hg) | 60 | 0.05 | 5.2 | 10.9 | 20.0 | 29.2 | 70.7 | 107.6 | 172.2 | 322.9 |
| | | 80 | | 5.0 | 10.4 | 19.1 | 27.9 | 67.6 | 102.8 | 164.5 | 308.4 |
| | | 100 | | 4.8 | 10.0 | 18.4 | 26.8 | 65.0 | 98.9 | 158.2 | 296.6 |
| | | 60 | 0.21 | 10.7 | 22.3 | 40.7 | 59.6 | 144.2 | 219.4 | 351.0 | 658.2 |
| | | 80 | | 10.2 | 21.2 | 38.9 | 56.9 | 137.7 | 209.5 | 335.2 | 628.5 |
| | | 100 | | 9.8 | 20.4 | 37.4 | 54.7 | 132.4 | 201.4 | 322.3 | 604.2 |
| | 0°C (1.9) | 60 | 0.05 | 5.7 | 11.8 | 21.7 | 31.7 | 76.6 | 116.6 | 186.6 | 349.8 |
| | | 80 | | 5.4 | 11.3 | 20.7 | 30.2 | 73.2 | 111.4 | 178.2 | 334.2 |
| | | 100 | | 5.2 | 10.9 | 19.9 | 29.1 | 70.4 | 107.1 | 171.4 | 321.3 |
| | | 60 | 0.21 | 11.5 | 24.1 | 44.2 | 64.5 | 156.2 | 237.7 | 380.4 | 713.2 |
| | | 80 | | 11.0 | 23.0 | 42.2 | 61.6 | 149.2 | 227.0 | 363.2 | 681.0 |
| | | 100 | | 10.6 | 22.1 | 40.5 | 59.2 | 143.4 | 218.2 | 349.2 | 654.7 |

Note: Shading is for readability purposes only.

Discharge Capacities – CK4A

CK4A – Discharge Capacities (Tons)

R-404A

| Cond Temp °F Sat Pressure psig | Evaporator Temperature (Sat Pres) psig | Discharge Temp °F | Pressure Drop psi | CK4A 1/2" 13mm | CK4A 3/4" 20mm | CK4A 1" 25mm | CK4A 1-1/4" 32mm | CK4A 2" 50mm | CK4A 2-1/2" 65mm | CK4A 3" 75mm | CK4A 4" 100mm |
|--------------------------------------|--|----------------------|-------------------------|----------------------|----------------------|--------------------|------------------------|--------------------|------------------------|--------------------|---------------------|
| 75°F 161.2 psig | -40°F (2.7) | 140 | 0.75 | 1.4 | 3.0 | 5.4 | 7.9 | 19.2 | 29.3 | 46.8 | 87.8 |
| | | 180 | | 1.4 | 2.8 | 5.2 | 7.6 | 18.3 | 27.8 | 44.5 | 83.5 |
| | | 220 | | 1.3 | 2.7 | 5.0 | 7.2 | 17.5 | 26.7 | 42.6 | 80.0 |
| | | 140 | 3 | 2.8 | 5.9 | 10.8 | 15.8 | 38.4 | 58.4 | 93.4 | 175.1 |
| | | 180 | | 2.7 | 5.6 | 10.3 | 15.1 | 36.5 | 55.5 | 88.8 | 166.4 |
| | | 220 | | 2.6 | 5.4 | 9.9 | 14.4 | 34.9 | 53.1 | 85.0 | 159.3 |
| | 0°F (33.5) | 140 | 0.75 | 1.6 | 3.3 | 6.1 | 8.9 | 21.5 | 32.8 | 52.5 | 98.3 |
| | | 180 | | 1.5 | 3.2 | 5.8 | 8.5 | 20.5 | 31.2 | 49.9 | 93.5 |
| | | 220 | | 1.4 | 3.0 | 5.5 | 8.1 | 19.6 | 29.8 | 47.7 | 89.5 |
| | | 140 | 3 | 3.2 | 6.6 | 12.1 | 17.7 | 42.9 | 65.4 | 104.6 | 196.1 |
| | | 180 | | 3.0 | 6.3 | 11.5 | 16.9 | 40.8 | 62.1 | 99.4 | 186.3 |
| | | 220 | | 2.9 | 6.0 | 11.0 | 16.1 | 39.1 | 59.5 | 95.1 | 178.4 |
| | 40°F (86.4) | 140 | 0.75 | 1.7 | 3.7 | 6.7 | 9.8 | 23.7 | 36.0 | 57.6 | 108.0 |
| | | 180 | | 1.7 | 3.5 | 6.4 | 9.3 | 22.5 | 34.2 | 54.8 | 102.7 |
| | | 220 | | 1.6 | 3.3 | 6.1 | 8.9 | 21.5 | 32.8 | 52.4 | 98.3 |
| | | 140 | 3 | 3.5 | 7.3 | 13.3 | 19.5 | 47.2 | 71.8 | 114.8 | 215.3 |
| | | 180 | | 3.3 | 6.9 | 12.7 | 18.5 | 44.8 | 68.2 | 109.2 | 204.7 |
| | | 220 | | 3.2 | 6.6 | 12.1 | 17.7 | 42.9 | 65.3 | 104.5 | 195.9 |
| 95°F 219.4 psig | -40°F (2.7) | 140 | 0.75 | 1.4 | 3.0 | 5.5 | 8.1 | 19.6 | 29.8 | 47.6 | 89.3 |
| | | 180 | | 1.4 | 2.8 | 5.2 | 7.6 | 18.4 | 28.0 | 44.8 | 84.1 |
| | | 220 | | 1.3 | 2.7 | 5.0 | 7.2 | 17.5 | 26.7 | 42.6 | 80.0 |
| | | 140 | 3 | 2.9 | 6.0 | 11.0 | 16.1 | 39.1 | 59.4 | 95.1 | 178.3 |
| | | 180 | | 2.7 | 5.7 | 10.4 | 15.2 | 36.7 | 55.9 | 89.5 | 167.7 |
| | | 220 | | 2.6 | 5.4 | 9.9 | 14.4 | 34.9 | 53.2 | 85.1 | 159.5 |
| | 0°F (33.5) | 140 | 0.75 | 1.6 | 3.4 | 6.3 | 9.2 | 22.3 | 34.0 | 54.3 | 101.9 |
| | | 180 | | 1.6 | 3.2 | 5.9 | 8.7 | 21.0 | 32.0 | 51.1 | 95.9 |
| | | 220 | | 1.5 | 3.1 | 5.6 | 8.3 | 20.0 | 30.4 | 48.6 | 91.2 |
| | | 140 | 3 | 3.3 | 6.9 | 12.6 | 18.4 | 44.5 | 67.8 | 108.5 | 203.4 |
| | | 180 | | 3.1 | 6.5 | 11.8 | 17.3 | 41.9 | 63.8 | 102.0 | 191.3 |
| | | 220 | | 2.9 | 6.2 | 11.3 | 16.5 | 39.9 | 60.7 | 97.0 | 182.0 |
| | 40°F (86.4) | 140 | 0.75 | 1.8 | 3.8 | 7.0 | 10.3 | 24.8 | 37.8 | 60.5 | 113.4 |
| | | 180 | | 1.7 | 3.6 | 6.6 | 9.7 | 23.4 | 35.6 | 56.9 | 106.7 |
| | | 220 | | 1.6 | 3.4 | 6.3 | 9.2 | 22.2 | 33.9 | 54.2 | 101.6 |
| | | 140 | 3 | 3.7 | 7.7 | 14.0 | 20.5 | 49.6 | 75.5 | 120.8 | 226.4 |
| | | 180 | | 3.4 | 7.2 | 13.2 | 19.3 | 46.7 | 71.0 | 113.6 | 213.0 |
| | | 220 | | 3.3 | 6.8 | 12.5 | 18.3 | 44.4 | 67.5 | 108.0 | 202.6 |
| 115°F 290.4 psig | -40°F (2.7) | 140 | 0.75 | 1.4 | 2.9 | 5.4 | 7.9 | 19.1 | 29.1 | 46.5 | 87.2 |
| | | 180 | | 1.3 | 2.7 | 5.0 | 7.3 | 17.6 | 26.8 | 42.9 | 80.5 |
| | | 220 | | 1.2 | 2.6 | 4.7 | 6.9 | 16.6 | 25.3 | 40.4 | 75.8 |
| | | 140 | 3 | 2.8 | 5.9 | 10.8 | 15.8 | 38.2 | 58.1 | 92.9 | 174.2 |
| | | 180 | | 2.6 | 5.4 | 10.0 | 14.5 | 35.2 | 53.6 | 85.7 | 160.8 |
| | | 220 | | 2.5 | 5.1 | 9.4 | 13.7 | 33.2 | 50.5 | 80.7 | 151.4 |
| | 0°F (33.5) | 140 | 0.75 | 1.7 | 3.5 | 6.3 | 9.3 | 22.4 | 34.1 | 54.6 | 102.4 |
| | | 180 | | 1.5 | 3.2 | 5.9 | 8.6 | 20.7 | 31.5 | 50.4 | 94.5 |
| | | 220 | | 1.4 | 3.0 | 5.5 | 8.1 | 19.5 | 29.7 | 47.5 | 89.0 |
| | | 140 | 3 | 3.3 | 6.9 | 12.7 | 18.5 | 44.8 | 68.2 | 109.1 | 204.5 |
| | | 180 | | 3.1 | 6.4 | 11.7 | 17.1 | 41.3 | 62.9 | 100.6 | 188.7 |
| | | 220 | | 2.9 | 6.0 | 11.0 | 16.1 | 38.9 | 59.2 | 94.8 | 177.7 |
| | 40°F (86.4) | 140 | 0.75 | 1.9 | 3.9 | 7.2 | 10.5 | 25.5 | 38.8 | 62.0 | 116.3 |
| | | 180 | | 1.7 | 3.6 | 6.6 | 9.7 | 23.5 | 35.8 | 57.3 | 107.4 |
| | | 220 | | 1.6 | 3.4 | 6.3 | 9.2 | 22.2 | 33.7 | 53.9 | 101.2 |
| | | 140 | 3 | 3.8 | 7.9 | 14.4 | 21.0 | 50.9 | 77.5 | 123.9 | 232.4 |
| | | 180 | | 3.5 | 7.3 | 13.3 | 19.4 | 47.0 | 71.5 | 114.4 | 214.4 |
| | | 220 | | 3.3 | 6.8 | 12.5 | 18.3 | 44.2 | 67.3 | 107.7 | 201.9 |

Note: Shading is for readability purposes only.

Discharge Capacities – CK4A

CK4A – Discharge Capacities (Kilowatts)

R-404A

| Cond Temp °C Sat Pressure bar | Evaporator Temperature (Sat Pres) bar | Discharge Temp °C | Pressure Drop bar | CK4A 1/2" 13mm | CK4A 3/4" 20mm | CK4A 1" 25mm | CK4A 1-1/4" 32mm | CK4A 2" 50mm | CK4A 2-1/2" 65mm | CK4A 3" 75mm | CK4A 4" 100mm | |
|-------------------------------------|---|----------------------|-------------------------|----------------------|----------------------|--------------------|------------------------|--------------------|------------------------|--------------------|---------------------|-------|
| 25°C 11.2 bar | -40°C (0.3) | 60 | 0.05 | 4.9 | 10.2 | 18.7 | 27.3 | 66.1 | 100.5 | 160.9 | 301.6 | |
| | | 80 | | 4.7 | 9.7 | 17.8 | 26.0 | 63.1 | 96.0 | 153.5 | 287.9 | |
| | | 100 | | 4.5 | 9.3 | 17.1 | 25.0 | 60.6 | 92.2 | 147.5 | 276.5 | |
| | | 60 | 0.21 | 10.0 | 20.8 | 38.1 | 55.7 | 134.9 | 205.3 | 328.5 | 615.9 | |
| | | 80 | | 9.5 | 19.9 | 36.4 | 53.2 | 128.7 | 195.9 | 313.4 | 587.7 | |
| | | 100 | | 9.1 | 19.1 | 34.9 | 51.1 | 123.6 | 188.1 | 300.9 | 564.3 | |
| | -20°C (2.0) | 60 | 0.05 | 5.4 | 11.3 | 20.7 | 30.3 | 73.4 | 111.6 | 178.6 | 334.9 | |
| | | 80 | | 5.2 | 10.8 | 19.8 | 28.9 | 70.0 | 106.6 | 170.5 | 319.7 | |
| | | 100 | | 5.0 | 10.4 | 19.0 | 27.8 | 67.3 | 102.3 | 163.7 | 307.0 | |
| | | 60 | 0.21 | 11.1 | 23.1 | 42.3 | 61.9 | 149.8 | 228.0 | 364.8 | 683.9 | |
| | | 80 | | 10.6 | 22.1 | 40.4 | 59.0 | 143.0 | 217.5 | 348.1 | 652.6 | |
| | | 100 | | 10.1 | 21.2 | 38.8 | 56.7 | 137.3 | 208.9 | 334.2 | 626.6 | |
| | 0°C (4.9) | 60 | 0.05 | 5.9 | 12.4 | 22.7 | 33.1 | 80.2 | 122.0 | 195.2 | 366.0 | |
| | | 80 | | 5.7 | 11.8 | 21.6 | 31.6 | 76.5 | 116.5 | 186.3 | 349.4 | |
| | | 100 | | 5.4 | 11.3 | 20.8 | 30.4 | 73.5 | 111.8 | 178.9 | 335.5 | |
| | | 60 | 0.21 | 12.1 | 25.3 | 46.3 | 67.6 | 163.7 | 249.1 | 398.6 | 747.4 | |
| | | 80 | | 11.5 | 24.1 | 44.2 | 64.5 | 156.2 | 237.7 | 380.4 | 713.2 | |
| | | 100 | | 11.1 | 23.2 | 42.4 | 62.0 | 150.0 | 228.3 | 365.2 | 684.8 | |
| | 30°C 13.1 bar | -40°C (0.3) | 60 | 0.05 | 4.9 | 10.3 | 18.8 | 27.5 | 66.6 | 101.4 | 162.2 | 304.2 |
| | | | 80 | | 4.7 | 9.8 | 17.9 | 26.2 | 63.4 | 96.4 | 154.3 | 289.3 |
| | | | 100 | | 4.5 | 9.4 | 17.2 | 25.1 | 60.7 | 92.4 | 147.8 | 277.1 |
| | | | 60 | 0.21 | 10.1 | 21.0 | 38.5 | 56.2 | 136.1 | 207.2 | 331.5 | 621.5 |
| | | | 80 | | 9.6 | 20.0 | 36.6 | 53.5 | 129.4 | 197.0 | 315.1 | 590.9 |
| | | | 100 | | 9.2 | 19.1 | 35.0 | 51.2 | 124.0 | 188.6 | 301.8 | 565.9 |
| -20°C (2.0) | | 60 | 0.05 | 5.5 | 11.5 | 21.1 | 30.8 | 74.5 | 113.4 | 181.5 | 340.2 | |
| | | 80 | | 5.2 | 10.9 | 20.0 | 29.3 | 70.9 | 107.9 | 172.6 | 323.6 | |
| | | 100 | | 5.0 | 10.5 | 19.2 | 28.0 | 67.9 | 103.3 | 165.3 | 310.0 | |
| | | 60 | 0.21 | 11.3 | 23.5 | 43.0 | 62.9 | 152.3 | 231.7 | 370.8 | 695.2 | |
| | | 80 | | 10.7 | 22.3 | 40.9 | 59.8 | 144.8 | 220.3 | 352.5 | 660.9 | |
| | | 100 | | 10.2 | 21.4 | 39.2 | 57.3 | 138.7 | 211.0 | 337.6 | 633.0 | |
| 0°C (4.9) | | 60 | 0.05 | 6.1 | 12.6 | 23.1 | 33.8 | 81.9 | 124.6 | 199.4 | 373.9 | |
| | | 80 | | 5.8 | 12.0 | 22.0 | 32.2 | 77.9 | 118.5 | 189.6 | 355.5 | |
| | | 100 | | 5.5 | 11.5 | 21.1 | 30.8 | 74.6 | 113.5 | 181.7 | 340.6 | |
| | | 60 | 0.21 | 12.4 | 25.8 | 47.3 | 69.1 | 167.3 | 254.7 | 407.5 | 764.0 | |
| | | 80 | | 11.8 | 24.6 | 45.0 | 65.7 | 159.1 | 242.1 | 387.3 | 726.3 | |
| | | 100 | | 11.3 | 23.5 | 43.1 | 62.9 | 152.4 | 231.9 | 371.0 | 695.6 | |
| 35°C 15.1 bar | | -40°C (0.3) | 60 | 0.05 | 4.9 | 10.3 | 18.9 | 27.6 | 66.8 | 101.6 | 162.6 | 304.8 |
| | | | 80 | | 4.7 | 9.8 | 17.9 | 26.1 | 63.2 | 96.2 | 153.9 | 288.5 |
| | | | 100 | | 4.5 | 9.3 | 17.1 | 24.9 | 60.3 | 91.8 | 146.9 | 275.5 |
| | | | 60 | 0.21 | 10.1 | 21.1 | 38.6 | 56.4 | 136.6 | 207.8 | 332.5 | 623.5 |
| | | | 80 | | 9.6 | 19.9 | 36.5 | 53.4 | 129.2 | 196.6 | 314.6 | 589.8 |
| | | | 100 | | 9.1 | 19.0 | 34.9 | 51.0 | 123.4 | 187.7 | 300.4 | 563.2 |
| | -20°C (2.0) | 60 | 0.05 | 5.6 | 11.6 | 21.3 | 31.1 | 75.3 | 114.6 | 183.4 | 343.9 | |
| | | 80 | | 5.3 | 11.0 | 20.2 | 29.5 | 71.3 | 108.5 | 173.6 | 325.5 | |
| | | 100 | | 5.0 | 10.5 | 19.2 | 28.1 | 68.1 | 103.6 | 165.8 | 310.9 | |
| | | 60 | 0.21 | 11.4 | 23.8 | 43.6 | 63.7 | 154.1 | 234.5 | 375.2 | 703.5 | |
| | | 80 | | 10.8 | 22.5 | 41.2 | 60.2 | 145.8 | 221.8 | 354.9 | 665.5 | |
| | | 100 | | 10.3 | 21.5 | 39.3 | 57.5 | 139.2 | 211.8 | 338.9 | 635.4 | |
| | 0°C (4.9) | 60 | 0.05 | 6.2 | 12.9 | 23.6 | 34.4 | 83.3 | 126.8 | 202.9 | 380.4 | |
| | | 80 | | 5.8 | 12.2 | 22.3 | 32.6 | 78.9 | 120.0 | 192.0 | 360.0 | |
| | | 100 | | 5.6 | 11.6 | 21.3 | 31.1 | 75.3 | 114.6 | 183.4 | 343.8 | |
| | | 60 | 0.21 | 12.6 | 26.3 | 48.2 | 70.4 | 170.5 | 259.4 | 415.0 | 778.2 | |
| | | 80 | | 11.9 | 24.9 | 45.6 | 66.6 | 161.2 | 245.4 | 392.6 | 736.1 | |
| | | 100 | | 11.4 | 23.8 | 43.5 | 63.6 | 153.9 | 234.3 | 374.8 | 702.8 | |

Note: Shading is for readability purposes only.

Discharge Capacities – CK4A

CK4A – Discharge Capacities (Tons)

R-507

| Cond Temp °F Sat Pressure psig | Evaporator Temperature (Sat Pres) psig | Discharge Temp °F | Pressure Drop psi | CK4A 1/2" 13mm | CK4A 3/4" 20mm | CK4A 1" 25mm | CK4A 1-1/4" 32mm | CK4A 2" 50mm | CK4A 2-1/2" 65mm | CK4A 3" 75mm | CK4A 4" 100mm | |
|--------------------------------------|--|----------------------|-------------------------|----------------------|----------------------|--------------------|------------------------|--------------------|------------------------|--------------------|---------------------|-------|
| 75°F 167.0 psig | -40°F (5.5) | 140 | 0.75 | 1.4 | 3.0 | 5.5 | 8.0 | 19.4 | 29.6 | 47.3 | 88.8 | |
| | | 180 | | 1.4 | 2.9 | 5.2 | 7.6 | 18.5 | 28.1 | 45.0 | 84.4 | |
| | | 220 | | 1.3 | 2.7 | 5.0 | 7.3 | 17.7 | 27.0 | 43.1 | 80.9 | |
| | | 140 | 3 | 2.9 | 6.0 | 11.0 | 16.0 | 38.8 | 59.0 | 94.4 | 176.9 | |
| | | 180 | | 2.7 | 5.7 | 10.4 | 15.2 | 36.8 | 56.1 | 89.7 | 168.2 | |
| | | 220 | | 2.6 | 5.4 | 10.0 | 14.6 | 35.3 | 53.7 | 86.0 | 161.2 | |
| | 0°F (35.2) | 140 | 0.75 | 1.6 | 3.3 | 6.1 | 8.9 | 21.6 | 32.9 | 52.7 | 98.8 | |
| | | 180 | | 1.5 | 3.2 | 5.8 | 8.5 | 20.6 | 31.3 | 50.1 | 93.9 | |
| | | 220 | | 1.5 | 3.0 | 5.6 | 8.1 | 19.7 | 30.0 | 48.0 | 90.0 | |
| | | 140 | 3 | 3.2 | 6.7 | 12.2 | 17.8 | 43.1 | 65.6 | 105.0 | 196.9 | |
| | | 180 | | 3.0 | 6.3 | 11.6 | 16.9 | 41.0 | 62.4 | 99.8 | 187.2 | |
| | | 220 | | 2.9 | 6.1 | 11.1 | 16.2 | 39.3 | 59.8 | 95.6 | 179.3 | |
| | 40°F (87.8) | 140 | 0.75 | 1.8 | 3.7 | 6.7 | 9.8 | 23.7 | 36.1 | 57.7 | 108.2 | |
| | | 180 | | 1.7 | 3.5 | 6.4 | 9.3 | 22.5 | 34.3 | 54.9 | 102.9 | |
| | | 220 | | 1.6 | 3.3 | 6.1 | 8.9 | 21.6 | 32.9 | 52.6 | 98.6 | |
| | | 140 | 3 | 3.5 | 7.3 | 13.4 | 19.5 | 47.2 | 71.9 | 115.0 | 215.7 | |
| | | 180 | | 3.3 | 6.9 | 12.7 | 18.6 | 44.9 | 68.3 | 109.4 | 205.0 | |
| | | 220 | | 3.2 | 6.6 | 12.2 | 17.8 | 43.0 | 65.5 | 104.8 | 196.4 | |
| | 95°F 226.0 psig | -40°F (5.5) | 140 | 0.75 | 1.5 | 3.1 | 5.7 | 8.3 | 20.1 | 30.6 | 48.9 | 91.7 |
| | | | 180 | | 1.4 | 2.9 | 5.3 | 7.8 | 18.9 | 28.8 | 46.1 | 86.4 |
| | | | 220 | | 1.3 | 2.8 | 5.1 | 7.4 | 18.0 | 27.4 | 43.9 | 82.3 |
| | | | 140 | 3 | 3.0 | 6.2 | 11.3 | 16.6 | 40.1 | 61.0 | 97.6 | 183.0 |
| | | | 180 | | 2.8 | 5.8 | 10.7 | 15.6 | 37.7 | 57.4 | 91.9 | 172.3 |
| | | | 220 | | 2.7 | 5.5 | 10.2 | 14.9 | 36.0 | 54.7 | 87.5 | 164.1 |
| 0°F (35.2) | | 140 | 0.75 | 1.7 | 3.5 | 6.4 | 9.4 | 22.7 | 34.6 | 55.3 | 103.7 | |
| | | 180 | | 1.6 | 3.3 | 6.0 | 8.8 | 21.4 | 32.5 | 52.1 | 97.6 | |
| | | 220 | | 1.5 | 3.1 | 5.8 | 8.4 | 20.4 | 31.0 | 49.6 | 93.0 | |
| | | 140 | 3 | 3.3 | 7.0 | 12.8 | 18.7 | 45.3 | 68.9 | 110.3 | 206.8 | |
| | | 180 | | 3.2 | 6.6 | 12.1 | 17.6 | 42.7 | 64.9 | 103.9 | 194.7 | |
| | | 220 | | 3.0 | 6.3 | 11.5 | 16.8 | 40.6 | 61.8 | 98.9 | 185.5 | |
| 40°F (87.8) | | 140 | 0.75 | 1.9 | 3.9 | 7.1 | 10.4 | 25.2 | 38.3 | 61.3 | 114.9 | |
| | | 180 | | 1.8 | 3.7 | 6.7 | 9.8 | 23.7 | 36.1 | 57.7 | 108.2 | |
| | | 220 | | 1.7 | 3.5 | 6.4 | 9.3 | 22.6 | 34.4 | 55.0 | 103.1 | |
| | | 140 | 3 | 3.7 | 7.8 | 14.2 | 20.7 | 50.2 | 76.4 | 122.3 | 229.2 | |
| | | 180 | | 3.5 | 7.3 | 13.4 | 19.5 | 47.3 | 72.0 | 115.1 | 215.9 | |
| | | 220 | | 3.3 | 7.0 | 12.7 | 18.6 | 45.0 | 68.5 | 109.7 | 205.6 | |
| 115°F 301.0 psig | | -40°F (5.5) | 140 | 0.75 | 1.5 | 3.1 | 5.7 | 8.3 | 20.2 | 30.7 | 49.1 | 92.1 |
| | | | 180 | | 1.4 | 2.9 | 5.3 | 7.7 | 18.7 | 28.4 | 45.5 | 85.3 |
| | | | 220 | | 1.3 | 2.7 | 5.0 | 7.3 | 17.6 | 26.8 | 42.9 | 80.5 |
| | | | 140 | 3 | 3.0 | 6.2 | 11.4 | 16.7 | 40.3 | 61.4 | 98.2 | 184.1 |
| | | | 180 | | 2.8 | 5.8 | 10.5 | 15.4 | 37.3 | 56.8 | 90.9 | 170.3 |
| | | | 220 | | 2.6 | 5.4 | 10.0 | 14.5 | 35.2 | 53.6 | 85.7 | 160.7 |
| | 0°F (35.2) | 140 | 0.75 | 1.7 | 3.6 | 6.6 | 9.6 | 23.3 | 35.5 | 56.8 | 106.5 | |
| | | 180 | | 1.6 | 3.3 | 6.1 | 8.9 | 21.6 | 32.9 | 52.6 | 98.6 | |
| | | 220 | | 1.5 | 3.1 | 5.8 | 8.4 | 20.4 | 31.0 | 49.6 | 93.1 | |
| | | 140 | 3 | 3.4 | 7.2 | 13.2 | 19.3 | 46.6 | 71.0 | 113.5 | 212.9 | |
| | | 180 | | 3.2 | 6.7 | 12.2 | 17.8 | 43.1 | 65.6 | 105.0 | 196.9 | |
| | | 220 | | 3.0 | 6.3 | 11.5 | 16.8 | 40.7 | 61.9 | 99.1 | 185.8 | |
| | 40°F (87.8) | 140 | 0.75 | 1.9 | 4.1 | 7.4 | 10.9 | 26.3 | 40.0 | 64.0 | 120.1 | |
| | | 180 | | 1.8 | 3.8 | 6.9 | 10.1 | 24.3 | 37.0 | 59.3 | 111.1 | |
| | | 220 | | 1.7 | 3.5 | 6.5 | 9.5 | 23.0 | 35.0 | 55.9 | 104.9 | |
| | | 140 | 3 | 3.9 | 8.1 | 14.9 | 21.7 | 52.6 | 80.0 | 128.0 | 240.0 | |
| | | 180 | | 3.6 | 7.5 | 13.7 | 20.1 | 48.6 | 74.0 | 118.4 | 222.0 | |
| | | 220 | | 3.4 | 7.1 | 13.0 | 19.0 | 45.9 | 69.8 | 111.7 | 209.4 | |

Note: Shading is for readability purposes only.

Discharge Capacities – CK4A

CK4A – Discharge Capacities (Kilowatts)

R-507

| Cond Temp °C Sat Pressure bar | Evaporator Temperature (Sat Pres) bar | Discharge Temp °C | Pressure Drop bar | CK4A 1/2" 13mm | CK4A 3/4" 20mm | CK4A 1" 25mm | CK4A 1-1/4" 32mm | CK4A 2" 50mm | CK4A 2-1/2" 65mm | CK4A 3" 75mm | CK4A 4" 100mm |
|-------------------------------------|---|----------------------|-------------------------|----------------------|----------------------|--------------------|------------------------|--------------------|------------------------|--------------------|---------------------|
| 25°C 11.6 bar | -40°C (0.4) | 60 | 0.05 | 4.9 | 10.3 | 18.9 | 27.6 | 66.8 | 101.7 | 162.8 | 305.2 |
| | | 80 | | 4.7 | 9.9 | 18.0 | 26.4 | 63.8 | 97.1 | 155.4 | 291.4 |
| | | 100 | | 4.5 | 9.5 | 17.3 | 25.3 | 61.3 | 93.3 | 149.4 | 280.0 |
| | | 60 | 0.21 | 10.1 | 21.1 | 38.6 | 56.4 | 136.5 | 207.8 | 332.4 | 623.3 |
| | | 80 | | 9.6 | 20.1 | 36.8 | 53.8 | 130.3 | 198.3 | 317.3 | 595.0 |
| | | 100 | | 9.3 | 19.3 | 35.4 | 51.7 | 125.2 | 190.6 | 304.9 | 571.7 |
| | -20°C (2.1) | 60 | 0.05 | 5.5 | 11.4 | 20.8 | 30.5 | 73.8 | 112.3 | 179.6 | 336.8 |
| | | 80 | | 5.2 | 10.9 | 19.9 | 29.1 | 70.4 | 107.2 | 171.5 | 321.6 |
| | | 100 | | 5.0 | 10.4 | 19.1 | 28.0 | 67.7 | 103.0 | 164.8 | 309.1 |
| | | 60 | 0.21 | 11.1 | 23.3 | 42.6 | 62.2 | 150.7 | 229.3 | 366.9 | 687.9 |
| | | 80 | | 10.6 | 22.2 | 40.6 | 59.4 | 143.8 | 218.9 | 350.2 | 656.6 |
| | | 100 | | 10.2 | 21.3 | 39.1 | 57.1 | 138.2 | 210.3 | 336.5 | 631.0 |
| | 0°C (5.2) | 60 | 0.05 | 5.9 | 12.4 | 22.7 | 33.2 | 80.4 | 122.3 | 195.7 | 366.9 |
| | | 80 | | 5.7 | 11.8 | 21.7 | 31.7 | 76.7 | 116.8 | 186.8 | 350.3 |
| | | 100 | | 5.5 | 11.4 | 20.8 | 30.5 | 73.7 | 112.2 | 179.5 | 336.6 |
| | | 60 | 0.21 | 12.1 | 25.3 | 46.4 | 67.8 | 164.1 | 249.8 | 399.6 | 749.3 |
| | | 80 | | 11.6 | 24.2 | 44.3 | 64.7 | 156.7 | 238.4 | 381.5 | 715.3 |
| | | 100 | | 11.1 | 23.2 | 42.5 | 62.2 | 150.5 | 229.1 | 366.5 | 687.3 |
| 30°C 13.5 bar | -40°C (0.4) | 60 | 0.05 | 5.0 | 10.5 | 19.2 | 28.1 | 67.9 | 103.3 | 165.4 | 310.0 |
| | | 80 | | 4.8 | 10.0 | 18.3 | 26.7 | 64.6 | 98.3 | 157.3 | 295.0 |
| | | 100 | | 4.6 | 9.6 | 17.5 | 25.6 | 62.0 | 94.3 | 150.8 | 282.8 |
| | | 60 | 0.21 | 10.3 | 21.4 | 39.2 | 57.3 | 138.8 | 211.2 | 337.9 | 633.6 |
| | | 80 | | 9.8 | 20.4 | 37.3 | 54.5 | 132.0 | 200.9 | 321.4 | 602.6 |
| | | 100 | | 9.4 | 19.5 | 35.8 | 52.3 | 126.5 | 192.6 | 308.1 | 577.7 |
| | -20°C (2.1) | 60 | 0.05 | 5.6 | 11.6 | 21.3 | 31.1 | 75.4 | 114.8 | 183.6 | 344.3 |
| | | 80 | | 5.3 | 11.1 | 20.3 | 29.6 | 71.7 | 109.2 | 174.7 | 327.5 |
| | | 100 | | 5.1 | 10.6 | 19.4 | 28.4 | 68.8 | 104.7 | 167.5 | 314.0 |
| | | 60 | 0.21 | 11.4 | 23.8 | 43.6 | 63.7 | 154.1 | 234.5 | 375.2 | 703.6 |
| | | 80 | | 10.8 | 22.6 | 41.4 | 60.5 | 146.6 | 223.1 | 356.9 | 669.2 |
| | | 100 | | 10.4 | 21.7 | 39.7 | 58.0 | 140.5 | 213.8 | 342.1 | 641.5 |
| | 0°C (5.2) | 60 | 0.05 | 6.1 | 12.7 | 23.3 | 34.1 | 82.5 | 125.6 | 201.0 | 376.8 |
| | | 80 | | 5.8 | 12.1 | 22.2 | 32.4 | 78.5 | 119.5 | 191.2 | 358.5 |
| | | 100 | | 5.6 | 11.6 | 21.3 | 31.1 | 75.3 | 114.6 | 183.3 | 343.7 |
| | | 60 | 0.21 | 12.5 | 26.0 | 47.7 | 69.7 | 168.7 | 256.7 | 410.7 | 770.0 |
| | | 80 | | 11.9 | 24.8 | 45.3 | 66.3 | 160.4 | 244.1 | 390.6 | 732.4 |
| | | 100 | | 11.4 | 23.7 | 43.5 | 63.5 | 153.8 | 234.0 | 374.5 | 702.1 |
| 35°C 15.6 bar | -40°C (0.4) | 60 | 0.05 | 5.1 | 10.6 | 19.4 | 28.4 | 68.7 | 104.5 | 167.2 | 313.4 |
| | | 80 | | 4.8 | 10.0 | 18.4 | 26.9 | 65.0 | 98.9 | 158.3 | 296.8 |
| | | 100 | | 4.6 | 9.6 | 17.6 | 25.7 | 62.2 | 94.6 | 151.4 | 283.8 |
| | | 60 | 0.21 | 10.4 | 21.7 | 39.7 | 58.0 | 140.3 | 213.6 | 341.7 | 640.7 |
| | | 80 | | 9.8 | 20.5 | 37.6 | 54.9 | 132.9 | 202.2 | 323.5 | 606.6 |
| | | 100 | | 9.4 | 19.6 | 35.9 | 52.5 | 127.0 | 193.3 | 309.3 | 579.9 |
| | -20°C (2.1) | 60 | 0.05 | 5.7 | 11.9 | 21.7 | 31.7 | 76.8 | 116.8 | 186.9 | 350.5 |
| | | 80 | | 5.4 | 11.2 | 20.5 | 30.0 | 72.7 | 110.6 | 177.0 | 331.9 |
| | | 100 | | 5.1 | 10.7 | 19.6 | 28.7 | 69.5 | 105.8 | 169.3 | 317.4 |
| | | 60 | 0.21 | 11.6 | 24.2 | 44.4 | 64.8 | 156.9 | 238.8 | 382.1 | 716.5 |
| | | 80 | | 11.0 | 22.9 | 42.0 | 61.4 | 148.6 | 226.1 | 361.8 | 678.3 |
| | | 100 | | 10.5 | 21.9 | 40.1 | 58.7 | 142.0 | 216.1 | 345.8 | 648.4 |
| | 0°C (5.2) | 60 | 0.05 | 6.2 | 13.0 | 23.9 | 34.9 | 84.5 | 128.6 | 205.7 | 385.7 |
| | | 80 | | 5.9 | 12.4 | 22.6 | 33.1 | 80.0 | 121.8 | 194.8 | 365.3 |
| | | 100 | | 5.7 | 11.8 | 21.6 | 31.6 | 76.5 | 116.4 | 186.3 | 349.3 |
| | | 60 | 0.21 | 12.8 | 26.7 | 48.8 | 71.3 | 172.7 | 262.8 | 420.5 | 788.5 |
| | | 80 | | 12.1 | 25.2 | 46.2 | 67.5 | 163.5 | 248.8 | 398.2 | 746.5 |
| | | 100 | | 11.6 | 24.1 | 44.2 | 64.6 | 156.3 | 237.9 | 380.6 | 713.6 |

Note: Shading is for readability purposes only.

Condenser Bypass Capacities – A9 & A8_0

A9 & A8_0 – Condenser Bypass Capacities (Tons)

R-22

| Cond Temp °F Sat Pressure psig | Evaporator Temperature (Sat Pres) psig | Discharge Temp °F | Pressure Drop psi | A9 3/8" 9mm | A9 5/8" 15mm | A9 7/8" 22mm | A9 1-1/8" 28mm | A8AOE 3/8" 9mm | A8AOE 5/8" 15mm | A8AOE 7/8" 22mm | A810E 1-1/8" 28mm | A810E 1-3/8" 35mm | A820E 1-5/8" 42mm | A820E 2-1/8" 54mm | |
|--------------------------------------|--|----------------------|-------------------------|-------------------|--------------------|--------------------|----------------------|----------------------|-----------------------|-----------------------|-------------------------|-------------------------|-------------------------|-------------------------|-------|
| 75°F 132.0 psig | -40°F (5.5) | 140 | 10 | 3.5 | 9.9 | 28.1 | 39.8 | 14.4 | 36.9 | 52.4 | 66.9 | 117.8 | 176.0 | 308.9 | |
| | | 180 | | 3.6 | 10.1 | 28.7 | 40.6 | 14.8 | 38.0 | 54.0 | 68.9 | 121.4 | 181.4 | 318.4 | |
| | | 220 | | 3.7 | 10.3 | 29.3 | 41.5 | 15.1 | 38.9 | 55.2 | 70.4 | 124.1 | 185.5 | 325.5 | |
| | | 140 | 15 | 4.3 | 12.3 | 35.0 | 49.9 | 17.9 | 46.2 | 65.8 | 84.1 | 147.6 | 221.1 | 387.3 | |
| | | 180 | | 4.4 | 12.5 | 35.7 | 50.9 | 18.4 | 47.6 | 67.8 | 86.7 | 152.2 | 227.9 | 399.2 | |
| | | 220 | | 4.5 | 12.8 | 36.5 | 52.0 | 18.8 | 48.7 | 69.3 | 88.7 | 155.6 | 233.0 | 408.1 | |
| | 0°F (35.2) | 10 | 140 | 3.7 | 10.5 | 29.8 | 42.2 | 15.3 | 39.2 | 55.6 | 70.9 | 124.9 | 186.8 | 327.7 | |
| | | | 180 | 3.8 | 10.7 | 30.4 | 43.1 | 15.7 | 40.4 | 57.3 | 73.1 | 128.7 | 192.5 | 337.8 | |
| | | | 220 | 3.9 | 10.9 | 31.1 | 44.0 | 16.1 | 41.3 | 58.5 | 74.7 | 131.6 | 196.8 | 345.3 | |
| | | 140 | 15 | 4.6 | 13.0 | 37.1 | 53.0 | 18.9 | 49.0 | 69.8 | 89.2 | 156.5 | 234.4 | 410.6 | |
| | | 180 | | 4.7 | 13.3 | 37.8 | 54.0 | 19.5 | 50.5 | 71.9 | 91.9 | 161.3 | 241.6 | 423.2 | |
| | | 220 | | 4.8 | 13.6 | 38.7 | 55.2 | 20.0 | 51.6 | 73.5 | 94.0 | 164.9 | 247.0 | 432.6 | |
| | 40°F (87.8) | 10 | 140 | 3.9 | 11.0 | 31.4 | 44.4 | 16.0 | 41.1 | 58.4 | 74.5 | 131.3 | 196.3 | 344.4 | |
| | | | 180 | 4.0 | 11.2 | 32.0 | 45.3 | 16.5 | 42.4 | 60.2 | 76.8 | 135.3 | 202.3 | 355.0 | |
| | | | 220 | 4.1 | 11.5 | 32.7 | 46.2 | 16.9 | 43.4 | 61.5 | 78.5 | 138.3 | 206.8 | 362.9 | |
| | | 140 | 15 | 4.8 | 13.7 | 39.0 | 55.6 | 19.9 | 51.4 | 73.3 | 93.7 | 164.4 | 246.3 | 431.3 | |
| | | 180 | | 4.9 | 13.9 | 39.8 | 56.7 | 20.5 | 53.0 | 75.6 | 96.6 | 169.5 | 253.8 | 444.6 | |
| | | 220 | | 5.0 | 14.2 | 40.6 | 58.0 | 21.0 | 54.2 | 77.2 | 98.7 | 173.3 | 259.5 | 454.5 | |
| | 95°F 182.0 psig | -40°F (5.5) | 140 | 10 | 2.9 | 8.1 | 23.0 | 32.4 | 11.7 | 30.0 | 42.5 | 54.3 | 95.8 | 143.0 | 251.2 |
| | | | 180 | | 2.9 | 8.2 | 23.4 | 32.9 | 12.1 | 30.9 | 43.7 | 55.8 | 98.5 | 147.1 | 258.3 |
| | | | 220 | | 3.0 | 8.4 | 23.9 | 33.6 | 12.3 | 31.5 | 44.7 | 57.0 | 100.6 | 150.2 | 263.8 |
| | | | 140 | 15 | 3.5 | 9.9 | 28.4 | 40.2 | 14.5 | 37.3 | 53.0 | 67.6 | 119.0 | 178.0 | 312.1 |
| | | | 180 | | 3.6 | 10.1 | 28.9 | 41.0 | 14.9 | 38.3 | 54.4 | 69.5 | 122.4 | 183.0 | 321.0 |
| | | | 220 | | 3.7 | 10.3 | 29.5 | 41.8 | 15.2 | 39.2 | 55.6 | 71.0 | 125.0 | 186.9 | 327.9 |
| 0°F (35.2) | | 10 | 140 | 3.1 | 8.6 | 24.5 | 34.5 | 12.5 | 32.0 | 45.4 | 57.9 | 102.2 | 152.6 | 268.0 | |
| | | | 180 | 3.1 | 8.8 | 24.9 | 35.1 | 12.9 | 32.9 | 46.7 | 59.5 | 105.0 | 156.9 | 275.5 | |
| | | | 220 | 3.2 | 8.9 | 25.5 | 35.9 | 13.2 | 33.7 | 47.7 | 60.8 | 107.3 | 160.2 | 281.5 | |
| | | 140 | 15 | 3.8 | 10.6 | 30.2 | 42.9 | 15.4 | 39.7 | 56.5 | 72.1 | 126.9 | 189.7 | 332.8 | |
| | | 180 | | 3.8 | 10.8 | 30.8 | 43.7 | 15.9 | 40.9 | 58.1 | 74.1 | 130.4 | 195.1 | 342.2 | |
| | | 220 | | 3.9 | 11.0 | 31.4 | 44.6 | 16.2 | 41.7 | 59.3 | 75.7 | 133.3 | 199.3 | 349.6 | |
| 40°F (87.8) | | 10 | 140 | 3.2 | 9.1 | 25.9 | 36.4 | 13.2 | 33.8 | 47.9 | 61.1 | 107.8 | 161.1 | 282.9 | |
| | | | 180 | 3.3 | 9.2 | 26.3 | 37.1 | 13.6 | 34.8 | 49.3 | 62.8 | 110.9 | 165.6 | 290.9 | |
| | | | 220 | 3.4 | 9.4 | 26.9 | 37.9 | 13.9 | 35.5 | 50.3 | 64.2 | 113.2 | 169.1 | 297.1 | |
| | | 140 | 15 | 4.0 | 11.2 | 31.9 | 45.3 | 16.3 | 41.9 | 59.6 | 76.1 | 133.8 | 200.2 | 351.1 | |
| | | 180 | | 4.1 | 11.4 | 32.5 | 46.1 | 16.8 | 43.1 | 61.3 | 78.2 | 137.6 | 205.9 | 361.1 | |
| | | 220 | | 4.1 | 11.6 | 33.2 | 47.0 | 17.1 | 44.0 | 62.6 | 79.9 | 140.6 | 210.3 | 368.8 | |
| 115°F 243.0 psig | | -40°F (5.5) | 140 | 10 | 2.4 | 6.8 | 19.3 | 27.1 | 9.9 | 25.2 | 35.7 | 45.5 | 80.3 | 119.9 | 210.7 |
| | | | 180 | | 2.5 | 6.9 | 19.6 | 27.5 | 10.1 | 25.8 | 36.5 | 46.5 | 82.2 | 122.7 | 215.7 |
| | | | 220 | | 2.5 | 7.0 | 20.0 | 28.1 | 10.3 | 26.3 | 37.2 | 47.5 | 83.9 | 125.2 | 220.0 |
| | | | 140 | 15 | 3.0 | 8.4 | 23.8 | 33.6 | 12.2 | 31.2 | 44.2 | 56.4 | 99.4 | 148.5 | 260.8 |
| | | | 180 | | 3.0 | 8.5 | 24.1 | 34.1 | 12.5 | 31.9 | 45.2 | 57.7 | 101.8 | 152.1 | 267.0 |
| | | | 220 | | 3.1 | 8.6 | 24.6 | 34.7 | 12.7 | 32.6 | 46.2 | 58.9 | 103.8 | 155.1 | 272.4 |
| | 0°F (35.2) | 10 | 140 | 2.6 | 7.3 | 20.7 | 29.2 | 10.6 | 27.1 | 38.3 | 48.8 | 86.3 | 128.8 | 226.3 | |
| | | | 180 | 2.6 | 7.4 | 21.0 | 29.6 | 10.9 | 27.7 | 39.2 | 50.0 | 88.3 | 131.8 | 231.7 | |
| | | | 220 | 2.7 | 7.5 | 21.4 | 30.1 | 11.1 | 28.3 | 40.0 | 51.0 | 90.1 | 134.5 | 236.3 | |
| | | 140 | 15 | 3.2 | 9.0 | 25.5 | 36.1 | 13.1 | 33.5 | 47.4 | 60.5 | 106.7 | 159.5 | 279.9 | |
| | | 180 | | 3.2 | 9.1 | 25.9 | 36.6 | 13.4 | 34.3 | 48.6 | 62.0 | 109.3 | 163.3 | 286.6 | |
| | | 220 | | 3.3 | 9.3 | 26.4 | 37.3 | 13.6 | 35.0 | 49.5 | 63.2 | 111.5 | 166.6 | 292.4 | |
| | 40°F (87.8) | 10 | 140 | 2.8 | 7.7 | 22.0 | 30.9 | 11.3 | 28.7 | 40.6 | 51.8 | 91.6 | 136.7 | 240.2 | |
| | | | 180 | 2.8 | 7.8 | 22.3 | 31.4 | 11.5 | 29.4 | 41.6 | 53.0 | 93.7 | 139.9 | 245.9 | |
| | | | 220 | 2.9 | 8.0 | 22.8 | 32.0 | 11.8 | 30.0 | 42.4 | 54.1 | 95.6 | 142.7 | 250.8 | |
| | | 140 | 15 | 3.4 | 9.5 | 27.1 | 38.3 | 13.8 | 35.5 | 50.3 | 64.2 | 113.2 | 169.2 | 297.0 | |
| | | 180 | | 3.4 | 9.7 | 27.5 | 38.8 | 14.2 | 36.3 | 51.5 | 65.7 | 115.9 | 173.2 | 304.1 | |
| | | 220 | | 3.5 | 9.8 | 28.0 | 39.6 | 14.5 | 37.1 | 52.6 | 67.1 | 118.2 | 176.7 | 310.2 | |

Note: Shading is for readability purposes only.

Condenser Bypass Capacities - A9 & A8_0

A9 & A8_0 - Condenser Bypass Capacities (Kilowatts)

R-22

| Cond Temp °F Sat Pressure bar | Evaporator Temperature (Sat Pres) bar | Discharge Temp °C | Pressure Drop psi | A9 3/8" 9mm | A9 5/8" 15mm | A9 7/8" 22mm | A9 1-1/8" 28mm | A8AOE 3/8" 9mm | A8AOE 5/8" 15mm | A8AOE 7/8" 22mm | A810E 1-1/8" 28mm | A810E 1-3/8" 35mm | A820E 1-5/8" 42mm | A820E 2-1/8" 54mm |
|-------------------------------------|---|----------------------|-------------------------|-------------------|--------------------|--------------------|----------------------|----------------------|-----------------------|-----------------------|-------------------------|-------------------------|-------------------------|-------------------------|
| 25°C 9.2 bar | -40°C (0.4) | 60 | 0.7 | 12.9 | 36.1 | 103.0 | 145.7 | 52.6 | 135.1 | 191.7 | 244.7 | 431.1 | 644.4 | 1130.8 |
| | | 80 | | 13.1 | 36.8 | 104.9 | 148.4 | 53.6 | 137.6 | 195.2 | 249.2 | 438.9 | 656.2 | 1151.5 |
| | | 100 | | 13.4 | 37.5 | 107.0 | 151.3 | 54.7 | 140.3 | 199.1 | 254.1 | 447.6 | 669.1 | 1174.3 |
| | | 60 | 1 | 15.5 | 43.8 | 124.9 | 178.0 | 63.8 | 164.7 | 234.5 | 299.8 | 526.4 | 788.0 | 1380.7 |
| | | 80 | | 15.8 | 44.6 | 127.2 | 181.3 | 65.0 | 167.7 | 238.9 | 305.3 | 536.0 | 802.5 | 1406.1 |
| | | 100 | | 16.1 | 45.5 | 129.8 | 184.9 | 66.2 | 171.1 | 243.6 | 311.3 | 546.7 | 818.4 | 1434.0 |
| | -20°C (2.1) | 60 | 0.7 | 13.6 | 38.1 | 108.7 | 153.8 | 55.6 | 142.6 | 202.3 | 258.3 | 455.0 | 680.1 | 1193.5 |
| | | 80 | | 13.8 | 38.8 | 110.7 | 156.6 | 56.6 | 145.2 | 206.0 | 263.0 | 463.3 | 692.5 | 1215.4 |
| | | 100 | | 14.1 | 39.6 | 112.9 | 159.7 | 57.7 | 148.1 | 210.1 | 268.2 | 472.4 | 706.2 | 1239.4 |
| | | 60 | 1 | 16.4 | 46.2 | 131.8 | 187.8 | 67.3 | 173.8 | 247.4 | 316.2 | 555.3 | 831.3 | 1456.6 |
| | | 80 | | 16.7 | 47.1 | 134.2 | 191.3 | 68.5 | 177.0 | 252.0 | 322.0 | 565.5 | 846.6 | 1483.4 |
| | | 100 | | 17.0 | 48.0 | 136.9 | 195.1 | 69.9 | 180.5 | 257.0 | 328.4 | 576.7 | 863.4 | 1512.8 |
| | 0°C (5.2) | 60 | 0.7 | 14.2 | 40.0 | 113.9 | 161.1 | 58.2 | 149.4 | 211.9 | 270.5 | 476.5 | 712.3 | 1250.1 |
| | | 80 | | 14.5 | 40.7 | 116.0 | 164.0 | 59.3 | 152.1 | 215.8 | 275.5 | 485.2 | 725.4 | 1273.0 |
| | | 100 | | 14.8 | 41.5 | 118.3 | 167.3 | 60.4 | 155.1 | 220.1 | 280.9 | 494.8 | 739.7 | 1298.2 |
| | | 60 | 1 | 17.2 | 48.4 | 138.0 | 196.7 | 70.4 | 181.9 | 259.1 | 331.1 | 581.4 | 870.4 | 1525.1 |
| | | 80 | | 17.5 | 49.3 | 140.06 | 200.3 | 71.7 | 185.3 | 263.8 | 337.2 | 592.1 | 886.4 | 1553.1 |
| | | 100 | | 17.8 | 50.2 | 143.3 | 204.2 | 73.2 | 189.0 | 269.1 | 343.9 | 603.8 | 904.0 | 1583.9 |
| 30°C 10.9 bar | -40°C (0.4) | 60 | 0.7 | 11.6 | 32.6 | 92.9 | 131.1 | 47.5 | 121.6 | 172.4 | 220.0 | 387.9 | 579.7 | 1017.7 |
| | | 80 | | 11.8 | 33.2 | 94.5 | 133.4 | 48.3 | 123.8 | 175.5 | 223.9 | 394.8 | 589.9 | 1035.7 |
| | | 100 | | 12.1 | 33.8 | 96.4 | 136.0 | 49.2 | 126.2 | 178.9 | 228.2 | 402.4 | 601.3 | 1055.8 |
| | | 60 | 1 | 14.0 | 39.4 | 112.2 | 159.4 | 57.3 | 147.6 | 209.9 | 268.2 | 471.5 | 705.4 | 1236.8 |
| | | 80 | | 14.2 | 40.1 | 114.2 | 162.3 | 58.3 | 150.3 | 213.6 | 272.9 | 479.9 | 717.9 | 1258.8 |
| | | 100 | | 14.5 | 40.8 | 116.5 | 165.4 | 59.5 | 153.2 | 217.8 | 278.2 | 489.2 | 731.9 | 1283.2 |
| | -20°C (2.1) | 60 | 0.7 | 12.3 | 34.5 | 98.2 | 138.7 | 50.2 | 128.7 | 182.4 | 232.7 | 410.3 | 613.1 | 1076.5 |
| | | 80 | | 12.5 | 35.1 | 100.0 | 141.2 | 51.1 | 130.9 | 185.6 | 236.8 | 417.6 | 623.9 | 1095.5 |
| | | 100 | | 12.8 | 35.8 | 101.9 | 143.9 | 52.1 | 133.5 | 189.2 | 241.4 | 425.7 | 636.1 | 1116.7 |
| | | 60 | 1 | 14.8 | 41.6 | 118.7 | 168.6 | 60.6 | 156.1 | 222.0 | 283.5 | 498.5 | 745.9 | 1307.7 |
| | | 80 | | 15.1 | 42.3 | 120.8 | 171.6 | 61.7 | 158.9 | 225.9 | 288.5 | 507.3 | 759.1 | 1330.9 |
| | | 100 | | 15.3 | 43.2 | 123.1 | 174.9 | 62.9 | 162.0 | 230.3 | 294.1 | 517.2 | 773.8 | 1356.8 |
| | 0°C (5.2) | 60 | 0.7 | 12.9 | 36.2 | 103.1 | 145.5 | 52.7 | 135.0 | 191.4 | 244.2 | 430.5 | 643.3 | 1129.5 |
| | | 80 | | 13.1 | 36.8 | 104.9 | 148.1 | 53.6 | 137.4 | 194.8 | 248.5 | 438.1 | 654.7 | 1149.5 |
| | | 100 | | 13.4 | 37.5 | 107.0 | 151.0 | 54.7 | 140.1 | 198.5 | 253.3 | 446.6 | 667.4 | 1171.8 |
| | | 60 | 1 | 15.5 | 43.6 | 124.5 | 176.8 | 63.6 | 163.7 | 232.8 | 297.4 | 522.9 | 782.3 | 1371.6 |
| | | 80 | | 15.8 | 44.4 | 126.7 | 180.0 | 64.7 | 166.6 | 236.9 | 302.6 | 532.2 | 796.2 | 1395.9 |
| | | 100 | | 16.1 | 45.3 | 129.1 | 183.5 | 66.0 | 169.9 | 241.5 | 308.5 | 542.5 | 811.7 | 1423.1 |
| 35°C 12.6 bar | -40°C (0.4) | 60 | 0.7 | 10.6 | 29.7 | 84.6 | 119.3 | 43.3 | 110.7 | 156.8 | 200.0 | 352.9 | 527.2 | 925.9 |
| | | 80 | | 10.8 | 30.2 | 86.1 | 121.3 | 44.0 | 112.6 | 159.4 | 203.4 | 358.9 | 536.0 | 941.5 |
| | | 100 | | 11.0 | 30.8 | 87.7 | 123.6 | 44.8 | 114.7 | 162.5 | 207.2 | 365.5 | 546.2 | 959.3 |
| | | 60 | 1 | 12.7 | 35.8 | 102.0 | 144.6 | 52.1 | 134.0 | 190.3 | 243.0 | 427.6 | 639.5 | 1121.8 |
| | | 80 | | 13.0 | 36.4 | 103.8 | 147.0 | 53.0 | 136.2 | 193.5 | 247.1 | 434.9 | 650.3 | 1140.8 |
| | | 100 | | 13.2 | 37.1 | 105.7 | 149.8 | 54.0 | 138.8 | 197.2 | 251.7 | 443.1 | 662.6 | 1162.4 |
| | -20°C (2.1) | 60 | 0.7 | 11.2 | 31.5 | 89.7 | 126.5 | 45.9 | 117.4 | 166.3 | 212.1 | 374.2 | 559.0 | 981.8 |
| | | 80 | | 11.4 | 32.0 | 91.3 | 128.6 | 46.6 | 119.4 | 169.1 | 215.7 | 380.5 | 568.4 | 998.3 |
| | | 100 | | 11.7 | 32.6 | 93.0 | 131.0 | 47.5 | 121.6 | 172.3 | 219.7 | 387.7 | 579.1 | 1017.1 |
| | | 60 | 1 | 13.5 | 37.9 | 108.1 | 153.2 | 55.2 | 142.0 | 201.7 | 257.5 | 453.2 | 677.8 | 1188.9 |
| | | 80 | | 13.7 | 38.6 | 110.0 | 155.8 | 56.2 | 144.4 | 205.1 | 261.8 | 460.9 | 689.2 | 1209.0 |
| | | 100 | | 14.0 | 39.3 | 112.1 | 158.8 | 57.2 | 147.1 | 209.0 | 266.8 | 469.6 | 702.3 | 1232.0 |
| | 0°C (5.2) | 60 | 0.7 | 11.8 | 33.1 | 94.3 | 133.0 | 48.2 | 123.4 | 174.8 | 223.0 | 393.4 | 587.7 | 1032.2 |
| | | 80 | | 12.0 | 33.7 | 95.9 | 135.2 | 49.0 | 125.5 | 177.7 | 226.7 | 400.0 | 597.5 | 1049.5 |
| | | 100 | | 12.2 | 34.3 | 97.8 | 137.8 | 50.0 | 127.9 | 181.1 | 231.0 | 407.6 | 608.8 | 1069.3 |
| | | 60 | 1 | 14.2 | 39.9 | 113.6 | 161.1 | 58.0 | 149.2 | 211.9 | 270.6 | 476.3 | 712.3 | 1249.5 |
| | | 80 | | 14.4 | 40.5 | 115.6 | 163.8 | 59.0 | 151.8 | 215.5 | 275.2 | 484.4 | 724.3 | 1270.6 |
| | | 100 | | 14.7 | 41.3 | 117.8 | 166.9 | 60.2 | 154.6 | 219.6 | 280.4 | 493.5 | 738.0 | 1294.7 |

Note: Shading is for readability purposes only.

Condenser Bypass Capacities - A9 & A8_0

A9 and A8_0 – Condenser Bypass Capacities (Tons)

R-134a

| Cond Temp °F Sat Pressure psig | Evaporator Temperature (Sat Pres) psig | Discharge Temp °F | Pressure Drop psi | A9 3/8" 9mm | A9 5/8" 15mm | A9 7/8" 22mm | A9 1-1/8" 28mm | A8AOE 3/8" 9mm | A8AOE 5/8" 15mm | A8AOE 7/8" 22mm | A810E 1-1/8" 28mm | A810E 1-3/8" 35mm | A820E 1-5/8" 42mm | A820E 2-1/8" 54mm | |
|--------------------------------------|--|----------------------|-------------------------|-------------------|--------------------|--------------------|----------------------|----------------------|-----------------------|-----------------------|-------------------------|-------------------------|-------------------------|-------------------------|-------|
| 75°F 78.6 psig | -40°F (5.5) | 140 | 10 | 2.4 | 6.9 | 19.6 | 28.0 | 10.0 | 25.9 | 36.9 | 47.2 | 82.8 | 124.0 | 217.1 | |
| | | | | 180 | 2.5 | 7.1 | 20.3 | 29.1 | 10.6 | 27.4 | 39.0 | 49.9 | 87.5 | 131.1 | 229.5 |
| | | | | 220 | 2.6 | 7.4 | 21.1 | 30.2 | 11.0 | 28.4 | 40.5 | 51.8 | 90.8 | 136.1 | 238.3 |
| | | 180 | 15 | 3.0 | 8.6 | 24.5 | 35.6 | 12.5 | 32.7 | 47.0 | 60.3 | 105.1 | 157.9 | 275.5 | |
| | | | | 140 | 3.1 | 8.9 | 25.4 | 36.9 | 13.2 | 34.6 | 49.7 | 63.8 | 111.1 | 166.9 | 291.2 |
| | | | | 220 | 3.2 | 9.2 | 26.4 | 38.3 | 13.7 | 35.9 | 51.6 | 66.2 | 115.3 | 173.2 | 302.3 |
| | 0°F (35.2) | 140 | 10 | 2.7 | 7.5 | 21.4 | 30.7 | 10.9 | 28.3 | 40.4 | 51.7 | 90.7 | 135.8 | 237.8 | |
| | | | | 180 | 2.8 | 7.8 | 22.2 | 31.8 | 11.6 | 30.0 | 42.7 | 54.7 | 95.8 | 143.6 | 251.4 |
| | | | | 220 | 2.9 | 8.1 | 23.1 | 33.0 | 12.0 | 31.1 | 44.4 | 56.8 | 99.5 | 149.1 | 260.9 |
| | | 180 | 15 | 3.3 | 9.4 | 26.8 | 38.9 | 13.6 | 35.8 | 51.4 | 66.0 | 114.9 | 172.6 | 301.2 | |
| | | | | 140 | 3.4 | 9.7 | 27.8 | 40.4 | 14.4 | 37.8 | 54.4 | 69.7 | 121.4 | 182.5 | 318.4 |
| | | | | 220 | 3.5 | 10.1 | 28.8 | 41.9 | 15.0 | 39.3 | 56.4 | 72.4 | 126.0 | 189.4 | 330.5 |
| | 40°F (87.8) | 140 | 10 | 2.9 | 8.1 | 23.2 | 33.2 | 11.9 | 30.7 | 43.8 | 56.0 | 98.2 | 147.2 | 257.7 | |
| | | | | 180 | 3.0 | 8.4 | 24.1 | 34.5 | 12.5 | 32.5 | 46.3 | 59.2 | 103.8 | 155.6 | 272.4 |
| | | | | 220 | 3.1 | 8.8 | 25.0 | 35.8 | 13.0 | 33.7 | 48.1 | 61.5 | 107.8 | 161.5 | 282.7 |
| | | 180 | 15 | 3.6 | 10.1 | 29.0 | 42.1 | 14.7 | 38.7 | 55.7 | 71.4 | 124.3 | 186.8 | 325.9 | |
| | | | | 140 | 3.7 | 10.5 | 30.1 | 43.7 | 15.6 | 40.9 | 58.8 | 75.5 | 131.4 | 197.5 | 344.5 |
| | | | | 220 | 3.8 | 10.9 | 31.2 | 45.3 | 16.2 | 42.5 | 61.1 | 78.3 | 136.4 | 205.0 | 357.6 |
| 95°F 113.8 psig | -40°F (5.5) | 140 | 10 | 2.0 | 5.5 | 15.8 | 22.4 | 8.0 | 20.7 | 29.5 | 37.6 | 66.2 | 99.0 | 173.6 | |
| | | | | 180 | 2.0 | 5.7 | 16.3 | 23.2 | 8.5 | 21.9 | 31.1 | 39.7 | 69.8 | 104.4 | 183.1 |
| | | | | 220 | 2.1 | 5.9 | 16.9 | 24.0 | 8.8 | 22.7 | 32.2 | 41.2 | 72.4 | 108.3 | 189.9 |
| | | 180 | 15 | 2.4 | 6.8 | 19.5 | 28.0 | 10.0 | 25.9 | 36.9 | 47.3 | 82.8 | 124.1 | 217.1 | |
| | | | | 140 | 2.5 | 7.1 | 20.2 | 29.0 | 10.5 | 27.3 | 39.0 | 49.9 | 87.3 | 130.9 | 229.0 |
| | | | | 220 | 2.6 | 7.3 | 21.0 | 30.1 | 10.9 | 28.3 | 40.4 | 51.7 | 90.6 | 135.8 | 237.5 |
| | 0°F (35.2) | 140 | 10 | 2.2 | 6.1 | 17.5 | 24.8 | 8.9 | 22.9 | 32.6 | 41.7 | 73.3 | 109.6 | 192.2 | |
| | | | | 180 | 2.3 | 6.3 | 18.1 | 25.7 | 9.4 | 24.2 | 34.4 | 43.9 | 77.3 | 115.6 | 202.7 |
| | | | | 220 | 2.3 | 6.6 | 18.7 | 26.6 | 9.8 | 25.1 | 35.7 | 45.6 | 80.2 | 119.9 | 210.3 |
| | | 180 | 15 | 2.7 | 7.6 | 21.6 | 31.0 | 11.0 | 28.6 | 40.8 | 52.3 | 91.5 | 137.2 | 240.0 | |
| | | | | 140 | 2.8 | 7.8 | 22.4 | 32.1 | 11.6 | 30.2 | 43.1 | 55.1 | 96.5 | 144.7 | 253.2 |
| | | | | 220 | 2.9 | 8.1 | 23.2 | 33.3 | 12.0 | 31.3 | 44.7 | 57.2 | 100.1 | 150.1 | 262.6 |
| | 40°F (87.8) | 140 | 10 | 2.4 | 6.7 | 19.1 | 27.1 | 9.7 | 25.1 | 35.7 | 45.5 | 80.1 | 119.8 | 210.1 | |
| | | | | 180 | 2.5 | 6.9 | 19.8 | 28.1 | 10.3 | 26.5 | 37.6 | 48.0 | 84.5 | 126.4 | 221.6 |
| | | | | 220 | 2.6 | 7.2 | 20.5 | 29.1 | 10.7 | 27.4 | 39.0 | 49.8 | 87.6 | 131.1 | 229.9 |
| | | 180 | 15 | 2.9 | 8.3 | 23.6 | 33.8 | 12.0 | 31.2 | 44.6 | 57.1 | 99.9 | 149.8 | 262.0 | |
| | | | | 140 | 3.0 | 8.5 | 24.4 | 35.0 | 12.7 | 32.9 | 47.1 | 60.2 | 105.4 | 158.0 | 276.4 |
| | | | | 220 | 3.1 | 8.9 | 25.3 | 36.3 | 13.2 | 34.2 | 48.8 | 62.4 | 109.3 | 163.9 | 286.7 |
| 115°F 158.4 psig | -40°F (5.5) | 140 | 10 | 1.6 | 4.6 | 13.0 | 18.4 | 6.6 | 17.0 | 24.2 | 30.8 | 54.3 | 81.2 | 142.6 | |
| | | | | 180 | 1.7 | 4.7 | 13.4 | 19.0 | 7.0 | 17.9 | 25.4 | 32.4 | 57.1 | 85.3 | 149.8 |
| | | | | 220 | 1.7 | 4.9 | 13.9 | 19.6 | 7.2 | 18.5 | 26.3 | 33.5 | 59.1 | 88.4 | 155.1 |
| | | 180 | 15 | 2.0 | 5.6 | 16.1 | 22.9 | 8.2 | 21.2 | 30.1 | 38.5 | 67.6 | 101.2 | 177.4 | |
| | | | | 140 | 2.1 | 5.8 | 16.6 | 23.6 | 8.6 | 22.2 | 31.7 | 40.4 | 71.1 | 106.4 | 186.4 |
| | | | | 220 | 2.1 | 6.0 | 17.2 | 24.5 | 8.9 | 23.0 | 32.8 | 41.9 | 73.6 | 110.2 | 193.1 |
| | 0°F (35.2) | 140 | 10 | 1.8 | 5.1 | 14.6 | 20.6 | 7.5 | 19.1 | 27.1 | 34.6 | 61.1 | 91.2 | 160.2 | |
| | | | | 180 | 1.9 | 5.3 | 15.1 | 21.3 | 7.8 | 20.1 | 28.5 | 36.4 | 64.1 | 95.8 | 168.3 |
| | | | | 220 | 2.0 | 5.5 | 15.6 | 22.1 | 8.1 | 20.8 | 29.5 | 37.7 | 66.4 | 99.3 | 174.3 |
| | | 180 | 15 | 2.2 | 6.3 | 18.0 | 25.7 | 9.2 | 23.7 | 33.8 | 43.2 | 75.9 | 113.5 | 199.0 | |
| | | | | 140 | 2.3 | 6.5 | 18.6 | 26.5 | 9.7 | 24.9 | 35.5 | 45.4 | 79.7 | 119.3 | 209.1 |
| | | | | 220 | 2.4 | 6.8 | 19.3 | 27.4 | 10.0 | 25.8 | 36.8 | 47.0 | 82.6 | 123.6 | 216.6 |
| | 40°F (87.8) | 140 | 10 | 2.0 | 5.7 | 16.2 | 22.8 | 8.3 | 21.2 | 30.0 | 38.3 | 67.5 | 100.9 | 177.1 | |
| | | | | 180 | 2.1 | 5.9 | 16.7 | 23.6 | 8.7 | 22.2 | 31.5 | 40.2 | 70.9 | 106.0 | 186.1 |
| | | | | 220 | 2.2 | 6.1 | 17.3 | 24.4 | 9.0 | 23.0 | 32.7 | 41.7 | 73.5 | 109.8 | 192.7 |
| | | 180 | 15 | 2.5 | 7.0 | 19.9 | 28.3 | 10.2 | 26.2 | 37.3 | 47.7 | 83.8 | 125.4 | 219.7 | |
| | | | | 140 | 2.6 | 7.2 | 20.6 | 29.3 | 10.7 | 27.6 | 39.2 | 50.1 | 88.0 | 131.7 | 230.9 |
| | | | | 220 | 2.7 | 7.5 | 21.3 | 30.3 | 11.1 | 28.5 | 40.6 | 51.9 | 91.2 | 136.5 | 239.2 |

Note: Shading is for readability purposes only.

Condenser Bypass Capacities - A9 & A8_0

A9 & A8_0 - Condenser Bypass Capacities (Kilowatts)

R-134a

| Cond Temp °F Sat Pressure bar | Evaporator Temperature (Sat Pres) bar | Discharge Temp °C | Pressure Drop psi | A9 3/8" 9mm | A9 5/8" 15mm | A9 7/8" 22mm | A9 1-1/8" 28mm | A8AOE 3/8" 9mm | A8AOE 5/8" 15mm | A8AOE 7/8" 22mm | A810E 1-1/8" 28mm | A810E 1-3/8" 35mm | A820E 1-5/8" 42mm | A820E 2-1/8" 54mm |
|-------------------------------------|---|----------------------|-------------------------|-------------------|--------------------|--------------------|----------------------|----------------------|-----------------------|-----------------------|-------------------------|-------------------------|-------------------------|-------------------------|
| 25°C 5.5 bar | -40°C (0.4) | 60 | 0.7 | 8.9 | 25.1 | 71.6 | 102.3 | 36.5 | 94.6 | 134.9 | 172.5 | 302.5 | 453.1 | 793.3 |
| | | 80 | | 9.2 | 25.9 | 74.0 | 105.9 | 37.8 | 97.8 | 139.6 | 178.5 | 312.9 | 468.8 | 820.7 |
| | | 100 | | 9.5 | 26.8 | 76.6 | 109.6 | 39.1 | 101.3 | 144.4 | 184.7 | 323.8 | 485.1 | 849.4 |
| | | 60 | 1 | 10.7 | 30.5 | 87.3 | 126.4 | 44.5 | 116.4 | 167.1 | 214.1 | 373.4 | 560.8 | 979.1 |
| | | 80 | | 11.1 | 31.6 | 90.3 | 130.8 | 46.0 | 120.4 | 172.9 | 221.6 | 386.3 | 580.2 | 1013.0 |
| | | 100 | | 11.5 | 32.7 | 93.4 | 135.4 | 47.6 | 124.6 | 178.9 | 229.3 | 399.8 | 600.5 | 1048.4 |
| | -20°C (2.1) | 60 | 0.7 | 9.6 | 27.2 | 77.8 | 111.2 | 39.7 | 102.8 | 146.6 | 187.5 | 328.7 | 492.4 | 862.0 |
| | | 80 | | 10.0 | 28.2 | 80.4 | 115.0 | 41.0 | 106.3 | 151.7 | 193.9 | 340.0 | 509.4 | 891.9 |
| | | 100 | | 10.3 | 29.2 | 83.3 | 119.0 | 42.5 | 110.0 | 156.9 | 200.7 | 351.9 | 527.2 | 923.0 |
| | | 60 | 1 | 11.6 | 33.1 | 94.7 | 137.2 | 48.2 | 126.3 | 181.3 | 232.4 | 405.2 | 608.6 | 1062.6 |
| | | 80 | | 12.1 | 34.3 | 98.0 | 142.0 | 49.9 | 130.7 | 187.6 | 240.4 | 419.3 | 629.7 | 1099.4 |
| | | 100 | | 12.5 | 35.5 | 101.4 | 146.9 | 51.7 | 135.3 | 194.2 | 248.8 | 433.9 | 651.7 | 1137.8 |
| | 0°C (5.2) | 60 | 0.7 | 10.4 | 29.3 | 83.7 | 119.8 | 42.7 | 110.7 | 157.9 | 201.9 | 354.0 | 530.3 | 928.5 |
| | | 80 | | 10.8 | 30.4 | 86.6 | 123.9 | 44.2 | 114.5 | 163.3 | 208.9 | 366.2 | 548.7 | 960.6 |
| | | 100 | | 11.1 | 31.4 | 89.7 | 128.2 | 45.8 | 118.5 | 169.0 | 216.2 | 379.0 | 567.8 | 994.1 |
| | | 60 | 1 | 12.5 | 35.6 | 101.9 | 147.6 | 51.9 | 135.9 | 195.1 | 250.1 | 436.0 | 654.9 | 1143.3 |
| | | 80 | | 13.0 | 36.9 | 105.4 | 152.7 | 53.7 | 140.6 | 201.9 | 258.7 | 451.1 | 677.5 | 1182.9 |
| | | 100 | | 13.4 | 38.2 | 109.1 | 158.1 | 55.6 | 145.6 | 208.9 | 267.7 | 466.9 | 701.2 | 1224.2 |
| 30°C 6.7 bar | -40°C (0.4) | 60 | 0.7 | 8.0 | 22.5 | 64.1 | 91.3 | 32.7 | 84.4 | 120.2 | 153.7 | 269.8 | 404.0 | 707.8 |
| | | 80 | | 8.2 | 23.2 | 66.2 | 94.4 | 33.8 | 87.3 | 124.3 | 158.9 | 279.0 | 417.7 | 731.9 |
| | | 100 | | 8.5 | 24.0 | 68.5 | 97.6 | 35.0 | 90.3 | 128.6 | 164.4 | 288.7 | 432.1 | 757.2 |
| | | 60 | 1 | 9.6 | 27.2 | 77.7 | 111.9 | 39.6 | 103.2 | 147.7 | 189.2 | 330.6 | 496.0 | 867.1 |
| | | 80 | | 9.9 | 28.1 | 80.4 | 115.7 | 41.0 | 106.7 | 152.8 | 195.6 | 341.9 | 512.9 | 896.7 |
| | | 100 | | 10.3 | 29.1 | 83.1 | 119.7 | 42.4 | 110.4 | 158.1 | 202.4 | 353.7 | 530.7 | 927.7 |
| | -20°C (2.1) | 60 | 0.7 | 8.7 | 24.5 | 69.9 | 99.6 | 35.7 | 92.2 | 131.2 | 167.7 | 294.5 | 440.9 | 772.5 |
| | | 80 | | 9.0 | 25.3 | 72.3 | 103.0 | 36.9 | 95.3 | 135.7 | 173.4 | 304.5 | 455.9 | 798.8 |
| | | 100 | | 9.3 | 26.2 | 74.8 | 106.6 | 38.2 | 98.6 | 140.4 | 179.4 | 315.0 | 471.6 | 826.4 |
| | | 60 | 1 | 10.5 | 29.6 | 84.7 | 122.0 | 43.2 | 112.5 | 161.0 | 206.2 | 360.4 | 540.7 | 945.2 |
| | | 80 | | 10.8 | 30.7 | 87.6 | 126.1 | 44.7 | 116.3 | 166.5 | 213.2 | 372.7 | 559.1 | 977.4 |
| | | 100 | | 11.2 | 31.7 | 90.6 | 130.5 | 46.2 | 120.4 | 172.3 | 220.6 | 385.6 | 578.4 | 1011.2 |
| | 0°C (5.2) | 60 | 0.7 | 9.4 | 26.5 | 75.6 | 107.7 | 38.6 | 99.6 | 141.8 | 181.3 | 318.3 | 476.6 | 835.0 |
| | | 80 | | 9.7 | 27.4 | 78.2 | 111.3 | 39.9 | 103.0 | 146.7 | 187.4 | 329.2 | 492.8 | 863.4 |
| | | 100 | | 10.1 | 28.3 | 80.9 | 115.2 | 41.3 | 106.6 | 151.7 | 193.9 | 340.5 | 509.8 | 893.3 |
| | | 60 | 1 | 11.3 | 32.0 | 91.5 | 131.7 | 46.6 | 121.5 | 173.9 | 222.6 | 389.2 | 583.9 | 1020.7 |
| | | 80 | | 11.7 | 33.1 | 94.6 | 136.2 | 48.2 | 125.6 | 179.8 | 230.2 | 402.4 | 603.8 | 1055.4 |
| | | 100 | | 12.1 | 34.3 | 97.9 | 140.9 | 49.9 | 130.0 | 186.0 | 238.2 | 416.4 | 624.6 | 1091.9 |
| 35°C 7.8 bar | -40°C (0.4) | 60 | 0.7 | 7.2 | 20.3 | 58.0 | 82.4 | 29.6 | 76.3 | 108.4 | 138.5 | 243.5 | 364.3 | 638.8 |
| | | 80 | | 7.5 | 21.0 | 59.9 | 85.1 | 30.6 | 78.8 | 112.0 | 143.1 | 251.6 | 376.4 | 660.1 |
| | | 100 | | 7.7 | 21.7 | 62.0 | 88.0 | 31.6 | 81.5 | 115.8 | 148.0 | 260.2 | 389.3 | 682.6 |
| | | 60 | 1 | 8.7 | 24.6 | 70.1 | 100.5 | 35.8 | 92.8 | 132.5 | 169.6 | 297.0 | 445.1 | 778.9 |
| | | 80 | | 9.0 | 25.4 | 72.4 | 103.8 | 37.0 | 95.9 | 137.0 | 175.2 | 306.9 | 460.0 | 804.9 |
| | | 100 | | 9.3 | 26.2 | 74.9 | 107.4 | 38.2 | 99.2 | 141.6 | 181.2 | 317.3 | 475.6 | 832.3 |
| | -20°C (2.1) | 60 | 0.7 | 7.9 | 22.3 | 63.6 | 90.3 | 32.5 | 83.6 | 118.9 | 151.9 | 267.1 | 399.6 | 700.6 |
| | | 80 | | 8.2 | 23.0 | 65.7 | 93.3 | 33.6 | 86.4 | 122.9 | 156.9 | 276.0 | 412.8 | 723.9 |
| | | 100 | | 8.5 | 23.8 | 68.0 | 96.5 | 34.7 | 89.4 | 127.0 | 162.3 | 285.4 | 426.9 | 748.6 |
| | | 60 | 1 | 9.5 | 26.9 | 76.8 | 110.1 | 39.2 | 101.7 | 145.2 | 185.7 | 325.3 | 487.6 | 853.2 |
| | | 80 | | 9.8 | 27.8 | 79.4 | 113.7 | 40.5 | 105.1 | 150.0 | 191.9 | 336.1 | 503.8 | 881.6 |
| | | 100 | | 10.2 | 28.7 | 82.1 | 117.6 | 41.9 | 108.6 | 155.1 | 198.4 | 347.6 | 521.0 | 911.7 |
| | 0°C (5.2) | 60 | 0.7 | 8.6 | 24.2 | 69.0 | 98.0 | 35.2 | 90.8 | 129.0 | 164.8 | 289.9 | 433.6 | 760.3 |
| | | 80 | | 8.9 | 25.0 | 71.3 | 101.3 | 36.4 | 93.8 | 133.3 | 170.3 | 299.5 | 448.0 | 785.6 |
| | | 100 | | 9.2 | 25.9 | 73.7 | 104.7 | 37.7 | 97.0 | 137.9 | 176.1 | 309.7 | 463.3 | 812.4 |
| | | 60 | 1 | 10.3 | 29.2 | 83.3 | 119.3 | 42.5 | 110.2 | 157.4 | 201.3 | 352.7 | 528.6 | 925.0 |
| | | 80 | | 10.7 | 30.1 | 86.0 | 123.3 | 43.9 | 113.9 | 162.6 | 208.0 | 364.4 | 546.2 | 955.8 |
| | | 100 | | 11.0 | 31.2 | 89.0 | 127.5 | 45.4 | 117.8 | 168.2 | 215.1 | 376.8 | 564.8 | 988.4 |

Note: Shading is for readability purposes only.

Condenser Bypass Capacities - A9 & A8_0

A9 and A8_0 - Condenser Bypass Capacities (Tons)

R-404A

| Cond Temp °F Sat Pressure psig | Evaporator Temperature (Sat Pres) psig | Discharge Temp °F | Pressure Drop psi | A9 3/8" 9mm | A9 5/8" 15mm | A9 7/8" 22mm | A9 1-1/8" 28mm | A8AOE 3/8" 9mm | A8AOE 5/8" 15mm | A8AOE 7/8" 22mm | A810E 1-1/8" 28mm | A810E 1-3/8" 35mm | A820E 1-5/8" 42mm | A820E 2-1/8" 54mm | |
|--------------------------------------|--|----------------------|-------------------------|-------------------|--------------------|--------------------|----------------------|----------------------|-----------------------|-----------------------|-------------------------|-------------------------|-------------------------|-------------------------|-------|
| 75°F 161.2 psig | -40°F (5.5) | 140 | 10 | 2.2 | 6.2 | 17.7 | 25.0 | 9.1 | 23.2 | 32.9 | 42.0 | 74.0 | 110.6 | 194.2 | |
| | | 180 | | 2.3 | 6.5 | 18.5 | 26.1 | 9.6 | 24.7 | 35.0 | 44.7 | 78.7 | 117.6 | 206.5 | |
| | | 220 | | 2.4 | 6.8 | 19.2 | 27.2 | 10.0 | 25.7 | 36.5 | 46.6 | 82.1 | 122.7 | 215.3 | |
| | | 140 | 15 | 2.8 | 7.8 | 22.2 | 31.5 | 11.3 | 29.2 | 41.5 | 53.0 | 93.2 | 139.5 | 244.5 | |
| | | 180 | | 2.9 | 8.1 | 23.1 | 32.8 | 12.0 | 31.0 | 44.2 | 56.4 | 99.1 | 148.4 | 260.1 | |
| | | 220 | | 3.0 | 8.4 | 24.1 | 34.2 | 12.5 | 32.4 | 46.0 | 58.8 | 103.4 | 154.7 | 271.2 | |
| | 0°F (35.2) | 10 | 140 | 2.5 | 7.0 | 19.9 | 28.1 | 10.2 | 26.1 | 37.0 | 47.2 | 83.2 | 124.4 | 218.3 | |
| | | | 180 | 2.6 | 7.3 | 20.8 | 29.3 | 10.8 | 27.8 | 39.3 | 50.2 | 88.5 | 132.2 | 232.2 | |
| | | | 220 | 2.7 | 7.6 | 21.6 | 30.5 | 11.3 | 28.9 | 41.0 | 52.3 | 92.3 | 137.9 | 242.1 | |
| | | 140 | 15 | 3.1 | 8.7 | 24.9 | 35.4 | 12.7 | 32.8 | 46.6 | 59.5 | 104.6 | 156.6 | 274.4 | |
| | | 180 | | 3.2 | 9.1 | 25.9 | 36.9 | 13.5 | 34.8 | 49.6 | 63.3 | 111.3 | 166.5 | 291.9 | |
| | | 220 | | 3.4 | 9.5 | 27.0 | 38.4 | 14.1 | 36.3 | 51.7 | 66.0 | 116.0 | 173.6 | 304.3 | |
| | 40°F (87.8) | 10 | 140 | 2.7 | 7.7 | 21.9 | 31.0 | 11.2 | 28.7 | 40.8 | 52.0 | 91.7 | 137.0 | 240.5 | |
| | | | 180 | 2.9 | 8.0 | 22.9 | 32.3 | 11.9 | 30.6 | 43.3 | 55.3 | 97.5 | 145.7 | 255.8 | |
| | | | 220 | 3.0 | 8.4 | 23.8 | 33.7 | 12.4 | 31.9 | 45.2 | 57.7 | 101.7 | 151.9 | 266.7 | |
| | | 140 | 15 | 3.4 | 9.6 | 27.4 | 38.9 | 14.0 | 36.0 | 51.3 | 65.5 | 115.1 | 172.3 | 302.0 | |
| | | 180 | | 3.6 | 10.0 | 28.5 | 40.6 | 14.9 | 38.3 | 54.5 | 69.7 | 122.4 | 183.2 | 321.1 | |
| | | 220 | | 3.7 | 10.4 | 29.7 | 42.3 | 15.5 | 40.0 | 56.9 | 72.6 | 127.7 | 191.0 | 334.9 | |
| | 95°F 219.4 psig | -40°F (5.5) | 140 | 10 | 1.6 | 4.6 | 13.0 | 18.4 | 6.7 | 17.0 | 24.1 | 30.8 | 54.3 | 81.1 | 142.5 |
| | | | 180 | | 1.7 | 4.8 | 13.5 | 19.0 | 7.1 | 18.0 | 25.5 | 32.5 | 57.4 | 85.8 | 150.7 |
| | | | 220 | | 1.8 | 4.9 | 14.1 | 19.8 | 7.3 | 18.8 | 26.6 | 33.9 | 59.8 | 89.3 | 156.9 |
| | | | 140 | 15 | 2.0 | 5.7 | 16.2 | 23.0 | 8.3 | 21.3 | 30.2 | 38.6 | 68.0 | 101.6 | 178.3 |
| | | | 180 | | 2.1 | 5.9 | 16.9 | 23.8 | 8.8 | 22.5 | 32.0 | 40.8 | 71.9 | 107.5 | 188.6 |
| | | | 220 | | 2.2 | 6.2 | 17.5 | 24.8 | 9.1 | 23.5 | 33.3 | 42.5 | 74.8 | 111.9 | 196.3 |
| 0°F (35.2) | | 10 | 140 | 1.9 | 5.3 | 15.0 | 21.1 | 7.7 | 19.6 | 27.7 | 35.3 | 62.4 | 93.2 | 163.7 | |
| | | | 180 | 2.0 | 5.5 | 15.5 | 21.9 | 8.1 | 20.7 | 29.3 | 37.4 | 66.0 | 98.5 | 173.2 | |
| | | | 220 | 2.0 | 5.7 | 16.2 | 22.8 | 8.4 | 21.6 | 30.5 | 38.9 | 68.7 | 102.6 | 180.2 | |
| | | 140 | 15 | 2.3 | 6.5 | 18.6 | 26.3 | 9.5 | 24.4 | 34.7 | 44.2 | 77.9 | 116.5 | 204.4 | |
| | | 180 | | 2.4 | 6.8 | 19.3 | 27.3 | 10.1 | 25.8 | 36.7 | 46.8 | 82.4 | 123.2 | 216.3 | |
| | | 220 | | 2.5 | 7.1 | 20.1 | 28.4 | 10.5 | 26.9 | 38.2 | 48.7 | 85.8 | 128.3 | 225.1 | |
| 40°F (87.8) | | 10 | 140 | 2.1 | 5.9 | 16.8 | 23.6 | 8.6 | 21.9 | 31.0 | 39.5 | 69.8 | 104.3 | 183.2 | |
| | | | 180 | 2.2 | 6.1 | 17.4 | 24.5 | 9.1 | 23.2 | 32.8 | 41.8 | 73.9 | 110.3 | 193.8 | |
| | | | 220 | 2.3 | 6.4 | 18.1 | 25.5 | 9.4 | 24.1 | 34.1 | 43.5 | 76.9 | 114.8 | 201.7 | |
| | | 140 | 15 | 2.6 | 7.3 | 20.8 | 29.4 | 10.6 | 27.3 | 38.7 | 49.4 | 87.1 | 130.2 | 228.5 | |
| | | 180 | | 2.7 | 7.6 | 21.6 | 30.5 | 11.2 | 28.9 | 41.0 | 52.3 | 92.1 | 137.7 | 241.7 | |
| | | 220 | | 2.8 | 7.9 | 22.5 | 31.8 | 11.7 | 30.1 | 42.6 | 54.4 | 95.9 | 143.3 | 251.6 | |
| 115°F 290.4 psig | | -40°F (5.5) | 140 | 10 | 1.2 | 3.3 | 9.4 | 13.2 | 4.8 | 12.3 | 17.4 | 22.1 | 39.1 | 58.4 | 102.7 |
| | | | 180 | | 1.2 | 3.4 | 9.7 | 13.6 | 5.0 | 12.9 | 18.2 | 23.2 | 41.0 | 61.1 | 107.5 |
| | | | 220 | | 1.3 | 3.5 | 10.0 | 14.1 | 5.2 | 13.4 | 18.9 | 24.1 | 42.5 | 63.5 | 111.6 |
| | | | 140 | 15 | 1.5 | 4.1 | 11.7 | 16.5 | 6.0 | 15.4 | 21.8 | 27.7 | 49.0 | 73.1 | 128.4 |
| | | | 180 | | 1.5 | 4.2 | 12.1 | 17.0 | 6.3 | 16.1 | 22.8 | 29.1 | 51.3 | 76.6 | 134.5 |
| | | | 220 | | 1.6 | 4.4 | 12.5 | 17.6 | 6.5 | 16.7 | 23.6 | 30.2 | 53.2 | 79.5 | 139.6 |
| | 0°F (35.2) | 10 | 140 | 1.4 | 3.9 | 11.2 | 15.7 | 5.7 | 14.6 | 20.7 | 26.3 | 46.5 | 69.5 | 122.1 | |
| | | | 180 | 1.4 | 4.1 | 11.5 | 16.2 | 6.0 | 15.3 | 21.6 | 27.6 | 48.7 | 72.7 | 127.9 | |
| | | | 220 | 1.5 | 4.2 | 12.0 | 16.8 | 6.2 | 15.9 | 22.4 | 28.6 | 50.6 | 75.5 | 132.7 | |
| | | 140 | 15 | 1.7 | 4.9 | 13.9 | 19.6 | 7.1 | 18.2 | 25.8 | 32.9 | 58.1 | 86.8 | 152.4 | |
| | | 180 | | 1.8 | 5.0 | 14.3 | 20.2 | 7.5 | 19.1 | 27.0 | 34.5 | 60.8 | 90.8 | 159.6 | |
| | | 220 | | 1.9 | 5.2 | 14.9 | 20.9 | 7.7 | 19.8 | 28.0 | 35.8 | 63.1 | 94.3 | 165.6 | |
| | 40°F (87.8) | 10 | 140 | 1.6 | 4.5 | 12.9 | 18.0 | 6.6 | 16.8 | 23.7 | 30.2 | 53.4 | 79.7 | 140.1 | |
| | | | 180 | 1.7 | 4.6 | 13.2 | 18.6 | 6.9 | 17.5 | 24.8 | 31.6 | 55.9 | 83.4 | 146.6 | |
| | | | 220 | 1.7 | 4.8 | 13.7 | 19.2 | 7.1 | 18.2 | 25.7 | 32.8 | 58.0 | 86.6 | 152.2 | |
| | | 140 | 15 | 2.0 | 5.6 | 15.9 | 22.5 | 8.1 | 20.9 | 29.5 | 37.7 | 66.5 | 99.3 | 174.4 | |
| | | 180 | | 2.1 | 5.8 | 16.4 | 23.1 | 8.5 | 21.8 | 30.9 | 39.4 | 69.6 | 104.0 | 182.6 | |
| | | 220 | | 2.1 | 6.0 | 17.0 | 24.0 | 8.9 | 22.7 | 32.1 | 40.9 | 72.2 | 107.9 | 189.5 | |

Note: Shading is for readability purposes only.

Condenser Bypass Capacities - A9 & A8_0

A9 & A8_0 – Condenser Bypass Capacities (Kilowatts)

R-404A

| Cond Temp °C Sat Pressure bar | Evaporator Temperature (Sat Pres) bar | Discharge Temp °C | Pressure Drop psi | A9 3/8" 9mm | A9 5/8" 15mm | A9 7/8" 22mm | A9 1-1/8" 28mm | A8AOE 3/8" 9mm | A8AOE 5/8" 15mm | A8AOE 7/8" 22mm | A810E 1-1/8" 28mm | A810E 1-3/8" 35mm | A820E 1-5/8" 42mm | A820E 2-1/8" 54mm | |
|-------------------------------------|---|----------------------|-------------------------|-------------------|--------------------|--------------------|----------------------|----------------------|-----------------------|-----------------------|-------------------------|-------------------------|-------------------------|-------------------------|-------|
| 25°C 11.2 bar | -40°C (0.4) | 60 | 0.7 | 8.0 | 22.4 | 63.9 | 90.1 | 32.6 | 83.6 | 118.5 | 151.2 | 266.7 | 398.5 | 699.6 | |
| | | | | 80 | 8.3 | 23.3 | 66.3 | 93.6 | 33.9 | 86.8 | 123.1 | 157.0 | 276.9 | 413.7 | 726.4 |
| | | | | 100 | 8.6 | 24.2 | 68.9 | 97.3 | 35.2 | 90.2 | 127.9 | 163.2 | 287.7 | 429.9 | 754.8 |
| | | 80 | 1 | 9.7 | 27.3 | 77.8 | 110.5 | 39.7 | 102.4 | 145.5 | 185.9 | 326.9 | 489.1 | 857.5 | |
| | | | | 10.1 | 28.3 | 80.8 | 114.8 | 41.3 | 106.3 | 151.1 | 193.0 | 339.4 | 507.8 | 890.4 | |
| | | | | 10.5 | 29.4 | 84.0 | 119.3 | 42.9 | 110.4 | 157.0 | 200.6 | 352.7 | 527.7 | 925.2 | |
| | -20°C (2.1) | 60 | 0.7 | 8.9 | 25.0 | 71.1 | 100.4 | 36.4 | 93.2 | 132.1 | 168.5 | 297.1 | 443.9 | 779.4 | |
| | | | | 80 | 9.2 | 25.9 | 73.9 | 104.3 | 37.8 | 96.7 | 137.1 | 175.0 | 308.5 | 460.9 | 809.3 |
| | | | | 100 | 9.6 | 26.9 | 76.8 | 108.4 | 39.2 | 100.5 | 142.5 | 181.8 | 320.5 | 479.0 | 840.9 |
| | | 80 | 1 | 10.8 | 30.4 | 86.6 | 123.0 | 44.2 | 113.9 | 161.9 | 206.8 | 363.7 | 544.1 | 954.0 | |
| | | | | 11.2 | 31.5 | 89.9 | 127.7 | 45.9 | 118.3 | 168.1 | 214.8 | 377.6 | 565.0 | 990.6 | |
| | | | | 11.6 | 32.8 | 93.4 | 132.7 | 47.7 | 122.9 | 174.7 | 223.2 | 392.4 | 587.1 | 1029.3 | |
| | 0°C (5.2) | 60 | 0.7 | 9.8 | 27.3 | 77.9 | 110.0 | 39.8 | 102.1 | 144.7 | 184.6 | 325.5 | 486.3 | 853.9 | |
| | | | | 80 | 10.1 | 28.4 | 80.9 | 114.2 | 41.4 | 106.0 | 150.2 | 191.7 | 337.9 | 505.0 | 886.6 |
| | | | | 100 | 10.5 | 29.5 | 84.1 | 118.7 | 43.0 | 110.1 | 156.1 | 199.2 | 351.1 | 524.7 | 921.2 |
| | | 80 | 1 | 11.8 | 33.2 | 94.7 | 134.6 | 48.4 | 124.6 | 177.2 | 226.4 | 398.0 | 595.5 | 1044.0 | |
| | | | | 12.3 | 34.5 | 98.4 | 139.8 | 50.2 | 129.4 | 184.0 | 235.0 | 413.3 | 618.3 | 1084.1 | |
| | | | | 12.7 | 35.8 | 102.2 | 145.2 | 52.2 | 134.5 | 191.2 | 244.2 | 429.4 | 642.5 | 1126.4 | |
| 30°C 13.1 bar | -40°C (0.4) | 60 | 0.7 | 6.9 | 19.3 | 55.1 | 77.6 | 28.1 | 72.0 | 102.0 | 130.1 | 229.6 | 342.9 | 602.3 | |
| | | | | 80 | 7.2 | 20.0 | 57.1 | 80.5 | 29.2 | 74.7 | 105.8 | 134.9 | 238.0 | 355.6 | 624.5 |
| | | | | 100 | 7.4 | 20.8 | 59.3 | 83.5 | 30.3 | 77.5 | 109.8 | 140.1 | 247.1 | 369.1 | 648.4 |
| | | 80 | 1 | 8.4 | 23.5 | 66.9 | 94.8 | 34.2 | 87.9 | 124.8 | 159.3 | 280.5 | 419.4 | 735.8 | |
| | | | | 8.7 | 24.3 | 69.4 | 98.3 | 35.4 | 91.1 | 129.4 | 165.2 | 290.8 | 434.9 | 762.9 | |
| | | | | 9.0 | 25.3 | 72.0 | 102.1 | 36.8 | 94.6 | 134.3 | 171.5 | 301.9 | 451.5 | 792.0 | |
| | -20°C (2.1) | 60 | 0.7 | 7.8 | 21.7 | 61.9 | 87.2 | 31.6 | 80.9 | 114.6 | 146.2 | 257.9 | 385.2 | 676.6 | |
| | | | | 80 | 8.0 | 22.5 | 64.1 | 90.4 | 32.8 | 83.9 | 118.8 | 151.5 | 267.4 | 399.4 | 701.5 |
| | | | | 100 | 8.3 | 23.4 | 66.6 | 93.8 | 34.0 | 87.1 | 123.3 | 157.3 | 277.6 | 414.7 | 728.3 |
| | | 80 | 1 | 9.4 | 26.3 | 75.1 | 106.4 | 38.3 | 98.6 | 140.0 | 178.7 | 314.6 | 470.4 | 825.3 | |
| | | | | 9.7 | 27.3 | 77.8 | 110.3 | 39.8 | 102.2 | 145.1 | 185.3 | 326.2 | 487.8 | 855.7 | |
| | | | | 10.1 | 28.3 | 80.8 | 114.5 | 41.3 | 106.1 | 150.7 | 192.4 | 338.6 | 506.4 | 888.4 | |
| | 0°C (5.2) | 60 | 0.7 | 8.5 | 23.9 | 68.2 | 96.1 | 34.9 | 89.2 | 126.3 | 161.1 | 284.3 | 424.7 | 745.9 | |
| | | | | 80 | 8.9 | 24.8 | 70.7 | 99.6 | 36.1 | 92.5 | 131.0 | 167.1 | 294.8 | 440.3 | 773.4 |
| | | | | 100 | 9.2 | 25.8 | 73.4 | 103.4 | 37.5 | 96.0 | 136.0 | 173.4 | 306.0 | 457.1 | 802.9 |
| | | 80 | 1 | 10.3 | 29.0 | 82.7 | 117.1 | 42.2 | 108.5 | 154.1 | 196.8 | 346.4 | 518.0 | 908.7 | |
| | | | | 10.7 | 30.1 | 85.7 | 121.4 | 43.8 | 112.5 | 159.8 | 204.0 | 359.2 | 537.1 | 942.2 | |
| | | | | 11.1 | 31.2 | 89.0 | 126.1 | 45.5 | 116.8 | 165.9 | 211.8 | 372.9 | 557.6 | 978.2 | |
| 35°C 15.1 bar | -40°C (0.4) | 60 | 0.7 | 6.0 | 16.7 | 47.7 | 67.1 | 24.4 | 62.3 | 88.2 | 112.4 | 198.5 | 296.5 | 520.9 | |
| | | | | 80 | 6.2 | 17.3 | 49.3 | 69.4 | 25.2 | 64.5 | 91.2 | 116.4 | 205.5 | 306.8 | 539.0 |
| | | | | 100 | 6.4 | 18.0 | 51.2 | 72.0 | 26.2 | 66.9 | 94.6 | 120.7 | 213.1 | 318.2 | 559.0 |
| | | 80 | 1 | 7.2 | 20.3 | 57.9 | 81.8 | 29.6 | 75.9 | 107.6 | 137.4 | 242.1 | 361.8 | 635.0 | |
| | | | | 7.5 | 21.0 | 59.9 | 84.7 | 30.6 | 78.5 | 111.4 | 142.2 | 250.5 | 374.4 | 657.2 | |
| | | | | 7.8 | 21.8 | 62.1 | 87.8 | 31.7 | 81.4 | 115.5 | 147.4 | 259.8 | 388.3 | 681.5 | |
| | -20°C (2.1) | 60 | 0.7 | 6.8 | 19.0 | 54.1 | 76.1 | 27.7 | 70.7 | 100.0 | 127.6 | 225.2 | 336.3 | 590.9 | |
| | | | | 80 | 7.0 | 19.7 | 56.0 | 78.8 | 28.6 | 73.1 | 103.5 | 132.0 | 233.1 | 348.1 | 611.6 |
| | | | | 100 | 7.3 | 20.4 | 58.1 | 81.7 | 29.7 | 75.9 | 107.4 | 136.9 | 241.7 | 361.0 | 634.2 |
| | | 80 | 1 | 8.2 | 23.0 | 65.5 | 92.7 | 33.5 | 85.9 | 121.9 | 155.6 | 274.2 | 409.8 | 719.3 | |
| | | | | 8.5 | 23.8 | 67.8 | 95.9 | 34.7 | 88.9 | 126.2 | 161.0 | 283.7 | 424.1 | 744.4 | |
| | | | | 8.8 | 24.7 | 70.4 | 99.5 | 35.9 | 92.2 | 130.8 | 167.0 | 294.3 | 439.8 | 772.0 | |
| | 0°C (5.2) | 60 | 0.7 | 7.5 | 21.1 | 60.1 | 84.5 | 30.7 | 78.5 | 111.1 | 141.7 | 250.1 | 373.5 | 656.3 | |
| | | | | 80 | 7.8 | 21.8 | 62.2 | 87.5 | 31.8 | 81.2 | 115.0 | 146.6 | 258.9 | 386.6 | 679.2 |
| | | | | 100 | 8.1 | 22.6 | 64.5 | 90.7 | 33.0 | 84.2 | 119.2 | 152.0 | 268.5 | 400.9 | 704.3 |
| | | 80 | 1 | 9.1 | 25.5 | 72.7 | 102.8 | 37.2 | 95.3 | 135.2 | 172.6 | 304.1 | 454.6 | 797.8 | |
| | | | | 9.4 | 26.4 | 75.3 | 106.4 | 38.5 | 98.7 | 140.0 | 178.6 | 314.7 | 470.4 | 825.7 | |
| | | | | 9.8 | 27.4 | 78.0 | 110.3 | 39.9 | 102.3 | 145.1 | 185.2 | 326.4 | 487.9 | 856.3 | |

Note: Shading is for readability purposes only.

Condenser Bypass Capacities – A9 & A8_0

A9 and A8_0 – Condenser Bypass Capacities (Tons)

R-507

| Cond Temp °F Sat Pressure psig | Evaporator Temperature (Sat Pres) psig | Discharge Temp °F | Pressure Drop psi | A9 3/8" 9mm | A9 5/8" 15mm | A9 7/8" 22mm | A9 1-1/8" 28mm | A8A0E 3/8" 9mm | A8A0E 5/8" 15mm | A8A0E 7/8" 22mm | A810E 1-1/8" 28mm | A810E 1-3/8" 35mm | A820E 1-5/8" 42mm | A820E 2-1/8" 54mm | | |
|--------------------------------------|--|----------------------|-------------------------|-------------------|--------------------|--------------------|----------------------|----------------------|-----------------------|-----------------------|-------------------------|-------------------------|-------------------------|-------------------------|-------|-------|
| 75°F 167.0 psig | -40°F (5.5) | 140 | 10 | 2.3 | 6.4 | 18.4 | 25.9 | 9.4 | 24.0 | 34.1 | 43.5 | 76.6 | 114.5 | 201.0 | | |
| | | | | 180 | 2.4 | 6.7 | 19.2 | 27.1 | 10.0 | 25.7 | 36.4 | 46.4 | 81.9 | 122.4 | 214.9 | |
| | | | | 220 | 2.5 | 7.0 | 20.1 | 28.3 | 10.5 | 26.8 | 38.0 | 48.5 | 85.6 | 127.8 | 224.5 | |
| | | 180 | 15 | 2.8 | 8.0 | 22.8 | 32.5 | 11.7 | 30.1 | 42.8 | 54.6 | 96.0 | 143.7 | 251.9 | | |
| | | | | 140 | 3.0 | 8.4 | 23.9 | 34.0 | 12.5 | 32.1 | 45.7 | 58.4 | 102.7 | 153.6 | 269.3 | |
| | | | | 220 | 3.1 | 8.8 | 25.0 | 35.5 | 13.0 | 33.6 | 47.8 | 61.0 | 107.2 | 160.5 | 281.3 | |
| | 0°F (35.2) | 140 | 10 | 2.6 | 7.2 | 20.5 | 28.9 | 10.5 | 26.8 | 38.0 | 48.5 | 85.6 | 127.9 | 224.6 | | |
| | | | | 180 | 2.7 | 7.5 | 21.4 | 30.3 | 11.2 | 28.7 | 40.7 | 51.9 | 91.5 | 136.7 | 240.1 | |
| | | | | 220 | 2.8 | 7.9 | 22.4 | 31.6 | 11.7 | 30.0 | 42.5 | 54.2 | 95.6 | 142.8 | 250.8 | |
| | | 180 | 15 | 3.2 | 8.9 | 25.5 | 36.2 | 13.0 | 33.5 | 47.7 | 60.9 | 107.1 | 160.3 | 281.0 | | |
| | | | | 140 | 3.3 | 9.3 | 26.7 | 37.9 | 13.9 | 35.9 | 51.0 | 65.2 | 114.5 | 171.4 | 300.4 | |
| | | | | 220 | 3.5 | 9.8 | 27.9 | 39.6 | 14.5 | 37.5 | 53.3 | 68.1 | 119.6 | 179.0 | 313.9 | |
| | 40°F (87.8) | 140 | 10 | 2.8 | 7.9 | 22.5 | 31.8 | 11.5 | 29.5 | 41.8 | 53.3 | 94.1 | 140.6 | 246.8 | | |
| | | | | 180 | 2.9 | 8.3 | 23.6 | 33.2 | 12.3 | 31.5 | 44.7 | 57.0 | 100.6 | 150.2 | 263.8 | |
| | | | | 220 | 3.1 | 8.6 | 24.6 | 34.7 | 12.9 | 32.9 | 46.7 | 59.6 | 105.1 | 157.0 | 275.6 | |
| | | 180 | 15 | 3.5 | 9.8 | 28.0 | 39.8 | 14.3 | 36.8 | 52.4 | 66.9 | 117.6 | 176.0 | 308.5 | | |
| | | | | 140 | 3.6 | 10.3 | 29.3 | 41.6 | 15.3 | 39.4 | 56.0 | 71.5 | 125.7 | 188.1 | 329.8 | |
| | | | | 220 | 3.8 | 10.7 | 30.6 | 43.5 | 16.0 | 41.1 | 58.5 | 74.7 | 131.3 | 196.5 | 344.5 | |
| | 95°F 226.0 psig | -40°F (5.5) | 140 | 10 | 1.8 | 5.0 | 14.1 | 19.8 | 7.2 | 18.4 | 26.1 | 33.2 | 58.7 | 87.6 | 154.0 | |
| | | | | | 180 | 1.8 | 5.2 | 14.7 | 20.7 | 7.7 | 19.6 | 27.8 | 35.4 | 62.5 | 93.3 | 164.0 |
| | | | | | 220 | 1.9 | 5.4 | 15.3 | 21.6 | 8.0 | 20.5 | 29.0 | 36.9 | 65.2 | 97.4 | 171.1 |
| | | | 180 | 15 | 2.2 | 6.1 | 17.5 | 24.7 | 8.9 | 22.9 | 32.5 | 41.5 | 73.1 | 109.3 | 191.8 | |
| | | | | | 140 | 2.3 | 6.4 | 18.2 | 25.8 | 9.5 | 24.4 | 34.7 | 44.2 | 77.9 | 116.5 | 204.4 |
| | | | | | 220 | 2.4 | 6.7 | 19.0 | 26.9 | 9.9 | 25.5 | 36.2 | 46.1 | 81.3 | 121.5 | 213.3 |
| 0°F (35.2) | | 140 | 10 | 2.0 | 5.6 | 16.0 | 22.6 | 8.2 | 20.9 | 29.6 | 37.8 | 66.7 | 99.7 | 175.1 | | |
| | | | | 180 | 2.1 | 5.9 | 16.7 | 23.5 | 8.7 | 22.3 | 31.6 | 40.3 | 71.1 | 106.2 | 186.6 | |
| | | | | 220 | 2.2 | 6.1 | 17.5 | 24.5 | 9.1 | 23.3 | 32.9 | 42.0 | 74.2 | 110.8 | 194.7 | |
| | | 180 | 15 | 2.5 | 7.0 | 19.9 | 28.1 | 10.1 | 26.0 | 36.9 | 47.1 | 83.0 | 124.1 | 217.9 | | |
| | | | | 140 | 2.6 | 7.3 | 20.7 | 29.3 | 10.8 | 27.7 | 39.3 | 50.2 | 88.5 | 132.3 | 232.1 | |
| | | | | 220 | 2.7 | 7.6 | 21.6 | 30.6 | 11.3 | 28.9 | 41.1 | 52.4 | 92.3 | 138.0 | 242.2 | |
| 40°F (87.8) | | 140 | 10 | 2.2 | 6.3 | 17.9 | 25.1 | 9.1 | 23.3 | 33.0 | 42.1 | 74.3 | 111.0 | 195.1 | | |
| | | | | 180 | 2.3 | 6.5 | 18.6 | 26.2 | 9.7 | 24.9 | 35.2 | 44.9 | 79.2 | 118.3 | 207.8 | |
| | | | | 220 | 2.4 | 6.8 | 19.4 | 27.3 | 10.2 | 25.9 | 36.7 | 46.8 | 82.6 | 123.4 | 216.8 | |
| | | 180 | 15 | 2.8 | 7.8 | 22.1 | 31.2 | 11.3 | 29.0 | 41.1 | 52.4 | 92.4 | 138.1 | 242.4 | | |
| | | | | 140 | 2.9 | 8.1 | 23.0 | 32.6 | 12.0 | 30.9 | 43.8 | 55.9 | 98.4 | 147.2 | 258.3 | |
| | | | | 220 | 3.0 | 8.4 | 24.0 | 34.0 | 12.6 | 32.2 | 45.7 | 58.3 | 102.7 | 153.5 | 269.5 | |
| 115°F 301.0 psig | | -40°F (5.5) | 140 | 10 | 1.3 | 3.7 | 10.7 | 15.0 | 5.5 | 13.9 | 19.7 | 25.1 | 44.3 | 66.1 | 116.3 | |
| | | | | | 180 | 1.4 | 3.9 | 11.1 | 15.5 | 5.8 | 14.7 | 20.8 | 26.5 | 46.9 | 70.0 | 123.0 |
| | | | | | 220 | 1.4 | 4.0 | 11.5 | 16.2 | 6.0 | 15.3 | 21.7 | 27.6 | 48.8 | 72.8 | 128.1 |
| | | | 180 | 15 | 1.7 | 4.7 | 13.2 | 18.7 | 6.8 | 17.3 | 24.5 | 31.3 | 55.2 | 82.5 | 144.9 | |
| | | | | | 140 | 1.7 | 4.8 | 13.7 | 19.4 | 7.2 | 18.3 | 26.0 | 33.1 | 58.4 | 87.3 | 153.3 |
| | | | | | 220 | 1.8 | 5.0 | 14.3 | 20.1 | 7.5 | 19.1 | 27.0 | 34.5 | 60.8 | 90.9 | 159.6 |
| | 0°F (35.2) | 140 | 10 | 1.6 | 4.4 | 12.5 | 17.5 | 6.4 | 16.3 | 23.0 | 29.3 | 51.8 | 77.3 | 136.0 | | |
| | | | | 180 | 1.6 | 4.5 | 12.9 | 18.2 | 6.8 | 17.2 | 24.3 | 31.0 | 54.8 | 81.8 | 143.8 | |
| | | | | 220 | 1.7 | 4.7 | 13.5 | 18.9 | 7.0 | 17.9 | 25.3 | 32.3 | 57.1 | 85.2 | 149.7 | |
| | | 180 | 15 | 1.9 | 5.4 | 15.5 | 21.8 | 7.9 | 20.2 | 28.6 | 36.5 | 64.4 | 96.2 | 169.0 | | |
| | | | | 140 | 2.0 | 5.6 | 16.0 | 22.6 | 8.4 | 21.4 | 30.3 | 38.6 | 68.2 | 101.8 | 178.8 | |
| | | | | 220 | 2.1 | 5.9 | 16.7 | 23.5 | 8.7 | 22.3 | 31.5 | 40.2 | 71.0 | 106.0 | 186.2 | |
| | 40°F (87.8) | 140 | 10 | 1.8 | 5.0 | 14.2 | 19.9 | 7.3 | 18.5 | 26.1 | 33.3 | 58.9 | 87.9 | 154.5 | | |
| | | | | 180 | 1.8 | 5.2 | 14.7 | 20.6 | 7.7 | 19.6 | 27.6 | 35.2 | 62.3 | 93.0 | 163.5 | |
| | | | | 220 | 1.9 | 5.4 | 15.3 | 21.5 | 8.0 | 20.4 | 28.8 | 36.7 | 64.9 | 96.8 | 170.2 | |
| | | 180 | 15 | 2.2 | 6.2 | 17.5 | 24.7 | 9.0 | 22.9 | 32.5 | 41.4 | 73.1 | 109.2 | 191.8 | | |
| | | | | 140 | 2.3 | 6.4 | 18.2 | 25.6 | 9.5 | 24.3 | 34.4 | 43.8 | 77.4 | 115.5 | 203.0 | |
| | | | | 220 | 2.4 | 6.6 | 18.9 | 26.7 | 9.9 | 25.3 | 35.8 | 45.6 | 80.5 | 120.3 | 211.3 | |

Note: Shading is for readability purposes only.

Condenser Bypass Capacities - A9 & A8_0

A9 & A8_0 – Condenser Bypass Capacities (Kilowatts)

R-507

| Cond Temp °C Sat Pressure bar | Evaporator Temperature (Sat Pres) bar | Discharge Temp °C | Pressure Drop psi | A9 3/8" 9mm | A9 5/8" 15mm | A9 7/8" 22mm | A9 1-1/8" 28mm | A8AOE 3/8" 9mm | A8AOE 5/8" 15mm | A8AOE 7/8" 22mm | A810E 1-1/8" 28mm | A810E 1-3/8" 35mm | A820E 1-5/8" 42mm | A820E 2-1/8" 54mm |
|-------------------------------------|---|----------------------|-------------------------|-------------------|--------------------|--------------------|----------------------|----------------------|-----------------------|-----------------------|-------------------------|-------------------------|-------------------------|-------------------------|
| 25°C 11.6 bar | -40°C (0.4) | 60 | 0.7 | 8.3 | 23.4 | 66.6 | 94.0 | 34.0 | 87.2 | 123.6 | 157.7 | 278.1 | 415.5 | 729.6 |
| | | 80 | | 8.7 | 24.4 | 69.4 | 98.0 | 35.5 | 90.9 | 128.8 | 164.3 | 289.8 | 433.0 | 760.3 |
| | | 100 | | 9.1 | 25.4 | 72.3 | 102.0 | 37.0 | 94.7 | 134.2 | 171.2 | 301.9 | 451.0 | 792.0 |
| | | 60 | 1 | 10.1 | 28.4 | 80.9 | 114.8 | 41.3 | 106.3 | 151.1 | 193.0 | 339.5 | 507.8 | 890.5 |
| | | 80 | | 10.5 | 29.6 | 84.3 | 119.6 | 43.0 | 110.8 | 157.5 | 201.2 | 353.8 | 529.3 | 928.1 |
| | | 100 | | 10.9 | 30.8 | 87.8 | 124.6 | 44.8 | 115.4 | 164.1 | 209.5 | 368.5 | 551.3 | 966.8 |
| | -20°C (2.1) | 60 | 0.7 | 9.2 | 25.9 | 73.8 | 104.1 | 37.7 | 96.6 | 136.9 | 174.6 | 307.9 | 460.1 | 807.9 |
| | | 80 | | 9.6 | 27.0 | 76.9 | 108.5 | 39.3 | 100.6 | 142.6 | 182.0 | 320.9 | 479.5 | 841.9 |
| | | 100 | | 10.0 | 28.1 | 80.1 | 113.0 | 40.9 | 104.8 | 148.6 | 189.5 | 334.3 | 499.4 | 877.0 |
| | | 60 | 1 | 11.2 | 31.4 | 89.4 | 127.0 | 45.7 | 117.6 | 167.1 | 213.5 | 375.5 | 561.7 | 985.0 |
| | | 80 | | 11.6 | 32.7 | 93.2 | 132.3 | 47.6 | 122.6 | 174.2 | 222.5 | 391.3 | 585.4 | 1026.5 |
| | | 100 | | 12.1 | 34.1 | 97.1 | 137.8 | 49.6 | 127.7 | 181.4 | 231.7 | 407.6 | 609.8 | 1069.3 |
| | 0°C (5.2) | 60 | 0.7 | 10.1 | 28.3 | 80.6 | 113.7 | 41.2 | 105.5 | 149.5 | 190.7 | 336.3 | 502.4 | 882.3 |
| | | 80 | | 10.5 | 29.5 | 84.0 | 118.5 | 42.9 | 109.9 | 155.8 | 198.7 | 350.5 | 523.6 | 919.4 |
| | | 100 | | 10.9 | 30.7 | 87.5 | 123.4 | 44.7 | 114.5 | 162.2 | 207.0 | 365.0 | 545.4 | 957.7 |
| | | 60 | 1 | 12.2 | 34.2 | 97.6 | 138.5 | 49.8 | 128.3 | 182.4 | 232.9 | 409.7 | 612.9 | 1074.7 |
| | | 80 | | 12.7 | 35.7 | 101.7 | 144.4 | 51.9 | 133.7 | 190.1 | 242.8 | 427.0 | 638.7 | 1120.0 |
| | | 100 | | 13.2 | 37.2 | 105.9 | 150.4 | 54.1 | 139.3 | 198.0 | 252.9 | 444.8 | 665.3 | 1166.7 |
| 30°C 13.5 bar | -40°C (0.4) | 60 | 0.7 | 7.3 | 20.6 | 58.6 | 82.5 | 29.9 | 76.6 | 108.5 | 138.4 | 244.2 | 364.7 | 640.7 |
| | | 80 | | 7.6 | 21.4 | 61.0 | 85.9 | 31.2 | 79.8 | 113.0 | 144.1 | 254.3 | 379.8 | 667.1 |
| | | 100 | | 8.0 | 22.3 | 63.5 | 89.5 | 32.5 | 83.1 | 117.6 | 150.0 | 264.7 | 395.4 | 694.5 |
| | | 60 | 1 | 8.9 | 24.9 | 70.9 | 100.5 | 36.2 | 93.1 | 132.2 | 168.8 | 297.1 | 444.3 | 779.5 |
| | | 80 | | 9.2 | 25.9 | 73.9 | 104.6 | 37.7 | 97.0 | 137.7 | 175.7 | 309.4 | 462.6 | 811.7 |
| | | 100 | | 9.6 | 27.0 | 76.9 | 108.9 | 39.3 | 101.0 | 143.3 | 183.0 | 322.1 | 481.7 | 845.1 |
| | -20°C (2.1) | 60 | 0.7 | 8.2 | 22.9 | 65.3 | 92.0 | 33.4 | 85.4 | 120.9 | 154.3 | 272.2 | 406.6 | 714.3 |
| | | 80 | | 8.5 | 23.9 | 68.0 | 95.8 | 34.8 | 88.9 | 125.9 | 160.6 | 283.5 | 423.4 | 743.7 |
| | | 100 | | 8.9 | 24.9 | 70.8 | 99.8 | 36.2 | 92.6 | 131.1 | 167.2 | 295.1 | 440.8 | 774.3 |
| | | 60 | 1 | 9.9 | 27.7 | 79.0 | 111.9 | 40.4 | 103.7 | 147.2 | 187.9 | 330.9 | 494.8 | 868.0 |
| | | 80 | | 10.3 | 28.9 | 82.3 | 116.5 | 42.0 | 108.0 | 153.3 | 195.7 | 344.6 | 515.2 | 903.9 |
| | | 100 | | 10.7 | 30.0 | 85.7 | 121.3 | 43.8 | 112.4 | 159.6 | 203.7 | 358.7 | 536.4 | 941.1 |
| | 0°C (5.2) | 60 | 0.7 | 9.0 | 25.2 | 71.7 | 101.0 | 36.7 | 93.8 | 132.8 | 169.4 | 298.9 | 446.5 | 784.3 |
| | | 80 | | 9.4 | 26.2 | 74.7 | 105.2 | 38.2 | 97.7 | 138.3 | 176.4 | 311.3 | 464.9 | 816.6 |
| | | 100 | | 9.7 | 27.3 | 77.8 | 109.5 | 39.7 | 101.7 | 144.0 | 183.6 | 324.0 | 484.0 | 850.2 |
| | | 60 | 1 | 10.8 | 30.4 | 86.7 | 122.7 | 44.3 | 113.7 | 161.5 | 206.2 | 363.0 | 542.7 | 952.2 |
| | | 80 | | 11.3 | 31.7 | 90.2 | 127.8 | 46.1 | 118.4 | 168.2 | 214.7 | 378.0 | 565.2 | 991.6 |
| | | 100 | | 11.7 | 33.0 | 94.0 | 133.1 | 48.0 | 123.3 | 175.1 | 223.5 | 393.5 | 588.4 | 1032.3 |
| 35°C 15.6 bar | -40°C (0.4) | 60 | 0.7 | 6.5 | 18.2 | 51.7 | 72.8 | 26.5 | 67.6 | 95.6 | 122.0 | 215.4 | 321.6 | 565.0 |
| | | 80 | | 6.8 | 18.9 | 53.8 | 75.7 | 27.5 | 70.3 | 99.5 | 126.8 | 224.0 | 334.4 | 587.7 |
| | | 100 | | 7.0 | 19.7 | 56.0 | 78.8 | 28.6 | 73.1 | 103.5 | 132.0 | 233.0 | 347.9 | 611.4 |
| | | 60 | 1 | 7.8 | 22.0 | 62.6 | 88.4 | 32.0 | 82.0 | 116.3 | 148.4 | 261.6 | 391.0 | 686.3 |
| | | 80 | | 8.1 | 22.8 | 65.1 | 92.0 | 33.3 | 85.3 | 121.0 | 154.4 | 272.1 | 406.7 | 713.8 |
| | | 100 | | 8.5 | 23.8 | 67.7 | 95.7 | 34.6 | 88.7 | 125.9 | 160.6 | 283.1 | 423.1 | 742.6 |
| | -20°C (2.1) | 60 | 0.7 | 7.3 | 20.4 | 58.1 | 81.8 | 29.7 | 76.0 | 107.5 | 137.1 | 242.1 | 361.4 | 635.1 |
| | | 80 | | 7.6 | 21.2 | 60.5 | 85.1 | 30.9 | 79.0 | 111.8 | 142.6 | 251.8 | 375.9 | 660.5 |
| | | 100 | | 7.9 | 22.1 | 62.9 | 88.5 | 32.2 | 82.2 | 116.3 | 148.3 | 261.9 | 391.1 | 687.1 |
| | | 60 | 1 | 8.8 | 24.6 | 70.2 | 99.3 | 35.9 | 92.1 | 130.6 | 166.6 | 293.6 | 438.9 | 770.4 |
| | | 80 | | 9.1 | 25.6 | 73.1 | 103.3 | 37.3 | 95.8 | 135.8 | 173.3 | 305.4 | 456.5 | 801.3 |
| | | 100 | | 9.5 | 26.7 | 76.0 | 107.4 | 38.8 | 99.6 | 141.3 | 180.3 | 317.8 | 474.9 | 833.6 |
| | 0°C (5.2) | 60 | 0.7 | 8.1 | 22.6 | 64.2 | 90.4 | 32.8 | 83.9 | 118.8 | 151.5 | 267.4 | 399.3 | 701.7 |
| | | 80 | | 8.4 | 23.5 | 66.8 | 94.0 | 34.2 | 87.3 | 123.5 | 157.5 | 278.2 | 415.3 | 729.8 |
| | | 100 | | 8.7 | 24.4 | 69.5 | 97.8 | 35.5 | 90.8 | 128.5 | 163.9 | 289.4 | 432.1 | 759.2 |
| | | 60 | 1 | 9.7 | 27.2 | 77.5 | 109.6 | 39.6 | 101.6 | 144.1 | 183.9 | 324.1 | 484.4 | 850.3 |
| | | 80 | | 10.1 | 28.3 | 80.6 | 114.0 | 41.2 | 105.7 | 149.9 | 191.3 | 337.1 | 503.9 | 884.4 |
| | | 100 | | 10.5 | 29.4 | 83.9 | 118.6 | 42.9 | 110.0 | 155.9 | 199.0 | 350.7 | 524.2 | 920.1 |

Note: Shading is for readability purposes only.

Hot Gas Bypass

Hot gas bypass is a method of compressor capacity control that has been utilized in the refrigeration and air conditioning industry for many years. A significant number of refrigeration and air conditioning systems operate at full capacity no more than 20% of their running time. As a result, many compressors operating above fifteen horsepower are equipped with cylinder unloading devices whereby the capacity of the compressor can effectively be reduced. The need for automatic hot gas bypass becomes evident, however, for those systems having compressors that do not possess cylinder unloading, or for those systems with unloading capability, but without or lacking suction pressure control between the last stage of unloading and 0% capacity.

A hot gas bypass system is designed to **artificially** load the compressor upon a decrease in evaporator load for one or more of the following reasons:

- To prevent the operation of the compressor at unacceptably low

suction pressures, which could result in oil pumping, compressor cycling, temperature variation, and eventual compressor or motor failure.

- To prevent a significant drop in evaporator temperature where constant conditions are required.
- To prevent the frosting of the evaporator coil, which can cause a loss of capacity due to the restricted air flow.

Basic hot gas bypass systems are illustrated in Figures 4 and 5.

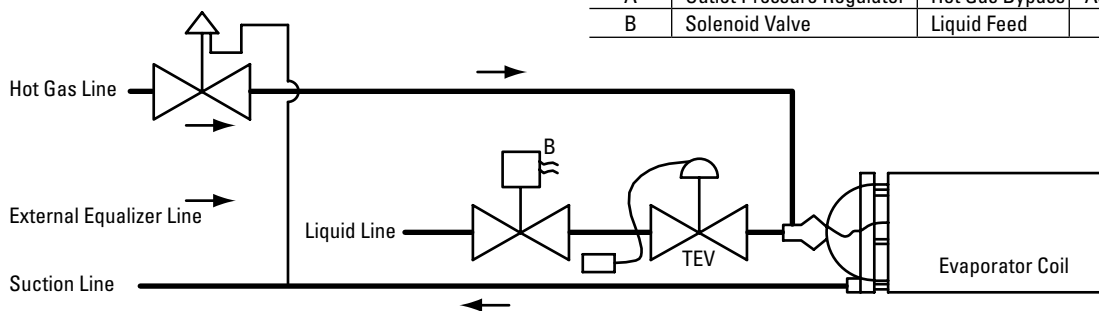
A portion of the refrigerant discharge gas is bypassed around the condenser and thermostatic expansion valve, effectively reducing the flow of refrigerant available for cooling. In addition to the reduction in refrigeration effect due to the reduced liquid refrigerant flow through the condenser and expansion valve, the heat content of the hot gas bypassed compared to the suction gas will add load, further reducing the refrigeration effect of the evaporator.

Compressor suction pressure is the

principal condition being controlled with any hot gas bypass system. Therefore, whenever discharge gas is introduced into the inlet of the evaporator by means of a hot gas bypass regulator, the regulator must be used with an external equalizer connected to the compressor suction main, and at a point downstream of any evaporator pressure regulator which may be used. In this manner, any pressure drop conditions due to distributors, evaporator circuiting, or valves will not affect the operation of the hot gas bypass regulator.

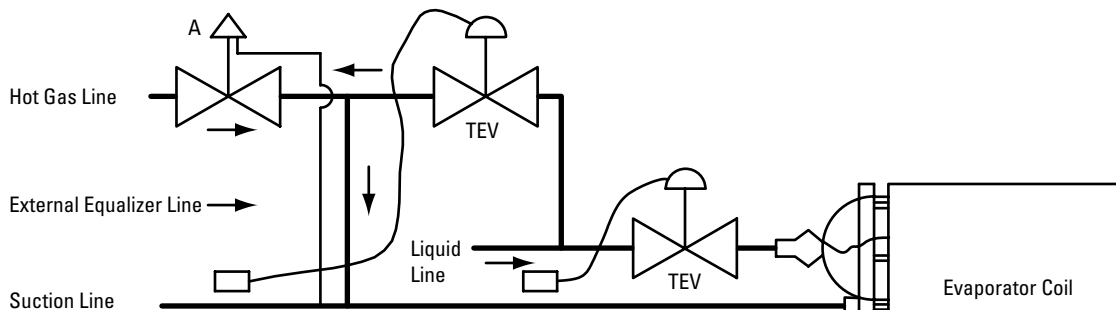
The two commercial regulators recommended for hot gas bypass applications are the Refrigerating Specialties A9E, and A8_OE series. The A9E is physically the smaller of the two valve types, covering port sizes of 3/8" through 1-1/8", and was originally designed specifically for hot gas bypass applications. The A8 series covers three different body sizes, the A8AOE, A81OE, and A82OE, and cover a much larger capacity range, with port sizes as large as 2-1/8".

Figure 4 — Hot gas bypass to entrance of evaporator. See page 62 for symbols legend.



| Valve Legend | | | | |
|--------------|---------------------------|----------------|-------------|----------------|
| Label | Valve Function | Application | Design | Selection Page |
| A | Outlet Pressure Regulator | Hot Gas Bypass | A9 or A8_OE | 63 |
| B | Solenoid Valve | Liquid Feed | SC | 63 |

Figure 5 — Hot gas bypass to suction with liquid injection. See page 62 for symbol legend.



Hot Gas Bypass Capacities – A9 & A8_0

A9 & A8_0 – Hot Gas Bypass Capacities (Tons)

R-22

| Cond Temp °F | Discharge Temp °F | A9 3/8" | A9 5/8" | A9 7/8" | A9 1-1/8" | A8AOE 3/8" | A8AOE 5/8" | A8AOE 7/8" | A810E 1-1/8" | A810E 1-3/8" | A820E 1-5/8" | A820E 2-1/8" |
|--------------|-------------------|---------|---------|---------|-----------|------------|------------|------------|--------------|--------------|--------------|--------------|
| 86°F | 140 | 1.4 | 4.1 | 12.0 | 19.1 | 6.0 | 17.1 | 25.8 | 33.6 | 56.2 | 86.0 | 147.0 |
| | 180 | 1.5 | 4.3 | 12.4 | 19.9 | 6.3 | 17.8 | 26.8 | 34.9 | 58.4 | 89.4 | 152.8 |
| | 220 | 1.5 | 4.5 | 12.9 | 20.6 | 6.5 | 18.5 | 27.8 | 36.2 | 60.6 | 92.7 | 158.6 |
| 100°F | 140 | 1.6 | 4.8 | 13.8 | 22.3 | 7.0 | 19.8 | 30.3 | 39.8 | 65.3 | 100.9 | 170.9 |
| | 180 | 1.7 | 5.0 | 14.4 | 23.3 | 7.3 | 20.7 | 31.7 | 41.6 | 68.3 | 105.5 | 178.7 |
| | 220 | 1.8 | 5.2 | 15.0 | 24.3 | 7.6 | 21.6 | 33.1 | 43.4 | 71.2 | 110.0 | 186.3 |
| 110°F | 140 | 1.8 | 5.2 | 15.1 | 24.4 | 7.6 | 21.7 | 33.2 | 43.8 | 71.5 | 110.5 | 187.0 |
| | 180 | 1.9 | 5.5 | 15.9 | 25.7 | 8.0 | 22.8 | 34.9 | 46.0 | 75.1 | 116.1 | 196.5 |
| | 220 | 1.9 | 5.7 | 16.6 | 26.9 | 8.4 | 23.8 | 36.5 | 48.1 | 78.7 | 121.5 | 205.8 |
| 120°F | 140 | 1.9 | 5.7 | 16.4 | 26.5 | 8.2 | 23.5 | 36.0 | 47.5 | 77.5 | 119.8 | 202.8 |
| | 180 | 2.0 | 6.0 | 17.3 | 28.0 | 8.7 | 24.8 | 38.1 | 50.2 | 81.9 | 126.6 | 214.4 |
| | 220 | 2.1 | 6.3 | 18.2 | 29.4 | 9.2 | 26.1 | 40.0 | 52.8 | 86.2 | 133.2 | 225.5 |

A9 & A8_0 – Hot Gas Bypass Capacities (Kilowatts)

R-22

| Cond Temp °C | Discharge Temp °C | A9 9mm | A9 15mm | A9 22mm | A9 28mm | A8AOE 9mm | A8AOE 15mm | A8AOE 22mm | A810E 28mm | A810E 35mm | A820E 42mm | A820E 54mm |
|--------------|-------------------|--------|---------|---------|---------|-----------|------------|------------|------------|------------|------------|------------|
| 30°C | 60 | 4.9 | 14.6 | 42.1 | 67.3 | 21.2 | 60.2 | 90.6 | 118.0 | 197.5 | 302.5 | 517.1 |
| | 80 | 5.1 | 15.1 | 43.6 | 69.7 | 22.0 | 62.4 | 93.8 | 122.1 | 204.5 | 313.1 | 535.4 |
| | 100 | 5.3 | 15.6 | 45.1 | 72.0 | 22.7 | 64.5 | 97.0 | 126.3 | 211.5 | 323.8 | 553.7 |
| 40°C | 60 | 5.9 | 17.4 | 50.3 | 81.4 | 25.4 | 72.2 | 110.8 | 145.8 | 238.4 | 368.4 | 623.7 |
| | 80 | 6.1 | 18.2 | 52.5 | 84.9 | 26.5 | 75.3 | 115.5 | 152.0 | 248.6 | 384.2 | 650.4 |
| | 100 | 6.4 | 18.9 | 54.6 | 88.3 | 27.5 | 78.4 | 120.2 | 158.1 | 258.7 | 399.7 | 676.6 |
| 45°C | 60 | 6.4 | 18.8 | 54.5 | 88.1 | 27.4 | 78.1 | 119.8 | 157.9 | 257.9 | 398.6 | 674.7 |
| | 80 | 6.7 | 19.7 | 57.0 | 92.2 | 28.7 | 81.8 | 125.5 | 165.4 | 270.1 | 417.4 | 706.7 |
| | 100 | 7.0 | 20.6 | 59.5 | 96.3 | 30.0 | 85.4 | 131.0 | 172.6 | 282.0 | 435.7 | 737.6 |
| 50°C | 60 | 6.8 | 20.2 | 58.4 | 94.5 | 29.4 | 83.8 | 128.6 | 169.4 | 276.7 | 427.6 | 723.9 |
| | 80 | 7.2 | 21.3 | 61.5 | 99.5 | 31.0 | 88.3 | 135.4 | 178.4 | 291.4 | 450.3 | 762.2 |
| | 100 | 7.5 | 22.3 | 64.5 | 104.3 | 32.5 | 92.5 | 141.9 | 187.0 | 305.4 | 471.9 | 798.9 |

A9 & A8_0 – Hot Gas Bypass Capacities (Tons)

R-134a

| Cond Temp °F | Discharge Temp °F | A9 3/8" | A9 5/8" | A9 7/8" | A9 1-1/8" | A8AOE 3/8" | A8AOE 5/8" | A8AOE 7/8" | A810E 1-1/8" | A810E 1-3/8" | A820E 1-5/8" | A820E 2-1/8" |
|--------------|-------------------|---------|---------|---------|-----------|------------|------------|------------|--------------|--------------|--------------|--------------|
| 86°F | 140 | 1.0 | 2.8 | 8.2 | 13.2 | 4.1 | 11.8 | 17.9 | 23.4 | 38.8 | 59.7 | 101.5 |
| | 180 | 1.0 | 3.0 | 8.7 | 14.1 | 4.4 | 12.5 | 19.0 | 24.9 | 41.3 | 63.5 | 108.0 |
| | 220 | 1.1 | 3.2 | 9.2 | 14.9 | 4.7 | 13.3 | 20.2 | 26.4 | 43.7 | 67.3 | 114.4 |
| 100°F | 140 | 1.1 | 3.3 | 9.6 | 15.5 | 4.8 | 13.8 | 21.1 | 27.9 | 45.5 | 70.3 | 119.1 |
| | 180 | 1.2 | 3.6 | 10.3 | 16.6 | 5.2 | 14.8 | 22.7 | 29.8 | 48.8 | 75.3 | 127.6 |
| | 220 | 1.3 | 3.8 | 11.0 | 17.7 | 5.5 | 15.7 | 24.1 | 31.8 | 52.0 | 80.3 | 135.9 |
| 110°F | 140 | 1.2 | 3.7 | 10.6 | 17.2 | 5.4 | 15.3 | 23.4 | 30.8 | 50.4 | 77.8 | 131.7 |
| | 180 | 1.3 | 4.0 | 11.5 | 18.5 | 5.8 | 16.5 | 25.2 | 33.2 | 54.3 | 83.9 | 142.0 |
| | 220 | 1.4 | 4.2 | 12.3 | 19.8 | 6.2 | 17.6 | 27.0 | 35.6 | 58.1 | 89.8 | 152.1 |
| 120°F | 140 | 1.4 | 4.0 | 11.6 | 18.8 | 5.9 | 16.7 | 25.6 | 33.7 | 55.1 | 85.2 | 144.2 |
| | 180 | 1.5 | 4.4 | 12.6 | 20.5 | 6.4 | 18.2 | 27.8 | 36.7 | 59.9 | 92.6 | 156.7 |
| | 220 | 1.6 | 4.7 | 13.6 | 22.0 | 6.9 | 19.5 | 30.0 | 39.5 | 64.5 | 99.7 | 168.7 |

A9 & A8_0 – Hot Gas Bypass Capacities (Kilowatts)

R-134a

| Cond Temp °C | Discharge Temp °C | A9 9mm | A9 15mm | A9 22mm | A9 28mm | A8AOE 9mm | A8AOE 15mm | A8AOE 22mm | A810E 28mm | A810E 35mm | A820E 42mm | A820E 54mm |
|--------------|-------------------|--------|---------|---------|---------|-----------|------------|------------|------------|------------|------------|------------|
| 30°C | 60 | 3.4 | 10.0 | 28.9 | 46.6 | 14.5 | 41.4 | 63.0 | 82.3 | 136.5 | 210.0 | 357.1 |
| | 80 | 3.6 | 10.6 | 30.5 | 49.2 | 15.4 | 43.8 | 66.6 | 87.0 | 144.3 | 222.0 | 377.6 |
| | 100 | 3.8 | 11.1 | 32.2 | 51.9 | 16.2 | 46.1 | 70.2 | 91.7 | 152.1 | 233.9 | 398.0 |
| 40°C | 60 | 4.1 | 12.2 | 35.2 | 57.0 | 17.8 | 50.5 | 77.5 | 102.1 | 166.8 | 257.8 | 436.4 |
| | 80 | 4.4 | 13.0 | 37.6 | 60.8 | 18.9 | 53.9 | 82.7 | 108.9 | 178.0 | 275.0 | 465.5 |
| | 100 | 4.7 | 13.8 | 39.9 | 64.5 | 20.1 | 57.2 | 87.7 | 115.6 | 188.9 | 291.8 | 494.0 |
| 45°C | 60 | 4.5 | 13.3 | 38.5 | 62.2 | 19.4 | 55.2 | 84.6 | 111.5 | 182.2 | 281.5 | 476.6 |
| | 80 | 4.8 | 14.3 | 41.3 | 66.7 | 20.8 | 59.2 | 90.8 | 119.6 | 195.4 | 302.0 | 511.2 |
| | 100 | 5.1 | 15.2 | 44.0 | 71.1 | 22.2 | 63.1 | 96.8 | 127.5 | 208.3 | 321.8 | 544.8 |
| 50°C | 60 | 4.9 | 14.4 | 41.6 | 67.3 | 21.0 | 59.7 | 91.6 | 120.7 | 197.2 | 304.7 | 515.8 |
| | 80 | 5.3 | 15.6 | 45.0 | 72.7 | 22.7 | 64.5 | 99.0 | 130.4 | 213.0 | 329.1 | 557.2 |
| | 100 | 5.6 | 16.7 | 48.2 | 77.9 | 24.3 | 69.1 | 106.0 | 139.6 | 228.1 | 352.5 | 596.7 |

Hot Gas Bypass Capacities – A9 & A8_0

A9 & A8_0 – Hot Gas Bypass Capacities (Tons)

R-404A

| Cond Temp °F | Discharge Temp °F | A9 3/8" | A9 5/8" | A9 7/8" | A9 1-1/8" | A8AOE 3/8" | A8AOE 5/8" | A8AOE 7/8" | A810E 1-1/8" | A810E 1-3/8" | A820E 1-5/8" | A820E 2-1/8" |
|--------------|-------------------|---------|---------|---------|-----------|------------|------------|------------|--------------|--------------|--------------|--------------|
| 86°F | 140 | 1.5 | 4.4 | 12.6 | 20.2 | 6.3 | 18.0 | 27.2 | 35.5 | 59.2 | 90.8 | 155.0 |
| | 180 | 1.6 | 4.7 | 13.6 | 21.8 | 6.9 | 19.5 | 29.4 | 38.3 | 63.9 | 98.0 | 167.3 |
| | 220 | 1.7 | 5.1 | 14.6 | 23.4 | 7.4 | 20.9 | 31.5 | 41.1 | 68.6 | 105.2 | 179.6 |
| 100°F | 140 | 1.6 | 4.9 | 14.0 | 22.7 | 7.1 | 20.1 | 30.8 | 40.5 | 66.4 | 102.6 | 173.6 |
| | 180 | 1.8 | 5.3 | 15.3 | 24.8 | 7.7 | 22.0 | 33.7 | 44.3 | 72.5 | 112.1 | 189.7 |
| | 220 | 1.9 | 5.7 | 16.6 | 26.8 | 8.4 | 23.8 | 36.5 | 48.0 | 78.6 | 121.4 | 205.5 |
| 110°F | 140 | 1.7 | 5.1 | 14.9 | 24.0 | 7.5 | 21.3 | 32.7 | 43.1 | 70.3 | 108.7 | 184.0 |
| | 180 | 1.9 | 5.7 | 16.4 | 26.5 | 8.3 | 23.6 | 36.1 | 47.6 | 77.8 | 120.1 | 203.4 |
| | 220 | 2.1 | 6.2 | 17.9 | 29.0 | 9.0 | 25.7 | 39.5 | 52.0 | 85.0 | 131.3 | 222.2 |
| 120°F | 140 | 1.8 | 5.3 | 15.4 | 24.9 | 7.8 | 22.1 | 33.9 | 44.6 | 72.9 | 112.7 | 190.7 |
| | 180 | 2.0 | 6.0 | 17.3 | 28.0 | 8.7 | 24.9 | 38.1 | 50.2 | 82.0 | 126.8 | 214.6 |
| | 220 | 2.2 | 6.6 | 19.1 | 31.0 | 9.6 | 27.5 | 42.1 | 55.5 | 90.7 | 140.1 | 237.2 |

A9 & A8_0 – Hot Gas Bypass Capacities (Kilowatts)

R-404A

| Cond Temp °C | Discharge Temp °C | A9 9mm | A9 15mm | A9 22mm | A9 28mm | A8AOE 9mm | A8AOE 15mm | A8AOE 22mm | A810E 28mm | A810E 35mm | A820E 42mm | A820E 54mm |
|--------------|-------------------|--------|---------|---------|---------|-----------|------------|------------|------------|------------|------------|------------|
| 30°C | 60 | 5.2 | 15.3 | 44.3 | 71.0 | 22.3 | 63.4 | 95.7 | 124.7 | 208.3 | 319.3 | 545.3 |
| | 80 | 5.5 | 16.4 | 47.5 | 76.0 | 23.9 | 68.0 | 102.5 | 133.6 | 223.2 | 342.1 | 584.2 |
| | 100 | 5.9 | 17.5 | 50.6 | 81.1 | 25.5 | 72.5 | 109.3 | 142.5 | 238.1 | 364.8 | 623.1 |
| 40°C | 60 | 5.9 | 17.5 | 50.6 | 81.8 | 25.5 | 72.6 | 111.3 | 146.6 | 239.5 | 370.1 | 626.6 |
| | 80 | 6.4 | 19.0 | 55.0 | 88.9 | 27.7 | 78.9 | 121.0 | 159.4 | 260.5 | 402.5 | 681.4 |
| | 100 | 6.9 | 20.5 | 59.3 | 96.0 | 29.9 | 85.1 | 130.6 | 171.9 | 281.0 | 434.3 | 735.1 |
| 45°C | 60 | 6.2 | 18.3 | 52.9 | 85.6 | 26.7 | 76.0 | 116.5 | 153.5 | 250.7 | 387.4 | 655.9 |
| | 80 | 6.8 | 20.1 | 58.2 | 94.1 | 29.3 | 83.5 | 128.1 | 168.8 | 275.7 | 426.1 | 721.2 |
| | 100 | 7.4 | 21.9 | 63.3 | 102.4 | 31.9 | 90.9 | 139.3 | 183.6 | 299.9 | 463.4 | 784.4 |
| 50°C | 60 | 6.4 | 18.8 | 54.3 | 87.9 | 27.4 | 78.0 | 119.5 | 157.5 | 257.3 | 397.6 | 673.1 |
| | 80 | 7.1 | 21.0 | 60.7 | 98.2 | 30.6 | 87.1 | 133.6 | 176.1 | 287.6 | 444.4 | 752.4 |
| | 100 | 7.8 | 23.1 | 66.8 | 108.0 | 33.6 | 95.8 | 146.9 | 193.6 | 316.2 | 488.6 | 827.1 |

A9 & A8_0 – Hot Gas Bypass Capacities (Tons)

R-507

| Cond Temp °F | Discharge Temp °F | A9 3/8" | A9 5/8" | A9 7/8" | A9 1-1/8" | A8AOE 3/8" | A8AOE 5/8" | A8AOE 7/8" | A810E 1-1/8" | A810E 1-3/8" | A820E 1-5/8" | A820E 2-1/8" |
|--------------|-------------------|---------|---------|---------|-----------|------------|------------|------------|--------------|--------------|--------------|--------------|
| 86°F | 140 | 1.5 | 4.6 | 13.2 | 21.1 | 6.6 | 18.9 | 28.5 | 37.1 | 62.0 | 95.0 | 162.3 |
| | 180 | 1.7 | 4.9 | 14.3 | 22.9 | 7.2 | 20.5 | 30.8 | 40.2 | 67.2 | 102.9 | 175.8 |
| | 220 | 1.8 | 5.3 | 15.4 | 24.6 | 7.7 | 22.0 | 33.2 | 43.2 | 72.2 | 110.6 | 189.0 |
| 100°F | 140 | 1.7 | 5.1 | 14.8 | 24.0 | 7.5 | 21.3 | 32.6 | 42.9 | 70.3 | 108.6 | 183.8 |
| | 180 | 1.9 | 5.6 | 16.3 | 26.3 | 8.2 | 23.3 | 35.8 | 47.0 | 77.0 | 119.1 | 201.6 |
| | 220 | 2.1 | 6.1 | 17.6 | 28.5 | 8.9 | 25.3 | 38.8 | 51.0 | 83.5 | 129.1 | 218.5 |
| 110°F | 140 | 1.9 | 5.5 | 15.9 | 25.7 | 8.0 | 22.8 | 35.0 | 46.1 | 75.3 | 116.3 | 196.9 |
| | 180 | 2.1 | 6.1 | 17.6 | 28.5 | 8.9 | 25.3 | 38.8 | 51.1 | 83.5 | 129.0 | 218.4 |
| | 220 | 2.3 | 6.7 | 19.3 | 31.1 | 9.7 | 27.6 | 42.4 | 55.8 | 91.2 | 141.0 | 238.6 |
| 120°F | 140 | 2.0 | 5.8 | 16.7 | 27.0 | 8.4 | 24.0 | 36.8 | 48.5 | 79.2 | 122.3 | 207.1 |
| | 180 | 2.2 | 6.5 | 18.8 | 30.5 | 9.5 | 27.0 | 41.5 | 54.6 | 89.3 | 137.9 | 233.5 |
| | 220 | 2.4 | 7.2 | 20.8 | 33.6 | 10.5 | 29.8 | 45.8 | 60.3 | 98.5 | 152.2 | 257.7 |

A9 & A8_0 – Hot Gas Bypass Capacities (Kilowatts)

R-507

| Cond Temp °C | Discharge Temp °C | A9 9mm | A9 15mm | A9 22mm | A9 28mm | A8AOE 9mm | A8AOE 15mm | A8AOE 22mm | A810E 28mm | A810E 35mm | A820E 42mm | A820E 54mm |
|--------------|-------------------|--------|---------|---------|---------|-----------|------------|------------|------------|------------|------------|------------|
| 30°C | 60 | 5.4 | 16.0 | 46.4 | 74.3 | 23.4 | 66.4 | 100.1 | 130.5 | 218.0 | 334.1 | 570.7 |
| | 80 | 5.8 | 17.3 | 49.9 | 79.9 | 25.1 | 71.4 | 107.7 | 140.3 | 234.4 | 359.2 | 613.6 |
| | 100 | 6.2 | 18.4 | 53.3 | 85.3 | 26.9 | 76.3 | 115.0 | 149.8 | 250.4 | 383.7 | 655.5 |
| 40°C | 60 | 6.3 | 18.6 | 53.7 | 86.8 | 27.1 | 77.1 | 118.2 | 155.6 | 254.3 | 393.0 | 665.3 |
| | 80 | 6.9 | 20.3 | 58.6 | 94.8 | 29.5 | 84.1 | 129.0 | 169.8 | 277.6 | 428.9 | 726.1 |
| | 100 | 7.4 | 21.9 | 63.3 | 102.3 | 31.9 | 90.8 | 139.3 | 183.4 | 299.7 | 463.1 | 784.0 |
| 45°C | 60 | 6.6 | 19.7 | 56.9 | 91.9 | 28.7 | 81.6 | 125.1 | 164.8 | 269.3 | 416.1 | 704.4 |
| | 80 | 7.3 | 21.7 | 62.7 | 101.4 | 31.6 | 90.0 | 138.0 | 181.8 | 297.0 | 458.9 | 776.9 |
| | 100 | 8.0 | 23.6 | 68.2 | 110.3 | 34.4 | 97.9 | 150.1 | 197.7 | 323.0 | 499.1 | 844.9 |
| 50°C | 60 | 6.9 | 20.5 | 59.2 | 95.8 | 29.8 | 85.0 | 130.3 | 171.7 | 280.4 | 433.4 | 733.6 |
| | 80 | 7.7 | 22.9 | 66.3 | 107.2 | 33.4 | 95.1 | 145.9 | 192.2 | 313.9 | 485.1 | 821.2 |
| | 100 | 8.5 | 25.2 | 72.8 | 117.7 | 36.7 | 104.4 | 160.1 | 211.0 | 344.6 | 532.5 | 901.5 |

Discharge Regulators for Supermarket Applications

The Parker Refrigerating Specialties Division has built a reputation as a principal supplier of reliable, high side control valves to the supermarket industry. One of the more critical applications on a commercial refrigeration system where hot gas is utilized for defrosting purposes is the use of a regulator in the discharge line. Refrigerating Specialties types A81BL or A82BL have become a standard for many supermarket rack manufacturers specifically for this application.

The “BL” version of an A8 regulator in a discharge application serves two functions. The valve is either in a wide open (or bypassed) position with its solenoid energized to facilitate a minimum pressure drop through the valve when no refrigeration circuits are calling for defrost. In this mode, the valve essentially is acting as a low pressure drop solenoid in an opened position. When a refrigeration circuit begins a defrost sequence

however, the solenoid on the discharge A8_BL regulator is de-energized (via the defrost program), thereby converting the valve into a differential pressure regulator.

A differential regulator communicates outlet pressure into the valve’s bonnet in order to compensate range spring pressure with downstream pressure. The set point of the valve thus becomes the sum of spring pressure plus outlet pressure. Whatever the range spring pressure is set for effectively becomes the pressure difference the valve will maintain from its inlet to outlet. If, for example, the regulator was set to maintain a 25 psi set point, the valve will regulate and maintain an upstream pressure 25 psi higher than its downstream pressure, regardless of fluctuations in downstream pressure. In this application, the regulator ensures that the hot gas pressure supplied to a circuit for defrost purposes will be high enough to overcome the

pressure drop through the supply line, the losses through valves and fittings, and through the evaporator coil. The defrost condensate exits the evaporator and is then introduced, at an elevated pressure, back into the liquid line.

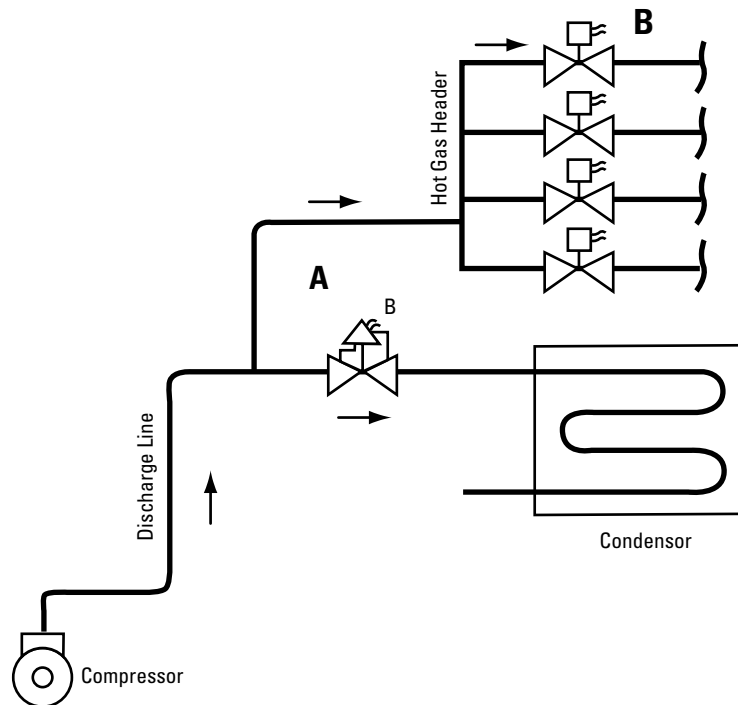
Because each system may vary due to any number of design considerations, the A81BL and A82BL regulators are field adjustable. The regulator can therefore be adjusted to determine the most efficient set point while ensuring that each evaporator defrosts in a timely and thorough manner.

For larger systems that exceed the capacity of the A8 regulator line, Refrigerating Specialties offers a higher capacity flanged valve for discharge applications, the A4AB or A4ABL.

For sizing, please see “Discharge Capacities” on pages 54 – 55.

Figure 6 — Discharge regulator for supermarket applications. See page 62 for symbols legend.

| Valve Legend | | | | |
|--------------|--------------------------|--------------------|--------|----------------|
| Label | Valve Function | Application | Design | Selection Page |
| A | Inlet Pressure Regulator | Discharge Pressure | A8 | 63 |
| B | Solenoid Valve | Liquid Feed | SC | 63 |



Crankcase Pressure Regulators

Crankcase pressure regulators, also known as “CPRs” or “holdback” regulators, are outlet pressure regulators installed in the suction line which prevent an excessive downstream pressure regardless of fluctuations in load or inlet conditions. Flo-Con types A8AOE, A810E, and A820E comprise the line of outlet pressure regulators that can be applied as crankcase pressure regulators.

When system conditions occur that allow suction pressures to increase appreciably above normal operating levels, a crankcase regulator should be applied. Without a downstream regulator, which

effectively throttles down the suction pressure to the compressor, a compressor motor overload condition can occur. Such conditions are likely during pull down after a hot gas defrost period, or during system start-up. An A8-OE outlet regulator will gradually close when the downstream pressure begins to rise above the valve’s set point, and will gradually open when the outlet pressure falls below its set point, effectively preventing the compressor suction pressure from exceeding the regulator’s set point.

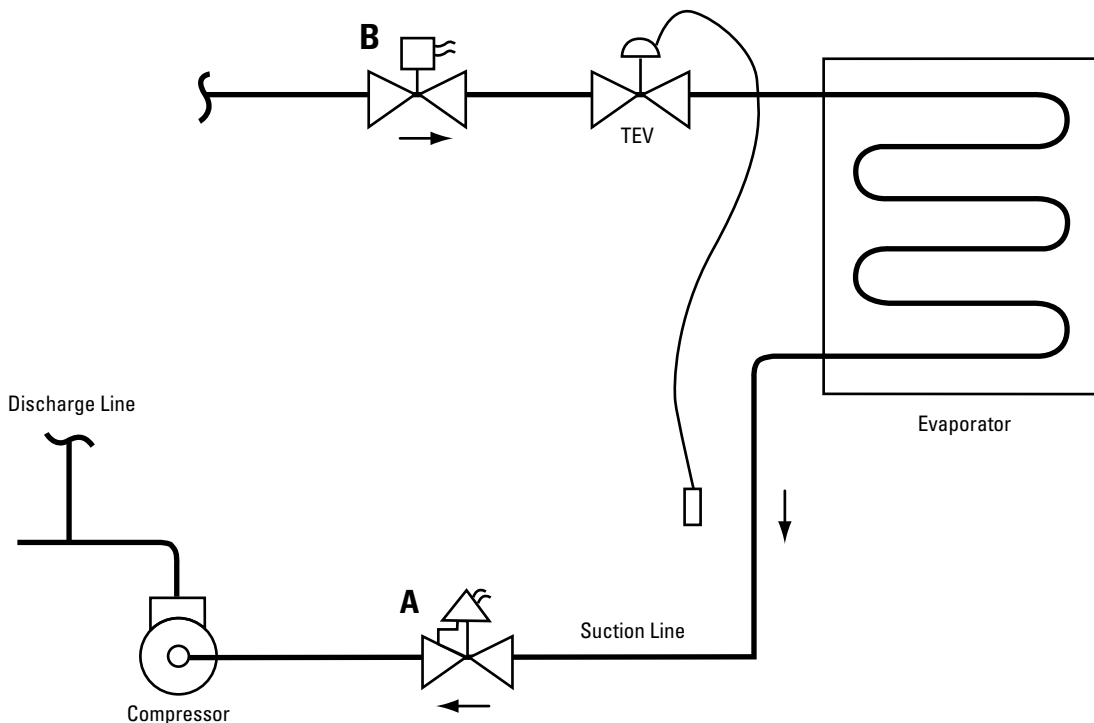
No crankcase regulator can maintain

its set for pressure if branch lines feed into the main suction line downstream of the regulator. For that reason, it is important that no lines feed into the suction line between the regulator and the compressor.

(For sizing, please reference suction capacity charts for A8 regulators on pages 7 through 14.)

Figure 7 — Crankcase pressure regulator application. See page 62 for symbols legend.

| Valve Legend | | | | |
|--------------|---------------------------|--------------------|--------|----------------|
| Label | Valve Function | Application | Design | Selection Page |
| A | Outlet Pressure Regulator | Discharge Pressure | A8 | 63 |
| B | Solenoid Valve | Liquid Feed | SC | 63 |



SC Suction Solenoid Valves

Features and Benefits

- Highest capacity non-flanged valve in the industry
- Available with 208V/240V/60Hz wide range voltage coil
- Low pressure drop, internally pilot operated
- All stainless steel bolts, stem, piston and plug
- Manual opening stem
- Solder in place without disassembly
- Molded class "F" coil construction
- DIN coil assemblies available
- Interchangeable capacity cartridges. Same as those used on (S)PORT EPRs

Specifications

- Design Pressure (M.R.P.): 450 psig (31.0 bar)
- Maximum opening pressure differential (MOPD): 300 psig (20.7 bar). (Except 208/240V/60Hz wide voltage range coil)
- Minimal fluid temperature: -40°F (-40°C)
- UL listed (except 50 Hz versions), file SA5473
- CSA certified, file LR20991-14

Standard Voltages

- 120V/60Hz, 110V/50Hz
- 208V/240V/60Hz, 220V/50Hz
- 240V/50Hz
- 240V/60Hz, 220V/50Hz (DIN)
- 240V/50Hz (DIN)



Nomenclature (Example)

| | | | |
|-------------------------|------------------|--|--|
| SC | 1 or 2 | 11 | 11 |
| Suction Solenoid | Body Size | Port Size in Eighths of an Inch | Connection Size in Eighths of an Inch |

SC Port/Connection Size Combinations*

| Type | Port Size | | | Connection Sizes Available |
|--------------|------------|--------|----|--|
| | Connection | Inches | mm | |
| SC1 or SC-II | 03 | 3/8 | 9 | 07, 09, 11, 13, 17 (7/8"/22mm, 1-1/8"/28mm, 1-3/8"/35mm, 1-5/8"/42mm, 2-1/8"/54mm) |
| | 05 | 5/8 | 15 | 07, 09, 11, 13, 17 (7/8"/22mm, 1-1/8"/28mm, 1-3/8"/35mm, 1-5/8"/42mm, 2-1/8"/54mm) |
| | 07 | 7/8 | 22 | 07, 09, 11, 13, 17 (7/8"/22mm, 1-1/8"/28mm, 1-3/8"/35mm, 1-5/8"/42mm, 2-1/8"/54mm) |
| | 09 | 1-1/8 | 28 | 07, 09, 11, 13, 17 (7/8"/22mm, 1-1/8"/28mm, 1-3/8"/35mm, 1-5/8"/42mm, 2-1/8"/54mm) |
| | 11 | 1-3/8 | 35 | 09, 11, 13, 17 (1-1/8"/28mm, 1-3/8"/35mm, 1-5/8"/42mm, 2-1/8"/54mm) |
| SC2 | 13 | 1-5/8 | 42 | 13, 17, 21 (1-5/8"/42mm, 2-1/8"/54mm, 2-5/8"/66mm) |
| | 17 | 2-1/8 | 54 | 17, 21 (2-1/8"/54mm, 2-5/8"/66mm) |
| | 21 | 2-5/8 | 66 | 21 (2-5/8"/66mm) |

*Note: Completely corrosion resistant SC-II solenoids with aluminum bronze bodies and cartridge assemblies have same port/connection combinations as standard SC solenoids, but are not available in the 13, 17, or 21 port size versions.

Description: The SC series of commercial solenoids was developed as a flexible, low pressure drop, suction line solenoid valve, in a wide range of port and connection sizes. With cartridge (port) sizes available up to 2-5/8" (66mm) in size, SC solenoids offer the greatest capacity of any non-flanged commercial solenoid in the industry. The unique design of the SC solenoid is a mirror image of the (S)PORT regulator line, utilizing the same cartridges, solenoid coil assem-

blies, bodies, and internal parts as those used in the construction of the (S)PORT regulators. With this flexible line of suction line solenoids complementing the complete line of (S)PORT regulators, a wide range of high capacity, suction line refrigeration control valves are now available from a single source.

Along with (S)PORT regulators, SC solenoids are manufactured with ductile iron bodied valves with brazed copper

couplings, and are suitable for most common commercial refrigerants along with certain oils. The SC solenoid may be opened by means of a manual opening stem for servicing or in case of an electrical power failure.

The SC-II series of valves are manufactured with completely corrosion resistant materials including aluminum bronze bodies and cartridge assemblies, and stainless steel adaptor bolts. Cartridges,

SC Suction Solenoid Valves

and solenoids are interchangeable with the (S)PORT-II regulator line.

Variations: SC1/ SC-II Solenoids: Five port sizes, from 3/8" (9mm) through 1-3/8" (35mm). SC2 Solenoid: three port sizes, from 1-5/8" (42mm) through 2-5/8" (66mm).

Installation: SC solenoid valves can be mounted either in a vertical or horizontal line with the refrigerant flow in the direction of the arrow on the body. These valves may be soldered into the line without disassembly. When brazing in line, typically a wet cloth wrapped

around the valve body is recommended to dissipate heat. **If a valve is disassembled prior to installation, always have the correct gasket/ O-ring kit available for reassembly.** The internal cartridge-to-body O-ring will need to be replaced prior to reassembly.

Electrical: SC commercial solenoid valves utilize a molded water resistant Class "F" solenoid coil with an open frame coil housing that meets NEMA 3R and 4 requirements. A class "H" DIN coil is also available with certain voltages. Power consumption during normal operation will be 10.2 watts or less.

All coils except for the 208/240V/60Hz version operate with a 300 psi (20.7 bar) maximum opening pressure differential (MOPD). The 208/240V/60Hz coil operates with a 280 psi (19.3 bar) MOPD.

All coils are designed to operate with a line voltage from 85% to 110% of rated coil voltage. Operating with a line voltage above or below these limits may result in coil burn out.

Ordering Guide: Specify valve type (SC1, SC-II or SC2), port and connection size, coil voltage, and frequency.

Note: For SC valve suction capacity tables, please reference pages 7 - 14 of this catalog.

SC1/SC2 Liquid Capacities in Evaporator Tons

Based on 100°F Condensing, 40°F Evaporator and no flashing through the valve for the pressure drop listed.

| Port Size | R-22 2 psi Pressure Drop | R-22 4 psi Pressure Drop | R-134a 2 psi Pressure Drop | R-134a 4 psi Pressure Drop | R-404A 2 psi Pressure Drop | R-404A 4 psi Pressure Drop | R-507 2 psi Pressure Drop | R-507 4 psi Pressure Drop |
|-------------|--------------------------------|--------------------------------|----------------------------------|----------------------------------|----------------------------------|----------------------------------|---------------------------------|---------------------------------|
| 03 (3/8") | 6 | 9 | 6 | 9 | 4 | 6 | 4 | 6 |
| 05 (5/8") | 14 | 20 | 13 | 19 | 9 | 12 | 9 | 13 |
| 07 (7/8") | 22 | 31 | 21 | 29 | 14 | 19 | 14 | 20 |
| 09 (1-1/8") | 35 | 50 | 33 | 47 | 22 | 31 | 23 | 32 |
| 11 (1-3/8") | 49 | 69 | 46 | 65 | 30 | 43 | 32 | 45 |
| 13 (1-5/8") | 78 | 110 | 73 | 104 | 48 | 68 | 50 | 71 |
| 17 (2-1/8") | 117 | 165 | 110 | 156 | 72 | 102 | 76 | 107 |
| 21 (2-5/8") | 156 | 220 | 147 | 207 | 96 | 136 | 101 | 143 |

SC1/SC2 Liquid Capacities in Evaporator Kilowatts

Based on 37.7°C Condensing, 4.4°C Evaporator and no flashing through the valve for the pressure drop listed.

| Port Size | R-22 0.14 bar Pressure Drop | R-22 0.27 bar Pressure Drop | R-134a 0.14 bar Pressure Drop | R-134a 0.27 bar Pressure Drop | R-404A 0.14 bar Pressure Drop | R-404A 0.27 bar Pressure Drop | R-507 0.14 bar Pressure Drop | R-507 0.27 bar Pressure Drop |
|-----------|-----------------------------------|-----------------------------------|-------------------------------------|-------------------------------------|-------------------------------------|-------------------------------------|------------------------------------|------------------------------------|
| 03 (9mm) | 23 | 32 | 21 | 30 | 14 | 20 | 15 | 21 |
| 05 (15mm) | 50 | 71 | 47 | 67 | 31 | 44 | 32 | 46 |
| 07 (22mm) | 78 | 110 | 73 | 103 | 48 | 68 | 50 | 71 |
| 09 (28mm) | 123 | 174 | 116 | 164 | 76 | 107 | 80 | 113 |
| 11 (35mm) | 172 | 243 | 162 | 229 | 106 | 150 | 111 | 157 |
| 13 (42mm) | 274 | 387 | 258 | 365 | 169 | 239 | 177 | 251 |
| 17 (54mm) | 411 | 581 | 387 | 547 | 253 | 358 | 266 | 376 |
| 21 (66mm) | 548 | 775 | 516 | 729 | 338 | 477 | 354 | 501 |

S81/S82 Solenoid Valves

Features and Benefits

- Highest capacity non-flanged valve in the industry
- Low pressure drop
- Manual opening stem
- Solder in place without disassembly
- Molded class "H" coil construction
- DIN coil assemblies available
- Inlet pressure access fitting
- Interchangeable capacity cartridges

Specifications

- Maximum opening pressure differential (MOPD): 300 psig (20.7 bar).
- Minimal fluid temperature: -40°F (-40°C)
- Design pressure (M.R.P.): 450 psig (31.0 bar)
- UL listed file SA5473
- CSA certified, file LR20991-14

Standard Voltages

- 120V/60Hz, 110V/50Hz
- 240V/60Hz, 220V/50Hz
- 208V/60Hz
- 240V/60Hz, 220V/50Hz (DIN)
- 240V/50Hz (DIN)



Nomenclature (Example)

| | | | |
|-----------------|------------------|----------------------------|----------------------------------|
| S8 | 1 or 2 | 7/8" | 1-1/8" |
| Solenoid | Body Size | Port Size in Inches | Connection Size in Inches |

S8 Port/Connection Size Combinations

| Type | Port Size | | Connection Sizes Available |
|------|-----------|----|---------------------------------------|
| | Inches | mm | |
| S81 | 3/8 | 9 | 7/8"/22mm, 1-1/8"/28mm, 1-3/8"/35mm |
| | 5/8 | 15 | 7/8"/22mm, 1-1/8"/28mm, 1-3/8"/35mm |
| | 7/8 | 22 | 7/8"/22mm, 1-1/8"/28mm, 1-3/8"/35mm |
| | 1-1/8 | 28 | 1-1/8"/28mm, 1-3/8"/35mm, 1-5/8"/42mm |
| | 1-3/8 | 35 | 1-3/8"/35mm, 1-5/8"/42mm, 2-1/8"/54mm |
| S82 | 1-5/8 | 42 | 1-5/8"/42mm, 2-1/8"/54mm, 2-5/8"/66mm |
| | 2-1/8 | 54 | 2-1/8"/54mm, 2-5/8"/66mm |
| | 2-5/8 | 66 | 2-5/8"/66mm |

S81/S82 Solenoid Valves

Description: The S8 series of commercial solenoids was developed as a versatile, general purpose, commercial refrigeration valve, capable of being applied in most liquid, hot gas, or suction applications. With cartridge (port) sizes available up to 2-5/8" (66mm) in size, S8 solenoids offer the greatest capacity of any non-flanged commercial solenoid in the industry. The unique design of the S8 solenoid is a mirror image of the A8 regulator line, utilizing the same cartridges, solenoid coil assemblies, bodies, and internal parts as those used in the construction of the A8's. With this flexible line of commercial solenoids complementing the complete line of commercial A8 regulators, a wide offering of high capacity commercial refrigeration control valves are now available from a single source.

Similar to the A8 regulators, S8

solenoids are manufactured with ductile iron bodies with brazed copper couplings, and are suitable for most common commercial refrigerants along with certain oils. The S8 solenoid may be opened by means of a manual opening stem for servicing or in case of an electrical power failure.

Variations: S81 Solenoid: Five port sizes, from 3/8" (9mm) through 1-3/8". S82 Solenoid: Three port sizes, from 1-5/8" through 2-5/8".

Installation: S8 solenoid valves can be mounted either in a vertical or horizontal line with the refrigerant flow in the direction of the arrow on the body. These valves may be soldered into the line without disassembly. A wet cloth should be wrapped around the valve and the soldering flame should be directed away from the valve body.

If a valve is disassembled prior to installation, always have the correct gasket/O-ring kit available for reassembly. The internal cartridge-to-body O-ring will need to be replaced prior to reassembly

Electrical: S8 commercial solenoid valves utilize a molded water resistant Class "H" solenoid coil with a general purpose coil housing which meets NEMA 3R and 4 requirements. A class "H" DIN coil is also available with certain voltages. Power consumption during normal operation will be 10.2 watts or less. The coils are designed to operate with a line voltage from 85% to 110% of rated coil voltage. Operating with a line voltage above or below these limits may result in coil burn out.

Ordering Guide: Specify valve type (S81 or S82), port and connection size, and coil voltage and frequency.

Note: For S81/S82 valve suction capacity tables, please reference pages 7 - 14 of this catalog.

S81/S82 Liquid Capacities in Evaporator (Tons)

Based on 100°F Condensing, 40°F Evaporator and no flashing through the valve for the pressure drop listed.

| Port Size | R-22 2 psi Pressure Drop | R-22 4 psi Pressure Drop | R-134a 2 psi Pressure Drop | R-134a 4 psi Pressure Drop | R-404A 2 psi Pressure Drop | R-404A 4 psi Pressure Drop | R-507 2 psi Pressure Drop | R-507 4 psi Pressure Drop |
|-----------|--------------------------------|--------------------------------|----------------------------------|----------------------------------|----------------------------------|----------------------------------|---------------------------------|---------------------------------|
| 3/8" | 6 | 9 | 6 | 9 | 4 | 6 | 4 | 6 |
| 5/8" | 14 | 20 | 13 | 19 | 9 | 12 | 9 | 13 |
| 7/8" | 22 | 31 | 21 | 29 | 14 | 19 | 14 | 20 |
| 1-1/8" | 35 | 50 | 33 | 47 | 22 | 31 | 23 | 32 |
| 1-3/8" | 49 | 69 | 46 | 65 | 30 | 43 | 32 | 45 |
| 1-5/8" | 78 | 110 | 73 | 104 | 48 | 68 | 50 | 71 |
| 2-1/8" | 117 | 165 | 110 | 156 | 72 | 102 | 76 | 107 |
| 2-5/8" | 156 | 220 | 147 | 207 | 96 | 136 | 101 | 143 |

S81/S82 Liquid Capacities in Evaporator (Kilowatts)

Based on 37.7°C Condensing, 4.4°C Evaporator and no flashing through the valve for the pressure drop listed.

| Port Size | R-22 0.14 bar Pressure Drop | R-22 0.27 bar Pressure Drop | R-134a 0.14 bar Pressure Drop | R-134a 0.27 bar Pressure Drop | R-404A 0.14 bar Pressure Drop | R-404A 0.27 bar Pressure Drop | R-507 0.14 bar Pressure Drop | R-507 0.27 bar Pressure Drop |
|-----------|-----------------------------------|-----------------------------------|-------------------------------------|-------------------------------------|-------------------------------------|-------------------------------------|------------------------------------|------------------------------------|
| 9mm | 23 | 32 | 21 | 30 | 14 | 20 | 15 | 21 |
| 15mm | 50 | 71 | 47 | 67 | 31 | 44 | 32 | 46 |
| 22mm | 78 | 110 | 73 | 103 | 48 | 68 | 50 | 71 |
| 28mm | 123 | 174 | 116 | 164 | 76 | 107 | 80 | 113 |
| 35mm | 172 | 243 | 162 | 229 | 106 | 150 | 111 | 157 |
| 42mm | 274 | 387 | 258 | 365 | 169 | 239 | 177 | 251 |
| 54mm | 411 | 581 | 387 | 547 | 253 | 358 | 266 | 376 |
| 66mm | 548 | 775 | 516 | 729 | 338 | 477 | 354 | 501 |

Abbreviations and Terminology

Abbreviations

| | |
|---------------------------|---|
| A (Amp) | Ampere |
| BTU/hr | British Thermal Units per Hour |
| BTU/min. | British Thermal Units per Minute |
| °C | Degrees Celsius or Centigrade |
| cm ² (sq. cm) | Square centimeters |
| CPR | Crankcase Pressure Regulator |
| CSA | Canadian Standards Association |
| °F | Degrees Fahrenheit |
| EPR | Evaporator Pressure Regulator |
| ft (') | Feet |
| in (") | Inches |
| hg | Mercury |
| Hz | Hertz (frequency, cycles per second) |
| ID | Inside diameter |
| kcal/h | Kilocalories per hour |
| kg | Kilogram |
| kg/cm ² | Kilogram per square centimeter |
| kW | Kilowatts |
| lbs | Pounds |
| lbs/min | Pounds per minute |
| m | Meter |
| m ³ /h | Cubic meters per hour |
| mm | Millimeter |
| mm hg | Millimeters mercury equivalent vacuum |
| MOPD | Maximum Opening Pressure Differential |
| NEMA | National Electrical Manufacturers Association |
| NPT | National Pipe Thread |
| OD | Outside Diameter |
| ODS | Outside Diameter Sweat or tubing O.D., which can be soldered into fitting |
| psi | Pounds per square inch |
| psig | Pounds per square inch gauge |
| sq. cm (cm ²) | Square centimeters |
| SWP | Safe Working Pressure |
| TEV | Thermostatic Expansion Valve |
| UL | Underwriters Laboratories, Inc. |
| V | Volts |

Explanation of Terminology

Design pressure (SWP): The maximum allowable working pressure for which a valve or regulator is designed.

Evaporator temperature: Saturated temperature in the evaporator.

Maximum fluid temperature: The highest normally allowable internal temperature for a particular valve.

Maximum Opening Pressure Differential: The maximum difference between the pressure at the valve inlet and the pressure at the valve outlet at which a solenoid will open consistently (MOPD).

Minimum fluid temperature: The lowest normally allowable internal temperature for a particular valve assuming a clean, oil-free fluid and the absence of thermal or pressure shock.

Net weight: The weight of a particular valve. Does not include shipping cartons.

Pressure drop: The pressure difference between the pressure at the valve inlet and the pressure at the valve outlet.

Shock: A sudden, violent increase in pressure; can be caused by a rapid change in temperature, pressure, velocity, or direction.

Valve or regulator capacity: All capacities are maximum for the conditions listed at each table. No "reserve capacity" is included in this catalog.

Conversions to metric:

- 1 ton = 200 BTU/min
- 1 ton = 3024kcal/hr
- 1 kW = .2844 ton
- 1 kW = 56.89 BTU/min
- 1 kW = 860 kcal/hr
- 1 bar = 1.0197 kg/cm²
- 1 bar = 14.5 psi
- 1 ATM = .98 bar = 14.7 psi

Control Valve Symbols and Functions



Inlet Pressure Regulator
(Opens on a rise in inlet pressure. Closes when inlet pressure is below set-point)



Outlet Pressure Regulator
(Opens on a drop in outlet pressure. Closes when outlet pressure is above set-point)



Differential Pressure Regulator
(Opens on a rise in pressure difference. Closes when pressure difference is below set-point or above set-point)



Inlet Pressure Regulator w/Electric Shut-off
(Opens on a rise in inlet pressure when energized. Closes when inlet pressure is below set-point or when de-energized)



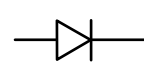
Inlet Pressure Regulator w/Electric Bypass
(Opens on a rise in inlet pressure when de-energized. Wide open when energized)



Inlet Pressure Regulator w/Electric Shut-off and Electric Bypass
(Opens on a rise in inlet pressure when "S" solenoid energized. Wide open with "B" solenoid energized. Closes with both solenoids de-energized)



Solenoid Valve
(Opens when energized. Closes when de-energized)



Check Valve
(Permits flow in one direction)

Parker Refrigerating Specialties

Commercial Control Valves – Selection Guide

| Valve Type | Valve Description | Typical Applications | Reference Bulletin |
|----------------------------|---|---|-------------------------|
| A8A, A81, A82 | Inlet, or Upstream Pressure Regulator | Evaporator Pressure Control Discharge Pressure Regulator Liquid Drain Regulator Defrost Relief Regulator | Bulletin 25-94B |
| A8AS, A81S, A82S | Inlet Pressure Regulator w/Electric Shut-Off Feature | Evaporator Pressure Control | |
| A8AB, A81B, A82B | Inlet Pressure Regulator w/Electric Bypass Feature | Discharge Pressure Regulator | |
| A8AL, A81L, A82L, A4AL | Differential Pressure Regulator | Discharge Pressure Regulator Liquid Feed Regulator | |
| A8ABL, A81BL, A82BL, A4ABL | Differential Pressure Regulator w/ Electric Bypass Feature | Discharge Pressure Regulator Liquid Feed Regulator | |
| A8AOE, A81OE, A82OE | Outlet Pressure Regulator | Crankcase Pressure Regulator Hot Gas Bypass Regulator Receiver Pressure Regulator | Bulletin 25-94B |
| A8AOES, A81OES, A82OES | Outlet Pressure Regulator w/ Electric Shut-Off Feature | Hot Gas Bypass Regulator | |
| PORT, PORT-II | Inlet, or Upstream Pressure Regulator | Evaporator Pressure Control | Bulletins 26-01 & 26-02 |
| (S)PORT, (S)PORT-II | Inlet Pressure Regulator w/ Electric Shut-Off Feature | Evaporator Pressure Control | |
| (S)PORT-B, (S)PORT-II-B | Inlet Pressure Regulator w/ Electric Shut-Off and Bypass Features | Evaporator Pressure Control | |
| A9 | Outlet Pressure Regulator | Receiver Pressure Regulator | Bulletin 25-95D |
| A9E | Outlet Pressure Regulator w/ External Equalizer | Hot Gas Bypass Regulator | |
| A9S | Outlet Pressure Regulator w/ Electric Shut-Off Feature | Receiver Pressure Regulator | |
| A9SE | Outlet Pressure Regulator w/ Electric Shut-Off Feature and External Equalizer | Hot Gas Bypass Regulator | |
| CK4A | Flanged in Line Check Valve | Liquid Drain Check Valve Condenser Bypass Check Valve | Bulletin 50-16C |
| SC1, SC2 | Suction Line Solenoid Valves | Control (open/close) of Suction Lines for Defrost | Bulletin 33-00 |
| S81, S82 | General Purpose Refrigeration Solenoid Valve | Control (open/close) of Suction Lines Hot Gas Feed Solenoid Liquid Supply Solenoid | Bulletin 32-00 |



CLIMATE CONTROL

- Accumulators
- CO₂ controls
- Electronic controllers
- Filter-driers
- Hand shut-off valves
- Heat exchangers
- Hose & fittings
- Pressure regulating valves
- Refrigerant distributors
- Safety relief valves
- Solenoid valves
- Thermostatic expansion valves



AEROSPACE

- Flight control systems & components
- Fluid conveyance systems
- Fluid metering delivery & atomization devices
- Fuel systems & components
- Hydraulic systems & components
- Inert nitrogen generating systems
- Pneumatic systems & components
- Wheels & brakes



ELECTROMECHANICAL

- AC/DC drives & systems
- Electric actuators, gantry robots & slides
- Electrohydraulic actuation systems
- Electromechanical actuation systems
- Human machine interfaces
- Linear motors
- Stepper motors, servo motors, drives & controls
- Structural extrusions



FILTRATION

- Analytical gas generators
- Compressed air & gas filters
- Condition monitoring
- Engine air, fuel & oil filtration & systems
- Hydraulic, lubrication & coolant filters
- Process, chemical, water & microfiltration filters
- Nitrogen, hydrogen & zero air generators



FLUID & GAS HANDLING

- Brass fittings & valves
- Diagnostic equipment
- Fluid conveyance systems
- Industrial hose
- PTFE & PFA hose, tubing & plastic fittings
- Quick disconnects
- Rubber & thermoplastic hose & couplings
- Tube fittings & adapters



HYDRAULICS

- Diagnostic equipment
- Hydraulic cylinders & accumulators
- Hydraulic motors & pumps
- Hydraulic systems
- Hydraulic valves & controls
- Power take-offs
- Quick disconnects
- Rubber & thermoplastic hose & couplings
- Tube fittings & adapters



PNEUMATICS

- Air preparation
- Brass fittings & valves
- Manifolds
- Pneumatic actuators, grippers, valves, controls & accessories
- Quick disconnects
- Rotary actuators
- Rubber & thermoplastic hose & couplings
- Structural extrusions
- Thermoplastic tubing & fittings
- Vacuum generators, cups & sensors



PROCESS CONTROL

- Analytical sample conditioning products & systems
- Fluoropolymer chemical delivery fittings, valves & pumps
- High purity gas delivery fittings, valves & regulators
- Instrumentation fittings, valves & regulators
- Medium pressure fittings & valves
- Process control manifolds



SEALING & SHIELDING

- Dynamic seals
- Elastomeric o-rings
- EMI shielding
- Extruded & precision-cut, fabricated elastomeric seals
- Homogeneous & inserted elastomeric shapes
- High temperature metal seals
- Metal & plastic retained composite seals
- Thermal management

Parker Hannifin Corporation
Refrigerating Specialties Division
 2445 South 25th Avenue
 Broadview, Illinois 60155-3858 USA
 phone 708 681 6300 • fax 708 681 6306

Parker Hannifin Corporation
Refrigerating Specialties Division
 1040 Parker Drive
 Mauston, Wisconsin 53948 USA
 phone 608 847 6233 • fax 608 847 4672
www.parker.com/refspec

208 / Catalog F-2

