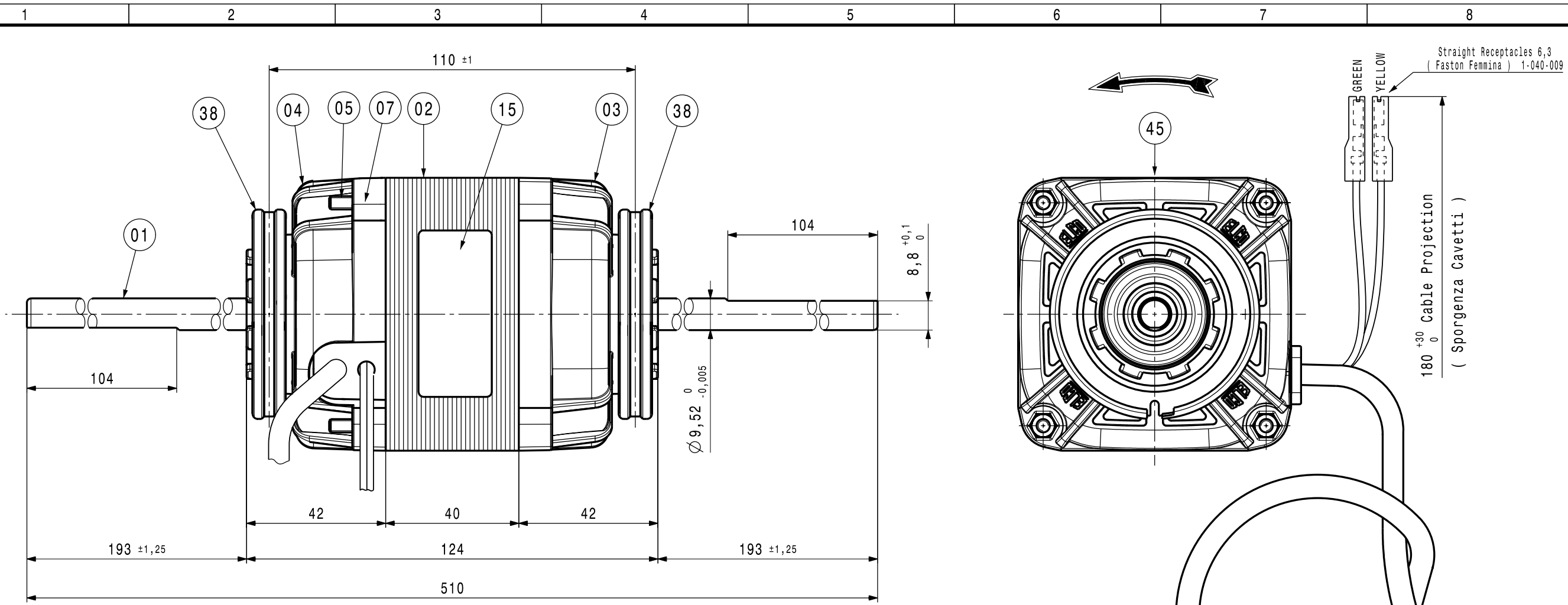
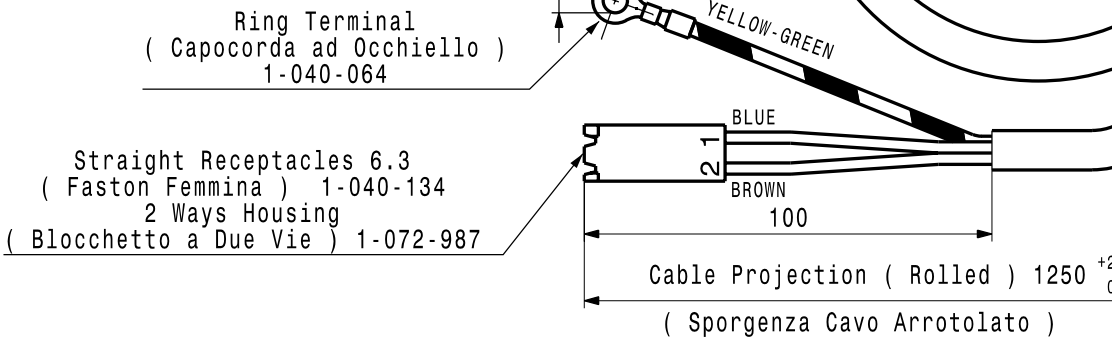


DRAWING MADE BY
CAD
HAND MADE MODIFICATIONS ARE FORBIDDEN



Caution :
In application to assemble with :
(In applicazione assemblare con :)
N°1 SUPPORT COD.1-045-1042
N°2 SPRING COD.1-050-086



CLASS "B" MOTOR - SLEEVE BEARING MANUFACTURED (Motore in Classe "B" - Esecuzione a Bronzine)	
AXIAL CLEARANCE (Gioco Assiale)	0,5 - 2,5 mm
COVER - CABLE SIDE (Coperchio Lato Cavi)	CLOSED (Chiuso)
COVER - OPPOSITE CABLE SIDE (Lato Opposto Cavi)	CLOSED (Chiuso)
ASSEMBLY SPECIFICATION (Normativa Note di Montaggio)	EL.UN.0002
MECHANICAL SPECIFICATION (Normativa di Controllo Meccanico)	EL.CM.0001
ELECTRICAL SPECIFICATION (Controllo Elettrico con Prescrizione N°)	M.2025/3

CODE: BTNB41TB0237
TYPE: 1BT 45-40-1V NA
230/240V- 50/60Hz TH.PROT. INS.CL.B
C=2,5µ 450VL 40/130W 0,60A 1100Rpm
C=3,15µ 450VL 45/145W 0,65W 1100Rpm
← ROTATION →

BLUE	LINE
BROWN	LINE
YELLOW	~
GREEN	⊖ C
YELLOW/GREEN	⊕

DATA



Rel	Date	Description	Executor signature	Checked
M O D I F I C A T I O N S				
1	2	3	4	

For dim. without tolerance see standard UNI EN 22768-mK	Treatment	A3	Release
Material	Material		
ELCO logo	Drawn Pedrini R. Date 24-02-2009 Check T.Sirtori Scale ---	SINGLE PHASE MOTOR (Motore Monofase) 230/240V - 50/60Hz 1BT 45-40-1V NA	
Weight		Ref.No	
		BTNB41TB0237	